




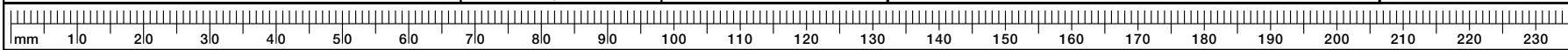

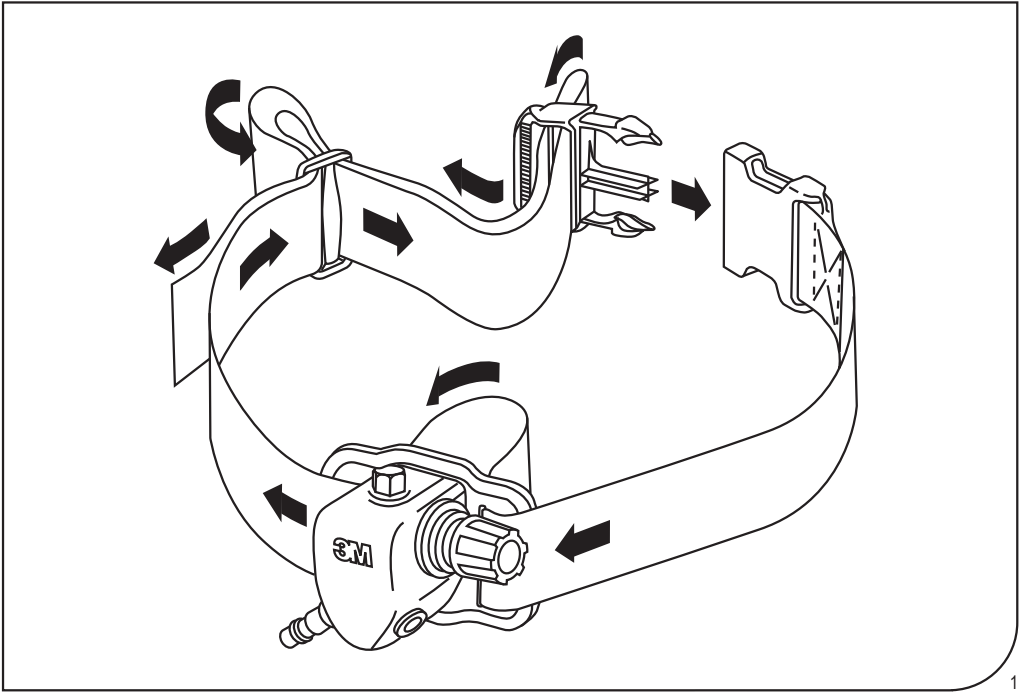


<p>Description: PSD - S-200+ Booklet UI - SLG</p> <p>FG Stock No.: n/a Pkg Spec No.: DV-2563-0421-8_Iss1 Pkg Structure No.: n/a Barcode No: n/a Size/BWR: n/a Dimensions: 148mm x 210mm / 5.82" x 8.26" Folded Size: n/a File name: O-AICS4-MAC10-DV-2563-0421-8_Iss1.ai</p> 	<p>Job No: 162785 Rev. Date: 19/05/2014 Operator: 29 Process: n/a</p> <p>Version 2 Regions 1 Itarus 0</p>	<p>File No: 76708 Rev. Time: 11:30</p> <p>Asset ID: 10218</p> <p>UC C3neWA</p>	<p>Itarus House, Tenter Road, Moulton Park, Northampton NN3 6PZ</p> <p>Need help? Contact us: +44 (0)1604 468100 mail@itarus.com www.itarus.com</p>   	<p>Colours: 1</p>  <p>Black</p>
				
				

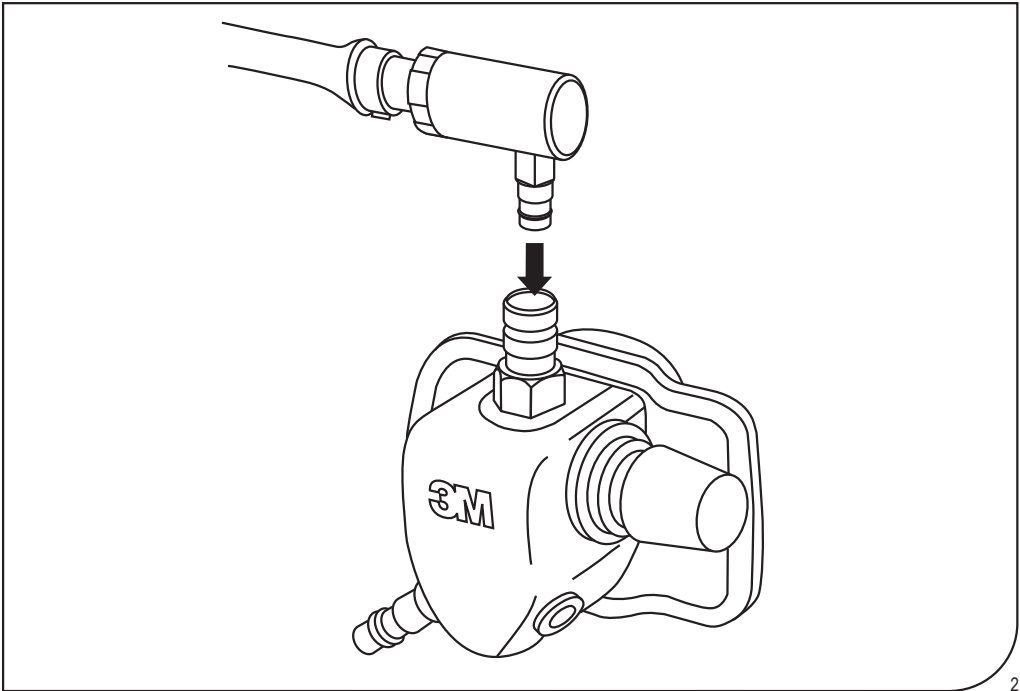
**ALL TEXT AND STYLE MAPPING USED IN THIS DOCUMENT
HAS BEEN EXTRACTED FROM APPROVED TEXT IN TEXTURES.
PLEASE MAKE ANY AMENDMENTS TO THIS DOCUMENT USING
TEXTURES AND ADD A COMMENT TO THE ARA ASSET, TO SAY
THIS HAS BEEN DONE. THE DOCUMENT WILL THEN BE
RE-MERGED.**



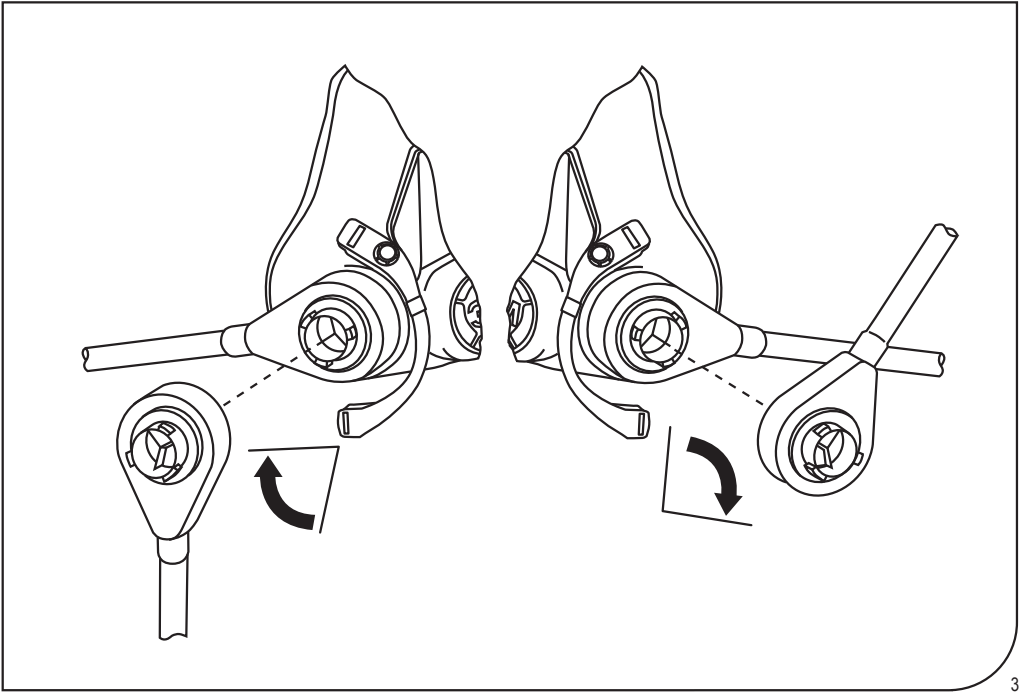
(GB) (IE) (ZA) (AE) 3M™ Supplied Air Respirator System S-200+ (06972)	5-7	(GR) 3M™ Σύστημα Παροχής Αέρα Απο Τρίτη Πηγή S-200+ (06972)	38-40	(RO) Sistem de aductie de aer 3M™ S-200+ (06972)	68-70
(FR) (CH) (BE) Système à adduction d'air 3M™ S-200+ (06972).	8-10	(PL) 3M™ Aparat węzowy sprężonego powietrza S-200+(06972)	41-43	(RU) (BY) (AZ) 3M™ Система респираторной защиты с постоянной подачей воздуха S-200+ (06972)	71-73
(DE) (CH) (AT) 3M™ Druckluft-AtenschutzsystemS- 200+ (06972)	11-13	(HU) 3M™ S-200+ nyomólevégős légzésvédő rendszer (06972)	44-46	(UA) 3M™ Система подачи повітря S-200+ (06972)	74-76
(IT) (CH) Sistema ad aria compressa 3M™ S-200+ (06972)	14-16	(CZ) 3M™ Přetlakový systém s přívodem vzduchu S-200+ (06972)	47-49	(HR) 3M™ Sistem za oskrbljivanje zrakom S-200+ (06972)	77-79
(ES) 3M™ S-200+ (06972) Sistema de Suministro de Aire	17-19	(SK) 3M™ Systém regulátora prívodu vzduchu S-200+ (06972)	50-52	(BG) 3M™ Система за респираторна защита с подаване на компресиран въздух S-200+ (06972)	80-82
(NL) (BE) 3M™ Verseluchtstysteem S-200+ (06972)	20-22	(SI) 3M™ Respirator z dovajanjem zraka S-200+(06972)	53-55	(RS) 3M™ Sistem za dovod vazduha S-200+06972	83-85
(SE) 3M™ tryckluftssystem S-200+(06 972)	23-25	(IL) מערכת נשימה שמתחברת לאספקת אוויר של 3M™, S-200+ (06972)	56-58	(TR) 3M™ havalandırma sistemi S-200+06972	86-88
(DK) 3M™ S-200+ Trykluftforsynet åndedrætssystem (06972)	26-28	(EE) 3M™ Suruõhusüsteem S-200+(06 972)	59-61	(KZ) 3M™ Ауа тасымалдайтын респираторлық жүйесі S-200+(06972)	89-91
(NO) 3M™ Trykkluftdrevet åndedrettsvern S-200+ (06972)	29-31	(LV) 3M™ Saspiesta gaisa padeves sistēma S-200+(06972)	62-64	(AU) (NZ) 3M™ Supplied Air Respirator System S-200+ (06972)	92-94
(FI) 3M™ Paineilmajärjestelmä S-200+06972	32-34	(LT) 3M™ S-200+ (06972) Tiekiamo oro srauto reguliatorius	65-67		
(PT) 3M™ Sistema Respiratório de Ar Assistido S-200+ (06972)	35-37				



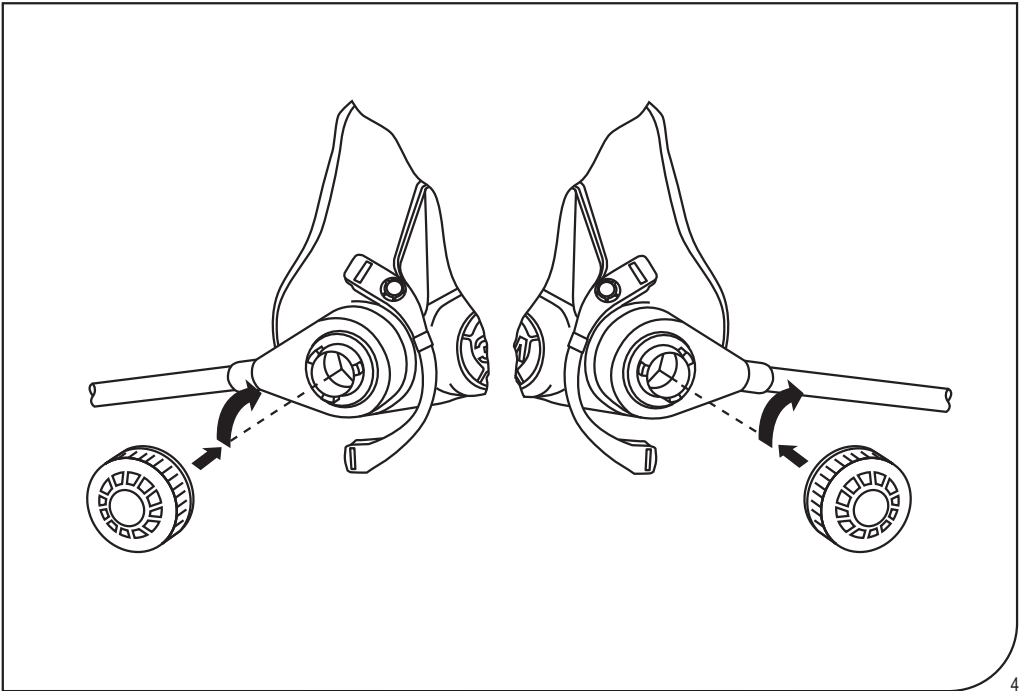
1



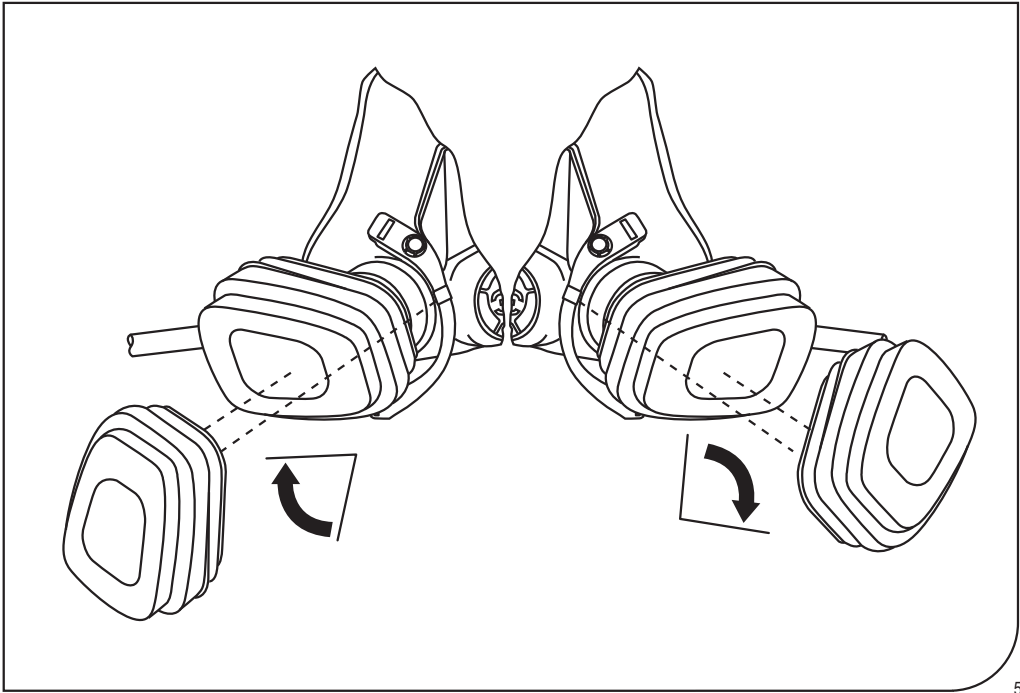
2



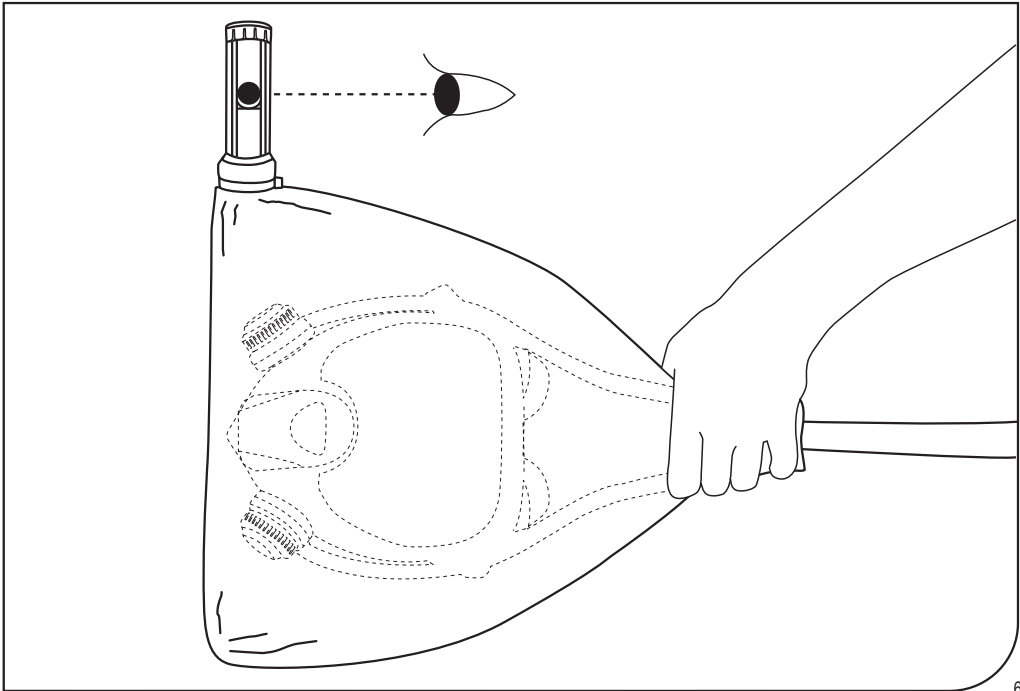
3



4



5



6



Please read this User Instruction and Reference Leaflet in conjunction with the appropriate 3M™ Facepiece or 3M™ Filter User Instruction where you will find information on:

Approved combinations of 3M™ Face masks and 3M™ Filters

- Spare parts
- Accessories

⚠ Particular attention should be given to warning statements where indicated.

UNPACKING

Your 3M™ Supplied Air Regulator S-200+ should contain:

- a) Regulator assembly (S-212)
- b) Breathing tube (S-222)
- c) Belt
- d) Overflow Valves
- e) Flow Check Device (FCB-01)

SYSTEM DESCRIPTION

The 3M™ Supplied Air Regulator S-200+ is designed to be used in conjunction with an approved 3M™ Face Piece (See reference leaflet).

This product meets the requirements of EN14594 (Respiratory protective devices – Continuous flow compressed air line breathing apparatus).

The adjustable regulator/flow control unit is waist mounted and fitted with an inlet plug and an auxiliary outlet port capable of accepting paint spray equipment or pneumatic tools.

The Supplied Air Regulator is designed and approved for use in Dual-mode or Supplied Air mode with the 3M™ Face Pieces and Filters shown in the Reference Leaflet.

Dual Mode

- In this mode, the appropriate particulate and/or gas and vapour filters are fitted to the breathing tube.
- The attached filters will provide protection when the compressed air supply is disconnected or when air supply connection is not possible (e.g entry to and exit from contaminated areas).
- The user must select filters capable of providing protection against the contaminant.
- A pair of identical filters must be used at all times.
- The effective life of a pair of filters will vary depending on the level of contaminant, work rate, exposure time etc. Filters should be replaced when the wearer can detect breakthrough of the contaminant by taste or smell. Regular filter replacement before any contaminant is detected is however highly recommended.
- Gas and Vapour filters must be replaced as a pair even if no contaminant is detected, within 1 month. If in any doubt, always replace the filters with a new pair.
- Further instructions and warnings concerning the selection, use and replacement of filters in this mode will be found in the Filter and Face Piece user instructions.
- Excess air may flow out through the filters, either at higher regulator settings or during exhalation.
- Excess moisture in the air supply may adversely affect filter life.
- **Only filters designed for half masks can be used with the 3M breathing tube as shown in the Reference Leaflet.**

Supplied Air Mode

- The 3M™ Supplied Air Regulator S-200+ together with 3M™ Face Pieces with bayonet connectors can be used in supplied air mode, using an external source of breathable quality compressed air.
- Excess air may flow out of the overflow valves at higher regulator settings or during exhalation.

⚠ WARNING

- **Proper selection, training, use and appropriate maintenance are essential in order for the product to help protect the wearer from certain airborne contaminants. Failure to follow all instructions on the use of these respiratory protection products and/or failure to properly wear the complete product during all periods of exposure may adversely affect the wearer's health, lead to severe or life threatening illness or permanent disability.**
- For suitability and proper use follow local regulations, refer to all information supplied or contact a safety professional or 3M on 0870 60 800 60 (UK) or 1800 320 500 (Ireland).

See all instructions for use and save for continuing reference.

Use this respirator system strictly in accordance with all instructions:

- contained in this booklet
- accompanying other components of the system
- Do not use in concentrations of contaminant above those specified in the Technical Specification.
- Do not use for respiratory protection against unknown atmospheric contaminants or when concentrations of contaminants are unknown or immediately dangerous to life or health (IDLH).
- Do not use in atmospheres containing less than 19.5% oxygen. (3M definition. Individual countries may apply their own limits on oxygen deficiency. Seek advice if in doubt).
- Only use with the Face Pieces, Filters, Spares and Accessories listed in the Reference Leaflet and within the usage conditions given in the Technical Specification.
- Only for use by trained, competent personnel.
- Leave the contaminated area immediately if:
 - a) Any part of the system becomes damaged.
 - b) Airflow to the facepiece decreases or stops.
 - c) Breathing becomes difficult.
 - d) Dizziness or other distress occurs.
 - e) You smell or taste contaminants or irritation occurs.
- Never modify or alter this product. Replace parts only with original 3M spare parts.
- Do not use oxygen or oxygen-enriched air.
- In case of intended use in explosive atmospheres, contact 3M Technical Service.
- When used in temperatures below +4°C, the moisture content of the breathing air should be controlled to avoid it freezing the apparatus.
- Always ensure that:
 - the source of air supply is known;
 - the purity of the air supply is known;
 - the air supply is of a breathable quality, to EN12021.
- Ensure the capacity of the air supply system is sufficient for every user connected to it.
- If it is intended to drive pneumatic accessories via the auxiliary port, always ensure that at least minimum flow conditions to the face piece are met when the accessory is consuming its maximum airflow requirement.

The minimum pressure required when using an air tool is 4.5 Bar. For more information on air tool compatibility please contact 3M.

• When in use this product is capable of producing excessive noise levels at the ear. Hearing protection should be made available as required.

- At very high work rates, the pressure inside the Face Piece may become negative at peak inhalation flow.
- This product should only be used in work situations where the risk of damage to the compressed air supply tube is low and where movements of the wearer are limited. The compressed air supply should be equipped with an appropriately rated and adjusted pressure relief safety valve.
- The regulator is fitted with double action safety couplings. Take care when disconnecting the breathing tube and Compressed Air Supply Tube. Always ensure that double action couplings are used together. The breathing tube is marked S-222 and the coupling on the regulator is marked 'S' to indicate that double action safety fittings are used.
- These units are not to be used with mobile compressed air supply systems
- If any air leaks are detected whilst the system is in use, leave the contaminated area immediately and under no circumstance attempt to stop the leak with any part of the body.
- Do not remove the sealing rings as this could adversely affect the performance of the system.

⚠ Do not use with beards or other facial hair that may inhibit contact between the face and the product thus preventing a good seal.

- The system must not be used with filters attached where there is a possibility of accidental water immersion.
- The system should be checked and filters replaced should the unit or filters be exposed to flames.
- Materials which may come into contact with the wearer's skin are not known to cause allergic reactions to the majority of individuals.
- This product contains no components made from natural rubber latex.

MARKING

For Face Piece marking please see appropriate user instruction.

The S-212 Regulator is marked to EN14594 4B and EN14594 3B and with a date of manufacture.

The Compressed Air Supply Tubes are marked to EN14594. They are also marked as follows:

308-00-40P is marked A - suitable for use with Class A devices (EN14594).
308-00-72P is marked 'Heat Resistant' and 'Anti static'.

PREPARATION FOR USE

Check apparatus is complete, undamaged and correctly assembled. Any damaged or defective parts must be replaced with original 3M spare parts before use.

Undertake pre-use checks on the facepiece as outlined in the appropriate user instructions.

Make sure that the sealing rings are in place prior to use.

Ensure that the accessory plug is fitted and replaced correctly after use.

Assembly

1. Fit the belt to the regulator as shown in Figure 1.
2. Fit the breathing tube to the regulator as shown in Figure 2.
3. Fit the breathing tube to the face piece as shown in Figure 3.

NOTE: Ensure that the 3M symbol on the 'Y' piece of the breathing tube is facing up to ensure correct alignment of the breathing tube.

4. If the system is to be used in the SUPPLIED AIR MODE, then a pair of OVERFLOW VALVES MUST BE FITTED to the breathing tube (See Figure 4). If the system is to be used in the DUAL MODE then a pair of CORRECT FILTERS MUST BE FITTED to the breathing tube (See Figure 5).
5. Connect the compressed air supply tube between the optional 3M Aircare - Air Filtration Unit and the S-200+ Regulator, ensuring the pressure at the Air Filtration Unit is adjusted as described in section, Technical Specifications.
6. Before use, adjust the regulator to its lowest flow setting and undertake an airflow check using the airflow check bag (See Figure 6). Ensure that a good seal is formed with your hand around the opening in the bag.

OPERATING INSTRUCTIONS

DONNING

1. Adjust and buckle the waistbelt with the regulator fitted comfortably around your waist.
2. Adjust and fit the facepiece as outlined in the appropriate user instruction.
3. Ensure at least minimum airflow into the facepiece is achieved and adjust the airflow of the regulator for maximum comfort.

IN USE

If during use the air supply stops or is reduced, vacate the contaminated area immediately and investigate the cause.

Take care to prevent the breathing tube from becoming looped around protruding objects. If this should occur vacate the contaminated area and check apparatus is undamaged.

The 'in-use' life of the product will vary with frequency and conditions of use.

In everyday use, it is recommended that the product is discarded after approximately 5 years service, provided the product is stored and maintained as stated below.

Some extreme conditions may result in deterioration over a shorter period.

DOFFING

Do not remove the facepiece, filters or, when in Supplied Air mode, turn off the air supply until you have vacated the contaminated area.

1. Remove the facepiece, in accordance with the relevant user instructions.
2. Disconnect the compressed air supply tube from the regulator.
3. Unbuckle the waist belt.

NOTE

Do not disconnect the breathing tube from the regulator whilst the system is pressurised as this will lead to the release of high pressure air.

If the respirator has been used in an area that has caused it to become contaminated with a substance requiring special decontamination procedures it should be placed in a suitable container and sealed until it can be decontaminated or discarded.

MAINTENANCE

Maintenance, servicing and repair must only be carried out by properly trained personnel.

⚠ Use of unapproved parts or unauthorised modification could result in danger to life or health and can invalidate any warranty.

This respirator is designed for minimum maintenance. If any components are damaged, they should be discarded and replaced. All replacement parts must be correctly installed.

WHAT	WHEN
General Inspection	Before use
	Monthly if not in regular use
Cleaning	After use

A maintenance record should be kept at the monthly checking stage to comply with Health and Safety Regulations. This record should be kept for at least 5 years.

FAULT FINDING

Symptom	Possible Cause	Remedy
No Airflow	1. External air supply turned off 2. Compressed air supply tube blocked or trapped 3. Unit defective	1. Turn on supply 2. Check supply tube 3. Replace unit
Low Airflow (Failing flow check)	1. Low external air supply pressure or flow 2. Aircare air filtration unit blocked (if used) 3. Unit defective	1. Check supply pressure and flow 2. Check Aircare unit 3. Replace unit
Odour Detected	1. Facepiece poorly fitted or damaged 2. Aircare air filtration unit requires maintenance (if used) 3. External air supply contaminated	1. Refit or replace facepiece 2. Check Aircare unit 3. Check quality of external supply

CLEANING INSTRUCTIONS

Cleaning is recommended after each use.

Clean the facepiece (excluding filters) in accordance with the facepiece user instructions.

Use a clean cloth dampened with a mild solution of water and liquid household soap.

Ensure that the interiors of the components are dry before use.

Do not immerse the regulator assembly in water.

Do not use compressed air for cleaning the product.

Do not use petrol, chlorinated degreasing fluids (such as trichloroethylene), organic solvents or abrasive cleaning agents to clean any part of the equipment.

To disinfect use wipes as detailed in Reference Leaflet.

STORAGE AND TRANSPORTATION

These products should be stored in the packaging provided in dry, clean conditions away from direct sunlight, sources of high temperature, petrol and solvent vapours.

Do not store outside the temperature range -10°C to +50°C or with humidity above 90%.

When stored as stated, the expected shelf life of the product is 5 years from date of manufacture.

The original packaging is suitable for transporting the product throughout the European Union.

TECHNICAL SPECIFICATION

Respiratory Protection

EN14594 Class 4A/4B when combined with an approved 3M™ Full Facepiece.

EN14594 Class 3A/3B when combined with an approved 3M™ Half Mask.

The facepieces and breathing tube meet the higher strength (B) requirements of EN14594. They are approved for use with a range of compressed air supply tubes that meet both the lower and higher strength (A and B) requirements. Please see Equipment Marking section for information.

Operating Conditions

0 to +40°C and <90 % humidity

Inlet Pressure

Pressure Range: 3.0 - 7.0 bar

Maximum pressure: 10 bar

Outlet Flow Characteristics

Manufacturers Minimum Design Flow (MMDF) 120 l/min

Maximum Flow (5-7 Bar): >310 l/min

Maximum Flow (3-5 Bar): 200-310 l/min

Maximum Use Limitation

Half Mask in supplied air mode: 20 x Workplace Exposure Limit (WEL).

Full Facepiece in supplied air mode: 40 x Workplace Exposure Limit (WEL).

When disconnected the Maximum Use Concentration will depend on the levels quoted in the relevant Filter Instruction Leaflet (e.g. When A1 filters are fitted to a half mask, the maximum use concentration would be 20 x WEL in supplied air mode, but only 10 x WEL with the air disconnected).

Compressed Air Supply Tube (CAST)

Standard duty to EN14594 'B'.

Maximum Length (CAST): 30 metres

Maximum Safe Working Pressure: 10 Bar

APPROVALS

These products meet the requirements of the European Community Directive 89/686/EEC (Personal Protective Equipment Directive) and are thus CE marked.

Certification under Article 10, EC Type-Examination and Article 11, EC Quality Control, has been issued by BSI, Kitemark Court, Davy Avenue, Knowlhill, Milton Keynes, MK5 8PP, UK (Notified body number 0086).



Merci de lire cette notice d'instructions et le Guide des Références ainsi que les notices d'instructions de la pièce faciale 3M™ ou du filtre 3M™ approprié, où figurent des informations sur :

Combinaisons appropriées de masques 3M™ et de filtres 3M™

- Les pièces détachées
- Les accessoires

⚠ Une attention particulière doit être portée aux limites d'utilisations indiquées.

DANS L'EMBALLAGE

Votre régulateur de débit d'air pour systèmes à adduction d'air 3M™ S-200+ doit contenir :

- a) Ensemble régulateur(S-212)
- b) Tuyau respiratoire (S-222)
- c) La ceinture
- d) Les soupapes de surpression
- e) Dispositif de contrôle de débit (FCB-01)

DESCRIPTION DE L'APPAREIL

Le régulateur de débit d'air pour systèmes à adduction d'air 3M™ S-200+ est conçu pour être utilisé avec une pièce faciale 3M™ approuvée (voir le Guide des Références).

Ce produit est conforme aux exigences de la norme EN14594 (Appareils de protection respiratoire – Appareils respiratoires isolants à adduction d'air comprimé à débit continu).

Le régulateur ajustable/l'unité de contrôle du débit d'air est monté à la taille et fixé grâce à une fiche d'entrée et un port de sortie auxiliaire pouvant accueillir un pistolet pulvérisateur de peinture ou des outils pneumatiques.

Le régulateur de débit d'air pour systèmes à adduction d'air est conçu et approuvé pour être utilisé en mode mixte ou en mode isolant à adduction d'air avec les pièces faciales 3M™ et les filtres présentés dans le Guide des Références.

Mode mixte

- Dans ce mode, les filtres à particules et/ou gaz et vapeurs sont fixés au tuyau respiratoire.
- Les filtres fixés protègent l'utilisateur lorsque l'alimentation en air comprimé est débranchée ou lorsque la connexion à l'alimentation en air est impossible (par exemple, entrée et sortie d'une zone contaminée).
- L'utilisateur doit sélectionner les filtres qui offrent la protection adéquate contre les contaminants.
- Il convient d'utiliser en permanence une paire de filtres identiques.
- La durée de vie effective d'une paire de filtres varie selon le niveau des contaminants, l'intensité de la tâche, la durée d'exposition, etc. Les filtres doivent être remplacés lorsque l'utilisateur détecte, par voie buccale ou nasale, la présence de contaminants. Néanmoins, il est fortement recommandé de remplacer régulièrement les filtres avant de pouvoir détecter les contaminants.
- Même si aucun contaminant n'est détecté, la paire de filtres doit être remplacée CHAQUE mois. En cas de doute, remplacez toujours les filtres par une nouvelle paire.
- Vous trouverez d'autres instructions et avertissements concernant la sélection, l'utilisation et le remplacement des filtres en mode mixte dans les notices d'instructions du filtre et de la pièce faciale.
- Un surplus d'air peut s'échapper des filtres, lorsque le réglage du régulateur est plus haut ou lors de l'expiration.
- Le surplus d'humidité de l'alimentation en air peut réduire la durée d'utilisation du filtre.
- **Seuls les filtres conçus pour les demi-masques peuvent être utilisés avec le tuyau respiratoire 3M, comme indiqué dans le Guide des Références.**

Mode isolant à adduction d'air

- Le régulateur de débit d'air pour systèmes à adduction d'air 3M™ S-200+ et les pièces faciales 3M™ avec raccords à baïonnette peuvent être utilisés en mode isolant à adduction d'air, en utilisant une source extérieure d'air comprimé respirable.
- Un surplus d'air peut s'échapper des soupapes de surpression, lorsque le réglage du régulateur est plus haut ou lors de l'expiration.

⚠ AVERTISSEMENT

- **Un choix correct, une formation, une utilisation et une maintenance appropriées sont essentiels pour que le produit**

puisse protéger l'utilisateur contre certains contaminants atmosphériques. Le non-respect de toutes les instructions relatives à l'utilisation de ces produits et/ou le non-respect du port correct de cet appareil pendant toute la période d'exposition peut nuire à la santé de l'utilisateur et provoquer une maladie grave ou une invalidité permanente.

- Pour une adéquation du produit à votre activité et une utilisation correcte selon la réglementation locale en vigueur, se référer à l'ensemble des informations fournies ou contacter un responsable sécurité et/ou un représentant 3M.

Lire la notice d'utilisation avant d'utiliser l'équipement, et la conserver pour les prochaines utilisations.

Utilisez cet appareil en stricte conformité à toutes les instructions

- - incluses dans cette notice,
 - - accompagnant d'autres composants du système
 - Ne pas utiliser ce système lorsque les concentrations en contaminants excèdent celles indiquées dans les Spécifications techniques.
 - Ne pas utiliser ce système comme protection respiratoire contre des contaminants atmosphériques inconnus, ou lorsque les concentrations en contaminants sont inconnues ou directement dangereuses pour la vie ou la santé.
 - Ne pas utiliser dans les atmosphères contenant moins de 19,5 % d'oxygène (définition 3M. Chaque pays peut appliquer ses propres limites en matière d'insuffisance en oxygène. En cas de doute, demandez conseil).
 - A utiliser uniquement avec des pièces faciales, filtres, pièces détachées et accessoires énumérés dans le guide des références et conformément aux conditions d'utilisation énoncées dans les spécifications techniques.
 - A utiliser uniquement par du personnel compétent et formé.
 - Quitter immédiatement la zone contaminée si :
 - a) Une partie du système est endommagée.
 - b) Le débit d'air dans la pièce faciale diminue ou s'arrête.
 - c) La respiration devient difficile.
 - d) Des vertiges ou d'autres troubles apparaissent.
 - e) Vous sentez par voie buccale ou nasale la présence de contaminants, ou en cas d'irritation.
 - N'apporter jamais de modification à ce système. Remplacer les éléments uniquement avec des pièces détachées 3M.
 - Ne pas utiliser d'air enrichi en oxygène ni d'oxygène pur.
 - En cas d'utilisation dans des atmosphères explosives, contacter le service technique 3M.
 - En cas d'utilisation à des températures inférieures à +4°C, la teneur en humidité de l'air respiré doit être contrôlée afin d'éviter qu'il ne gèle l'appareil.
 - Toujours vous assurer que :
 - la source d'alimentation en air est connue
 - la qualité de l'alimentation en air est connue
 - l'alimentation en air est de qualité respirable, conformément à la Norme EN12021.
 - Assurez vous que la capacité du réseau d'air est suffisante pour tous les utilisateurs connectés
 - Si vous souhaitez commander des accessoires pneumatiques via le port auxiliaire, assurez-vous toujours qu'un débit d'air suffisant arrive dans la pièce faciale lorsque l'accessoire consomme son débit d'air maximum.
- La pression minimum exigée avec l'utilisation d'un outil pneumatique est 4,5 Bar. Pour des informations complémentaires sur la compatibilité des outils pneumatiques merci de contacter 3M.
- **Lors de l'utilisation de ce produit il est capable de produire des niveaux de bruit excessifs à l'oreille. Une protection auditive doit être disponible si besoin.**
 - Lorsque le rythme de travail est très élevé, la pression à l'intérieur de la pièce faciale peut devenir négative au pic de débit inspiratoire.
 - Ce produit ne doit être utilisé que dans des situations de travail, présentant un risque faible de détérioration du tuyau d'alimentation en air comprimé et où les mouvements de l'utilisateur sont limités. L'alimentation en air comprimé doit être équipée d'une valve de dépressurisation ajustée et correctement réglée.
 - Le régulateur est équipé de raccord de sécurité à double action. Prenez soin lors de la déconnexion du tuyau respiratoire et du tuyau d'alimentation d'air comprimé. Toujours s'assurer que les raccords double action sont utilisés ensemble. Le tuyau respiratoire est

marquée S-222 et le raccord du régulateur est marqué «S» pour indiquer que les raccords de sécurité à double action sont utilisés.

- Ces unités ne doivent pas être utilisées avec des réseaux d'air comprimé mobiles.
- Si des fuites d'air sont détectées pendant l'utilisation du système, quittez immédiatement la zone contaminée et n'essayez en aucun cas d'arrêter la fuite avec une partie de votre corps.
- Ne retirez pas les anneaux d'étanchéité, car cela peut nuire aux performances du système.

⚠ A ne pas utiliser si vous portez une barbe ou toute autre pilosité faciale qui pourrait empêcher un contact parfait entre le visage et le bord du masque.

- Le système ne doit pas être équipé de filtres si une possibilité d'immersion accidentelle dans l'eau existe.
- Le système doit être contrôlé et les filtres remplacés en cas d'exposition au feu.
- Les matériaux susceptibles d'entrer en contact avec la peau des utilisateurs ne sont pas reconnus comme pouvant provoquer des réactions allergiques sur une grande majorité d'individus.
- Ce produit ne contient aucun élément fait à base de caoutchouc naturel (latex).

MARQUAGE

Pour obtenir des informations sur le marquage des pièces faciales, consultez la notice d'instructions appropriée.

Le régulateur S-212 est marqué EN14594 4B et EN14594 3B ainsi que d'une date de fabrication.

Les tuyaux d'alimentation en air comprimé sont marqués EN14594. Ils sont aussi marqués comme suit:

308-00-40P est marqué A - adapté pour une utilisation avec des dispositifs de classe A (EN14594)

308-00-72P est marqué 'Résistant à la chaleur' et 'Anti static'

INSTRUCTIONS AVANT UTILISATION

Vérifier que l'appareil est complet, en bon état et correctement assemblé. Les pièces endommagées ou défectueuses doivent être remplacées avec des pièces détachées 3M d'origine avant utilisation.

Contrôler préalablement la pièce faciale avant de l'utiliser, comme indiqué dans les notices d'instructions appropriées.

Avant utilisation, vérifier le positionnement correct des anneaux d'étanchéité.

Vérifier que la fiche de l'accessoire est fixée et changée comme il se doit après utilisation.

Assemblage

1. Fixez la ceinture au régulateur, comme indiqué sur la figure 1.
2. Fixez le tuyau respiratoire au régulateur, comme indiqué sur la figure 2.
3. Fixez le tuyau respiratoire à la pièce faciale, comme indiqué sur la figure 3.

REMARQUE: Assurez-vous que le symbole de 3M sur la pièce en 'Y' du tuyau respiratoire est orientée vers le haut pour assurer un alignement correct du tuyau respiratoire.

4. Si le système doit être utilisé en MODE ISOLANT A ADDUCTION D'AIR, les deux SOUPAPES DE SURPRESSION DOIVENT ÊTRE FIXÉES sur le tuyau respiratoire (voir figure 4). Si le système doit être utilisé en MODE MIXTE, les FILTRES APPROPRIÉS DOIVENT ÊTRE FIXÉS sur le tuyau respiratoire (voir figure 5).

5. Branchez le tuyau d'alimentation d'air comprimé entre l'unité de filtration d'air – Aircare 3M et le régulateur S-200+, en vérifiant que la pression au niveau de l'unité de filtration d'air est réglée comme indiquée au chapitre Spécifications techniques.

6. Avant utilisation, réglez le régulateur à son débit le plus bas et contrôlez le débit d'air en utilisant le sac de contrôle du débit d'air (voir figure 6). Avec votre main, contrôlez la bonne étanchéité autour de l'ouverture du sac.

INSTRUCTIONS D'UTILISATION

MISE EN PLACE

1. Réglez et bouclez la ceinture de façon à ce que le régulateur soit confortablement fixé à votre taille.
2. Ajustez la pièce faciale, comme indiqué dans la notice d'instructions appropriée.
3. Vérifiez l'arrivée d'un débit d'air minimum dans la pièce faciale et réglez le débit du régulateur pour obtenir un confort optimal.

UTILISATION

Si au cours de l'utilisation, l'alimentation en air comprimé est coupée ou réduite, quitter immédiatement la zone contaminée et rechercher l'origine de ce dysfonctionnement.

Lors de l'utilisation, veiller à ce que le tuyau respiratoire ne puisse s'accrocher à aucun objet environnant. Si cela devait se produire, quitter la zone contaminée et vérifier que l'appareil n'est pas endommagé.

La durée de fonctionnement du produit en utilisation peut varier en fonction de la fréquence et des conditions d'utilisation.

Pour un usage quotidien, il est recommandé de remplacer le produit après approximativement 5 ans d'utilisation, à partir du moment où le produit est stocké et entretenu comme indiqué ci-dessous.

Des conditions extrêmes peuvent provoquer une détérioration sur une plus courte période.

FIN D'UTILISATION

Ne pas retirer la pièce faciale, ni les filtres ou ne pas se déconnecter de l'alimentation en air avant d'être sorti de la zone contaminée.

1. Retirer la pièce faciale, comme indiqué dans la notice d'instructions appropriée.
2. Débrancher le tuyau d'alimentation en air comprimé du régulateur.
3. Retirer la ceinture.

REMARQUE

Ne débranchez pas le tuyau respiratoire du régulateur alors que le système est sous pression car cela conduira à la libération de l'air à haute pression.

Si l'appareil a été utilisé dans un environnement tel qu'il nécessite une décontamination suivant une procédure particulière, il convient de le stocker dans un container adéquat et fermé hermétiquement dans l'attente de sa décontamination ou de son élimination.

MAINTENANCE

La maintenance, l'entretien et les réparations ne doivent être effectués que par du personnel correctement formé.

⚠ L'utilisation de pièces ou d'éléments non homologués ainsi que toute modification non autorisée peuvent nuire à la santé ou à la vie de l'utilisateur et peuvent annuler toute garantie offerte par 3M.

Cette appareil de protection respiratoire ne nécessite qu'un entretien minimal. Si des composants sont endommagés, ils doivent être jetés et remplacés. Toutes les pièces de rechange doivent être correctement installées.

QUOI	QUAND
Inspection Générale	Avant utilisation Une fois par mois si le produit n'est pas utilisé régulièrement
Nettoyage	Après utilisation

Conformément à la législation Santé et Sécurité, il est conseillé de conserver les documents relatifs aux opérations mensuelles de maintenance. Ces enregistrements doivent être conservés pendant au moins 5 ans.

IDENTIFICATION DES PANNES

Problème	Cause possible	Remède
Pas de débit	1. L'alimentation externe en air est éteinte 2. Le tuyau d'alimentation en air comprimé est bouché ou plié 3. Unité défectueuse	1. Allumer l'alimentation 2. Vérifiez le tuyau d'alimentation 3. Changer l'unité
Débit faible (échec du contrôle du débit)	1. La pression ou le débit d'alimentation en air externe est faible 2. Aircare – l'unité de filtration d'air est bloquée (si utilisée) 3. Unité défectueuse	1. Vérifiez la pression et le débit de l'alimentation 2. Vérifier l'unité Aircare 3. Changer l'unité
Odeur détectée	1. Pièce faciale mal fixée ou endommagée 2. Aircare – L'unité de filtration d'air a besoin d'entretien (si elle est utilisée) 3. Alimentation d'air externe contaminée	1. Réajuster ou changer la pièce faciale 2. Vérifier l'unité Aircare 3. Vérifier la qualité de l'alimentation externe

INSTRUCTIONS DE NETTOYAGE

Un nettoyage est recommandé après chaque utilisation.

Nettoyer la pièce faciale (à l'exclusion des filtres), comme indiqué dans la notice d'instructions de la pièce faciale.

Utiliser un tissu doux et propre imbibé d'une solution d'eau savonneuse.

S'assurer que l'intérieur des composants est sec avant de les utiliser.

Ne pas immerger le régulateur dans l'eau.

Ne pas utiliser d'air comprimé pour nettoyer les composants.

Ne pas utiliser d'essence, de dégraissants chlorés (tels que le trichloroéthylène), de solvants organiques, ou de produits abrasifs pour nettoyer les éléments de l'équipement.

Pour désinfecter l'appareil, utiliser des lingettes comme indiqué dans le Guide des Références.

STOCKAGE ET TRANSPORT

L'appareil doit être stocké dans l'emballage fourni, dans un endroit sec et propre, à l'abri du soleil et d'une source de chaleur, d'essence et de vapeurs de solvants.

Stocker l'appareil à des températures comprises entre -10°C et +50°C et à une humidité inférieure à 90%.

Lorsque le produit est stocké selon les conditions ci-indiquées, la durée de vie du produit est de 5 ans à partir de la date de fabrication.

L'emballage d'origine du produit convient pour son transport dans toute la Communauté Economique Européenne.

SPECIFICATIONS TECHNIQUES

Protection Respiratoire

EN14594 Classe 4A/4B lorsqu'il est combiné avec un masque complet homologué 3M™.

EN14594 Classe 3A/3B lorsqu'il est combiné avec un demi-masque homologué 3M™.

Les pièces faciales et tuyau respiratoire répondent aux exigences de robustesse la plus élevée (B) de la norme EN14594. Ils sont approuvés pour une utilisation avec une gamme de tuyau d'alimentation en air comprimé qui répondent à la fois aux exigences de robustesse inférieure et supérieure (A et B). Voir la section Marquage de l'Équipement pour plus d'informations.

Conditions d'utilisation

-0 à +40°C et <90 % humidité

Pression d'entrée

Plage de pression : 3,0 - 7,0 bar

Pression maximum: 10 bar

Caractéristiques du flux de sortie

Débit d'air minimum du fabricant (MMDF) 120 l/min

Debit maximum (5-7bar) : >310 l/min

Debit maximum (3-5 bar): 200-310 l/min

Limite d'utilisation maximum

Demi-masque en mode isolant à adduction d'air : 50 x Valeur Moyenne d'Exposition (VME) / Valeur Limite Belge (VLB)

Masque complet en mode isolant à adduction d'air : 200 x Valeur Moyenne d'Exposition (VME) / Valeur Limite Belge (VLB)

Avec l'alimentation en air débranchée, la concentration d'exposition maximale dépend des niveaux indiqués sur la notice d'instructions du filtre (par exemple, lorsque des filtres A1 sont fixés à un demi-masque, la concentration d'exposition maximale est de 50 x Valeur Moyenne d'Exposition (VME) / Valeur Limite Belge (VLB) en mode isolant à adduction d'air, mais seulement de 10 x Valeur Moyenne d'Exposition (VME) / Valeur Limite Belge (VLB) avec l'alimentation en air débranchée).

Tuyau d'alimentation en air comprimé (CAST)

Usage standard selon la norme EN14594 'B'.

Longueur maximum (tuyau d'alimentation en air comprimé) : 30 mètres

Pression maximum permise : 10 bar

HOMOLOGATIONS

Ces produits répondent aux exigences de la Directive Européenne 89/686/CEE (Équipement de Protection Individuelle) et sont donc marqués CE.

Certification selon l'article 10, certificat d'examen de type CE, et selon l'article 11, Contrôle qualité CE, a été délivrée pour ces produits par BSI, Kitemark Court, Davy Avenue, Knowlhill, Milton Keynes, MK5 8PP, UK (Organisme Notifié 0086).



Bitte beachten Sie neben der vorliegenden Bedienungsanleitung und dem Merkblatt auch die Bedienungsanleitung der eingesetzten Atemschutzmaske. Hier finden Sie folgende Informationen:

Zugelassene Kombinationen von 3M™ Atemschutzmasken mit 3M™ Filtern

- Ersatzteile
- Zubehör

⚠ **Schenken Sie den Warnhinweisen besondere Aufmerksamkeit.**

AUSPACKEN DER GELIEFERTEN SCHUTZAUSRÜSTUNG

Im Lieferumfang des 3M™ Druckluftsystems S-200+ sind folgende Komponenten enthalten:

- a) Regeleinheit (S-212)
- b) Luftschlauch (S-222)
- c) Gürtel
- d) Überdruckventile
- e) Luftstromindikator (FCB-01)

TECHNISCHE BESCHREIBUNG

Das 3M™ Druckluftsystem S-200+ ist in Kombination mit einer Reihe von 3M™ Atemschutzmasken geprüft und zugelassen (siehe Merkblatt).

Das vorliegende Produkt erfüllt die Anforderungen der EN14594 (Atemschutzgeräte – Druckluft-Schlauchgeräte mit kontinuierlichem Luftstrom).

Der Druckluftregler wird am Gürtel getragen. Er verfügt über einen Drucklufteinlass sowie über einen Zusatzanschluss, an dem ein Druckluftwerkzeug, z.B. eine Farbspritzpistole, angeschlossen werden kann.

Das vorliegende Druckluftsystem kann sowohl im reinen Druckluftbetrieb als auch in einem "Doppelmodus" in Kombination mit den 3M™ Atemschutzmasken und Filtern betrieben werden (s. auch Merkblatt).

"Doppelmodus"

- In diesem Einsatzmodus werden am Luftschlauch anstelle der Überdruckventile Partikel-, Gas- oder Kombifilter angebracht.
- Durch die angebrachten Filter ist der Geräteträger auch in solchen Fällen geschützt, in denen er nicht an der Druckluftquelle angekoppelt ist oder eine Versorgung über die Druckluft nicht möglich ist, z.B. beim Betreten oder Verlassen des Arbeitsbereiches.
- Der Geräteträger muss die Partikel-, Gas- oder Kombifilter gemäß den Gefahrstoffen in der Umgebungsatmosphäre auswählen.
- Es muß immer ein identisches Paar Filter eingesetzt werden.
- Die effektive Lebensdauer der eingesetzten Filter variiert stark in Abhängigkeit von der Schadstoffkonzentration in der Einsatzumgebung, der Belastung/Atemrate des Geräteträgers und der Einsatzzeit. Die eingesetzten Filter sollten ausgetauscht werden, wenn der Geräteträger einen erhöhten Atemwiderstand wahrnimmt oder den Durchbruch von Schadstoffen schmecken oder riechen kann, bzw. eine Reizung auftritt. Ein regelmäßiger Austausch der Filter wird auch in solchen Fällen empfohlen, in denen man während des Einsatzes keine übermäßige Verschmutzung der Umgebungsatmosphäre feststellen konnte.
- Die Filter müssen, auch wenn sie keinen Schadstoffen ausgesetzt waren, spätestens nach einem Monat ausgetauscht werden. In Zweifelsfällen (z.B. Ungewißheit über den Zeitpunkt des letzten Einsatzes) sollten die Filter in jedem Fall vor einem neuen Gebrauch des Atemschutzgerätes getauscht werden.
- Weitere detaillierte Informationen zur korrekten Auswahl, dem sicheren Einsatz sowie der Standzeit der Filter erhalten Sie in den Bedienungsanleitungen der Atemschutzmasken und der Filter.
- Überschüssige Luft kann, durch einen zu hoch eingestellten Arbeitsdruck oder durch den Ausatemvorgang, durch die Filter abgelassen werden und so die Wirkungsweise und die Lebensdauer der Filter beeinflussen.
- Auch ein übermäßiger Feuchtigkeitsgehalt in der Druckluftversorgungsleitung kann die Lebensdauer der Filter nachteilig beeinflussen.
- **Es können nur solche Filter an den Atemluftschlauch angeschlossen werden, die für den Anschluß an 3M Halbmasken entwickelt wurden (s. Referenztabellen auf dem beigefügten Merkblatt).**

Reiner Druckluftbetrieb

- Das vorliegende 3M™ Druckluftsystem S-200+ kann in Kombination mit den 3M™ Atemschutzmasken mit Bajonettanschluss eingesetzt werden. Im reinen Druckluftbetrieb wird das System mit einer externen, atembaren Druckluft versorgt.

- Überschüssige Luft kann bei zu hoch eingestelltem Arbeitsdruck oder während des Ausatemvorganges über die Überdruckventile abfließen.

⚠ Warnung

- **Richtige Auswahl, Schulung, Anwendung und Wartung sind die Voraussetzung dafür, dass das Produkt hilft, den Anwender vor Schadstoffen in der Luft zu schützen. Die Nichtbeachtung dieser Anweisungen und Warnhinweise sowie die unsachgemäße Verwendung dieses Produktes können zu ernsthaften oder lebensgefährlichen Erkrankungen oder dauerhaften Schäden führen. Das Atemschutzgerät muss während der gesamten Aufenthaltsdauer im schadstoffbelasteten Bereich getragen werden.**

- Bei offenen Fragen bezüglich des korrekten Einsatzes wenden Sie sich bitte an Ihre Sicherheitsfachkraft oder an die Anwendungstechnik der Abteilung Arbeits- und Personenschutz Ihrer lokalen 3M Niederlassung.

Bewahren Sie alle Anweisungen / Anleitungen für spätere Nachfragen auf.

Das Atemschutzsystem darf nur in Übereinstimmung mit den folgenden Anweisungen eingesetzt werden:

- Gemäß der vorliegenden Bedienungsanleitung,
- Anweisungen / Anleitungen anderer Systemkomponenten
- Das Atemschutzgerät darf nicht eingesetzt werden, wenn die in den "Technischen Daten" genannten zulässigen Grenzwerte überschritten werden.
- Die Schutzausrüstung darf nicht gegenüber Schadstoffen unbekannter Natur, unbekannter Konzentration oder oberhalb der zulässigen Konzentrationen eingesetzt werden.
- Das vorliegende Produkt darf nicht bei einem Sauerstoffgehalt von weniger als 17% eingesetzt werden (19,5 Vol.% - 3M-Empfehlung, bitte achten Sie auf nationale Vorgaben).
- Verwenden Sie für das vorliegende System nur Atemschutzmasken, Filter sowie Ersatz- und Zubehörteile, die in beiliegender Referenztabelle aufgeführt sind. Das System darf nur unter den, in den Technischen Daten angegebenen Bedingungen eingesetzt werden.
- Ein Atemschutzgerät sollte ausschließlich von entsprechend geschulten Mitarbeitern benutzt werden.
- Verlassen Sie den schadstoffbelasteten Bereich sofort, wenn:
 - a) Teile des Ausrüstung beschädigt werden.
 - b) Der Luftstrom zur Maske nachlässt oder ganz unterbrochen wird.
 - c) Das Atmen schwierig wird.
 - d) Benommenheit, Schwindel oder andere Beschwerden eintreten.
 - e) Sie Gefahrstoffe schmecken oder riechen können oder eine Reizung auftritt.
- Andern oder modifizieren Sie niemals das Produkt. Sollten Teile ausgetauscht werden müssen, benutzen Sie ausschließlich original 3M Ersatz- und Zubehörteile.
- Benutzen Sie niemals sauerstoffangereicherte Luft als Versorgungsluft für ein Atemschutzgerät.
- Bei speziellen Fragen zum Thema Explosionsschutz wenden Sie sich bitte an die Anwendungstechnik der Abteilung Arbeits- und Personenschutz Ihrer lokalen 3M Niederlassung.
- Bei Einsatz in Umgebungstemperaturen unter +4°C muss der Feuchtegehalt der Druckluft kontrolliert werden, um zu verhindern, dass das Gerät einfriert.
- Folgendes muss immer sichergestellt sein:
 - Die Quelle der Druckluft ist bekannt
 - Die Güte der vorliegenden Druckluft ist bekannt
 - Die Druckluftversorgung hat Atemluftqualität gemäß EN12021.
- Stellen Sie sicher, dass die Leistung der Druckluftversorgung (Kompressorleistung; Arbeitsdruck und Luftvolumen) für die angeschlossenen Geräte/Nutzer ausreichend ist.
- **Achtung:** Schließt man druckluftbetriebene Zusatzgeräte (z.B. Farbspritzpistolen) an die Regeleinheit an, so ist darauf zu achten, daß selbst bei einer hohen Belastung des Zusatzgerätes stets der geforderte Druckluftmindestdurchfluß zur Atemschutzmaske gewährleistet ist.
- Wenn am Regler ein zusätzliches Druckluftwerkzeug angeschlossen wird, muss der anliegende Arbeitsdruck mindestens 4,5 Bar betragen. Bei weiteren Fragen zum Anschluss von Druckluftwerkzeugen, wenden Sie sich bitte an Ihre Ansprechpartner bei der 3M.
- **Wenn das Produkt während des Einsatzes starke Geräusche in**

der Nähe der Ohren entwickelt, sollte entsprechender Gehörschutz bereitgestellt und getragen werden.

- Bei sehr hohem Luftbedarf des Geräteträgers (z.B. bei harter körperlicher Arbeit) kann es passieren, dass kurzzeitig ein Unterdruck in der Maske entsteht.
- Die vorliegende Ausrüstung darf nur in solchen Arbeitsbereichen eingesetzt werden, in denen das Risiko einer Beschädigung der Druckluftzuführung gering und der Bewegungsradius des Trägers eingeschränkt sind. Die Druckluftversorgung sollte zur Sicherheit auf jeden Fall ein entsprechendes Sicherheitsventil haben.
- An der vorliegenden Regeleinheit werden 2-Hand-Sicherheitskupplungen verwendet. Achten Sie beim Lösen des Luftschauches und des Druckluftzuführungsschlauches bitte darauf. Stellen Sie sicher, dass stets 2-Hand-Sicherheitskupplungen verwendet werden. Der Luftschlauch trägt die Kennzeichnung S-222 und die Kupplung auf dem Regler trägt die Kennzeichnung "S". Dies zeigt, dass 2-Hand-Sicherheitskupplungen eingesetzt werden.
- Die vorliegenden Druckluftregler sind nicht geeignet, um mit portablen Kompressoren eingesetzt zu werden.
- Sollten Sie während des Einsatzes Leckagen am Druckluftsystem feststellen, verlassen Sie umgehend den Arbeitsbereich. Versuchen Sie auf garkeinen Fall, Leckagen z.B. mit den Händen oder dem Körper abzudichten.
- Entfernen Sie niemals Dichtungen / Dichtringe vom System, da dies zu einer Beeinträchtigung der Funktion und der Schutzwirkung führen kann.

⚠ Gesichtshaare im Bereich des Dichtrandes verhindern einen korrekten Sitz der Maske.

- Das System darf als umgebungsluftabhängiges Atemschutzgerät mit Filtern nicht in solchen Bereichen eingesetzt werden, in denen die Gefahr des Eintauchens der Filter in Wasser oder eine andere Flüssigkeit besteht.
- Überprüfen Sie das System sorgfältig und tauschen Sie in jedem Fall die Filter, sollte das System mit Flammen in Berührung gekommen sein.
- Bei den im System verarbeiteten Materialien, mit denen der Geräteträger in Hautkontakt kommen kann, gibt es keine Anzeichen für die Auslösung einer allergischen Reaktion.
- Dieses Produkt enthält keine Komponenten aus natürlichem Latex.

KENNZEICHNUNG

Bezüglich der Kennzeichnung der Atemschutzmasken beachten Sie bitte deren Bedienungsanleitungen.

DerS-212 Regler ist wie folgt gekennzeichnet: EN14594 4B und EN12594 3B. Ferner ist das Herstellungsdatum angegeben.

Die Druckluftversorgungsschläuche sind wie folgt gekennzeichnet: EN14594. Desweiteren tragen sie folgende Kennzeichnungen:

308-00-40P trägt die Kennzeichnung A - geeignet zum Einsatz mit Klasse A Geräten (EN14594).

308-00-72P trägt die Kennzeichnungen "hitzebeständig" und "antistatisch".

VOR DEM EINSATZ

Überprüfen Sie folgendes: Die Schutzausrüstung ist komplett, unbeschädigt und ordnungsgemäß zusammengebaut. Mögliche Fehler müssen behoben und defekte Teile ausgetauscht werden, bevor die Ausrüstung zum Einsatz kommt.

Überprüfen Sie die Atemschutzmasken vor dem Einsatz, wie in den entsprechenden Bedienungsanleitungen beschrieben.

Stellen Sie sicher, daß alle notwendigen Dichtungen / Dichtringe vorhanden sind, bevor Sie das System einsetzen.

Stellen Sie sicher, dass die Anschlußkupplung für ein Zusatzwerkzeug korrekt am Regler befestigt ist.

Zusammenbau

1. Befestigen Sie den Druckluftregler am Gürtel, wie in Abb. 1 dargestellt.
2. Befestigen Sie den Luftschlauch am Druckluftregler, wie in Abb. 2 dargestellt.
3. Befestigen Sie den Luftschlauch an ddr Atemschutzmaske, wie in Abb. 3 dargestellt.

ACHTUNG: Stellen Sie sicher, dass das 3M Symbol auf dem y-förmigen Luftschlauch nach oben weist, um sicherzustellen, dass der Luftschlauch richtig herum eingesetzt wird.

4. Wird das System im reinen Druckluftbetrieb eingesetzt, müssen am Luftschlauch Überdruckventile befestigt sein, s. Abb. 4. Wird das System im dualen Modus eingesetzt, müssen am Luftschlauch geeignete Filter befestigt sein, s. Abb. 5.

5. Verbinden Sie nun den Druckluftversorgungsschlauch mit dem S-200+ Druckluftregler. Stellen Sie sicher, dass an der Druckluftquelle (z.B. Kompressor mit nachgeschalteter 3M AirCare Filtereinheit) der anliegende Arbeitsdruck gem. dem Kapitel "Technische Daten" eingestellt ist.

6. Führen Sie vor dem ersten Einsatz eine Überprüfung des Mindestluftvolumenstroms durch. Nutzen Sie hierzu den Aufbewahrungsbeutel mit Luftmengenmesser, s. Abb. 6. Stellen Sie sicher, dass Sie die Öffnung des Beutels mit der Hand während der Prüfung dicht verschließen.

ANWENDUNG

ANLEGEN

1. Stellen Sie sich den Gürtel so ein, dass er komfortabel und sicher sitzt.
2. Stellen Sie sich die Atemschutzmaske ein, wie in deren Bedienungsanleitung beschrieben.
3. Stellen Sie sicher, dass zumindest der Mindestluftvolumenstrom zu Ihrer Atemschutzmaske geführt wird und stellen Sie sich den Luftstrom dann individuell ein.

ANWENDUNG

Sollte die Luftzufuhr zur Atemschutzmaske / zum Kopfteil unterbrochen oder das Gerät beschädigt werden, verlassen Sie umgehend den schadstoffbelasteten Bereich und ermitteln Sie den Grund für den Ausfall Ihrer Ausrüstung.

Achten Sie darauf, daß Sie nicht mit dem Luftschlauch an hervorstehenden Gegenständen hängen bleiben. Sollte die Luftzufuhr zum Kopfteil unterbrochen oder das Gerät beschädigt werden, verlassen Sie umgehend den schadstoffbelasteten Bereich und ergründen Sie den Ausfall Ihrer Ausrüstung.

Die Lebensdauer eines solchen Produktes ist stark abhängig von Einsatzhäufigkeit und Einsatzhäufigkeit.

Die vorliegende Schutzausrüstung sollte bei bestimmungsgemäßem Gebrauch und bei regelmäßiger Pflege und Wartung (s. Kapitel "Reinigung und Pflege" und "Wartung") spätestens nach 5 Jahren durch eine neue Ausrüstung ersetzt werden.

Extreme Einsatzbedingungen können die Lebensdauer entsprechend reduzieren.

ABLEGEN

Nehmen Sie weder die Maske noch die Filter ab oder schalten die Luftversorgung aus, bevor Sie den belasteten Bereich verlassen haben.

1. Nehmen Sie die Maske ab, wie in der Bedienungsanleitung der Maske beschrieben.
2. Koppeln Sie sich von der Druckluft ab, indem Sie den Druckluftschlauch von Ihrem Regler lösen.
3. Legen Sie den Gürtel mit dem Atemschutzsystem ab.

HINWEIS

Lösen Sie den Luftschlauch niemals vom Regler, solange dieser über den Druckluftschlauch mit dem Druckluftnetz verbunden ist und unter Druck steht. Dies führt zu einem schnellen, unkontrollierten Ausströmen der Druckluft.

Sollte das Atemschutzgerät während des Einsatzes mit Schadstoffen beaufschlagt werden, die eine spezielle Dekontamination notwendig machen, bewahren Sie das Gerät bis zur Dekontamination in einem verschlossenen Behälter auf.

WARTUNG

Die Wartung und Reparatur von 3M Atemschutzsystemen sollte nur von entsprechend ausgebildeten Personen durchgeführt werden.

⚠ Die Nichtbeachtung dieser Hinweise sowie die unsachgemäße Verwendung dieses Gerätes können zu lebensgefährlichen Erkrankungen oder gravierenden Materialschäden führen, die eventuelle Gewährleistungs- oder Haftungsansprüche nichtig machen.

Die Atemschutzmasken sind wartungsarm. Sollten Teile der Masken defekt oder beschädigt sein, tauschen Sie die Masken aus. Alle Ersatz- und Zubehörteile müssen korrekt und gem. den entsprechenden Bedienungsanleitungen verbaut werden.

ÜBERPRÜFUNG	ZEITPUNKT
Funktionskontrolle des gesamten Gerätes	Vor dem Einsatz Monatlich, wenn das Gerät nicht täglich im Einsatz ist.

Reinigung	Nach dem Einsatz
-----------	------------------

Damit die Gesundheits- und Sicherheitsvorschriften eingehalten werden, sollte eine Liste geführte werden, in der alle Wartungsarbeiten aufgelistet werden. Diese Liste sollte mindestens fünf Jahre aufbewahrt werden.

FEHLERSUCHE

Fehler	Mögliche Ursache	Fehlerbehebung
Kein Luftstrom.	1. Druckluftzufuhr abgeschaltet 2. Druckluftschlauch abgeklemmt oder defekt 3. Druckluftregler defekt	1. Druckluftzufuhr einschalten 2. Druckluftschlauch prüfen 3. Druckluftregler austauschen
Luftstrom zur Maske zu gering	1. Druckluftzufuhr zu gering 2. AirCare – Filterelemente zugesetzt (falls AirCare verwendet wird) 3. Druckluftregler defekt	1. Druckluftzufuhr überprüfen 2. AirCare Druckluftaufbereitung überprüfen (falls AirCare verwendet wird) 3. Druckluftregler austauschen
Schadstoffe können wahrgenommen werden	1. Atemschutzmaske sitzt nicht dicht oder ist beschädigt 2. AirCare – Druckluftaufbereitung überprüfen (falls AirCare verwendet wird) 3. Zugeführte Druckluft ist schadstoffbelastet	1. Passen Sie die Atemschutzmaske erneut an oder nehmen Sie eine andere Maske 2. AirCare Druckluftaufbereitung überprüfen 3. Qualität der zugeführten Druckluftzufuhr überprüfen

REINIGUNG

Es wird empfohlen, die Maske nach jedem Gebrauch zu reinigen.
Reinigen Sie die Atemschutzmaske (ohne Filter) gemäß den Anweisungen in der Gebrauchsanweisung der Maske.
Zur Reinigung benutzen Sie ein feuchtes Tuch mit einer milden Seifenlauge. Stellen Sie sicher, daß die Komponenten auch von innen trocken sind, bevor sie das nächstmal eingesetzt werden.
Tauchen sie die Reglereinheit niemals zur Reinigung in Wasser.
Benutzen Sie zur Reinigung des Atemschutzgerätes und seiner Einzelkomponenten niemals Druckluft.
Zur Reinigung dürfen keine aggressiven Mittel, wie Benzin, Verdünnung, chlorhaltige Entfetter oder andere organische Lösemittel benutzt werden. Verwenden Sie auch keine Scheuermittel.
Zur Desinfektion benutzen Sie Desinfektionstücher 3M 105 entsprechend der Referenztafel des Merkblattes.

LAGERUNG UND TRANSPORT

Diese Produkte sollte in der Originalverpackung bei Raumtemperatur trocken und sauber gelagert werden und weder hohen Temperaturen, direkter Sonneneinstrahlung noch Schadstoffen ausgesetzt sein.
Nicht außerhalb des Temperaturbereichs von -10°C bis +50°C oder bei einer Luftfeuchtigkeit über 90% lagern.
Bei sachgemäßer Lagerung, ist die zu erwartende Lagerdauer des Produkts 5 Jahre ab Herstellungsdatum.
Die Originalverpackung erfüllt alle Vorgaben für den Transport innerhalb der Europäischen Gemeinschaft.

TECHNISCHE DATEN

Atemschutz

EN14594 Klasse 4A/4B in Kombination mit einer zugelassenen 3M™ Vollmaske

EN14594 Klasse 3A/3B in Kombination mit einer zugelassenen 3M™ Halbmaske.

Die Atemschutzmasken und der Luftschlauch erfüllen die Anforderungen für höhere Beanspruchung (B) nach EN14594. Sie sind mit einer Reihe von Druckluftführungsschläuchen geprüft, die sowohl den Anforderungen für leichtere Beanspruchung (A) als auch den Anforderungen für höhere Beanspruchung nach EN14594 entsprechen

Betriebstemperatur

-0 to +40°C und <90 % relative Luftfeuchtigkeit

Eingangsdruk

Eingangsdrukbereich: 3,0 - 7,0 Bar

Maximaler Betriebsdruck: 10 bar

Luftvolumenstrom

Mindestluftvolumenstrom gemäß Hersteller (MMDF) 120 l/min

Maximaler Luftstrom zur Maske (5-7 Bar): >310 l/min

Maximaler Luftstrom zur Maske (3-5 Bar): 200-310 l/min

Einsatzgrenzen

Halbmaske im reinen Druckluftbetrieb: 30-facher Grenzwert

Vollmaske im reinen Druckluftbetrieb: 200-facher Grenzwert

Im dualen Modus betrieben sind bei unterbrochener Druckluftzufuhr die Schutzfaktoren abhängig von den eingesetzten Filtern, z.B. Halbmaske mit A1 Filtern: 1000ppm oder 10-facher Grenzwert. Halbmaske mit A2 Filter: 5000ppm oder 10-facher Grenzwert. Vollmaske mit A2 Filter: 5000ppm oder 200-facher Grenzwert.

Druckluftversorgungsschläuche

Standard Anforderung nach EN14594 "B".

Maximale Länge der Druckluftschläuche: 30 metres

Maximaler Arbeitsdruck: 10 Bar

ZULASSUNGEN

Die vorliegenden Produkte erfüllen die Anforderungen der EG-Richtlinie 89/686/EWG (PSA-Richtlinie) und sind mit dem CE Zeichen gekennzeichnet.

Das Zertifikat nach Artikel 10, EG Baumusterprüfbescheinigung, und Artikel 11, EG-Qualitätsprüfung, wurde ausgestellt durch BSI, Kitemark Court, Davy Avenue, Knowhill, Milton Keynes, MK5 8PP, UK (Prüfstellennummer 0086).



Si raccomanda di leggere le presenti Istruzioni d'Uso e il depliant illustrativo congiuntamente alle Istruzioni d'Uso relative al respiratore 3M™ approvato o ai filtri 3M™ approvati, dove è possibile trovare informazioni circa:

Le combinazioni approvate tra maschere di protezione 3M™ e filtri 3M™

• Parti di ricambio

• Accessori

⚠ Prestare particolare attenzione alle frasi di avvertenza dove indicate.

Disimballaggio

Il sistema ad aria compressa 3M™ S-200+ è composto da:

a) Gruppo di regolazione (S-212)

b) Tubo di respirazione (S-222)

c) Cintura

d) Valvole di sovrafflusso

e) Dispositivo di controllo del flusso (FCB-01)

DESCRIZIONE DEL SISTEMA

Il sistema ad aria compressa 3M™ S-200+ è progettato per l'utilizzo con un respiratore 3M™ approvato (vedere depliant illustrativo).

Il prodotto soddisfa i requisiti dello standard EN14594 (Apparecchi di protezione delle vie respiratorie – Respiratori con linea d'aria compressa a flusso continuo).

L'unità di regolazione/controllo del flusso d'aria, da portare in vita, è dotata di un attacco in entrata e di un'uscita ausiliaria alla quale è possibile agganciare dispositivi per la verniciatura a spruzzo o utensili pneumatici.

Il regolatore d'aria è progettato e approvato per essere utilizzato in modalità combinata o in modalità ad aria compressa, insieme ai respiratori e ai filtri 3M™ elencati nel depliant illustrativo.

Modalità combinata

- In questa modalità deve essere montato sul tubo di respirazione un filtro per polveri e/o per gas e vapori appropriato.
- Il filtro montato ha la funzione di proteggere l'operatore quando la fornitura di aria compressa è disconnessa o quando non è possibile fare un collegamento con l'aria compressa (es. quando si entra o si esce dall'area contaminata).
- E' necessario selezionare dei filtri adatti ad offrire la protezione contro lo specifico contaminante.
- Deve essere utilizzata una coppia di filtri dello stesso tipo.
- La vita in uso dei filtri dipende dalla concentrazione ambientale del contaminante, dal tasso di lavoro, dal tempo di esposizione ecc. I filtri devono essere sostituiti quando si percepisce l'odore o il sapore del contaminante. Tuttavia è altamente raccomandato di sostituire i filtri regolarmente prima di percepire l'odore o il sapore del contaminante.
- I filtri devono comunque essere sostituiti entrambi con un nuovo paio ENTRO al massimo 1 mese anche se non si percepisce l'odore del contaminante. In caso di dubbi, sostituire in ogni caso i filtri con un nuovo paio.
- Ulteriori istruzioni e avvertenze riguardo la selezione, l'uso e la sostituzione dei filtri utilizzati in questa modalità sono reperibili nelle Istruzioni d'Uso relative al respiratore e ai filtri stessi.
- In caso di un settaggio elevato del regolatore oppure durante l'inspirazione, l'eccesso di aria potrebbe fuoriuscire dai filtri.
- Un'umidità eccessiva nell'aria fornita al sistema, può ridurre la durata dei filtri.
- **In associazione con il tubo di respirazione 3M possono essere utilizzati esclusivamente filtri approvati per le semimaschere, come indicato nel depliant illustrativo.**

Modalità ad aria compressa

- Il regolatore d'aria compressa 3M™ S-200+ associato a un respiratore 3M™ con attacchi a baionetta, può essere utilizzato nella modalità ad aria compressa, utilizzando una fonte esterna di aria compressa respirabile.
- Per settaggi di flusso elevati o durante l'inspirazione, l'eccesso di aria può fuoriuscire dalle valvole di sovrafflusso.

⚠ ATTENZIONE

- **Una giusta selezione, formazione all'uso ed una adeguata manutenzione sono essenziali per offrire a chi indossa il prodotto una protezione da alcuni contaminanti aerodispersi.**
L'insosservanza delle istruzioni qui riportate sull'uso di questi dispositivi per la protezione delle vie respiratorie e/o il mancato indossamento per tutto il periodo di esposizione, può arrecare

danni alla salute, invalidità gravi anche di carattere permanente.

- In caso di dubbi sull'adeguatezza di questo prodotto alle specifiche condizioni d'uso e per un corretto utilizzo, seguire le normative locali, fare riferimento a tutte le informazioni qui riportate, consultare un esperto in materia di sicurezza oppure contattare il Servizio Tecnico 3M.

Leggere tutte le istruzioni d'uso e conservarle come continuo riferimento.

Utilizzare questo sistema seguendo scrupolosamente tutte le istruzioni:

- Contenute nel presente libretto
 - Allegate agli altri componenti del sistema
 - Non utilizzare con concentrazioni di contaminanti superiori a quelle definite nelle Specifiche Tecniche.
 - Non utilizzare il sistema per la protezione delle vie respiratorie quando i contaminanti atmosferici sono sconosciuti oppure quando le concentrazioni non sono note o presentano un pericolo immediato per la vita e la salute (IDLH).
 - Non utilizzare in atmosfere contenenti meno del 19.5% di ossigeno (definizione 3M). I limiti riguardanti la presenza di ossigeno possono variare da nazione a nazione. In caso di dubbi, chiedere informazioni in merito).
 - Utilizzare esclusivamente respiratori, filtri, ricambi e accessori elencati nel depliant illustrativo e all'interno delle condizioni di utilizzo definite nelle Specifiche Tecniche.
 - Il sistema deve essere utilizzato unicamente da personale addestrato e competente.
 - Abbandonare immediatamente l'area contaminata se:
 - a) Una o più parti del sistema risultano danneggiate.
 - b) Il flusso d'aria verso il facciale diminuisce o si arresta.
 - c) La respirazione diventa difficoltosa.
 - d) Compaiono vertigini o altri malesseri.
 - e) Si avverte l'odore o il sapore del contaminante o si manifestano irritazioni.
 - Non modificare o alterare in alcun modo questo sistema. Sostituire le parti unicamente con pezzi di ricambio originali 3M™.
 - Non usare ossigeno o aria arricchita con ossigeno.
 - In caso si voglia utilizzare in ambienti potenzialmente esplosivi, contattare il Servizio Tecnico 3M.
 - Se utilizzato a temperature al di sotto di +4°C, è necessario controllare il contenuto di umidità dell'aria respirabile per evitare il congelamento del dispositivo.
 - Controllare sempre che:
 - la fonte di erogazione dell'aria sia conosciuta;
 - la purezza dell'aria erogata sia conosciuta;
 - la qualità dell'aria erogata sia conforme alla norma EN12021.
 - Assicurarsi che la capacità del sistema di adduzione d'aria sia sufficiente per ogni utilizzatore connesso.
 - Se si intende utilizzare un utensile pneumatico agganciato all'uscita ausiliaria, assicurarsi sempre che, quando l'utensile è utilizzato con il massimo consumo di flusso d'aria consentito, sia garantito al copricapo almeno il flusso d'aria minimo richiesto.
- La pressione minima richiesta quando si utilizza un utensile pneumatico è di 4,5 Bar. Per maggiori informazioni circa la compatibilità degli utensili pneumatici contattare 3M.
- **Quando in uso, questo prodotto potrebbe produrre un livello di rumore eccessivo. E' quindi necessario mettere a disposizione degli otoprotettori come richiesto.**
 - A ritmi di lavoro elevati, la pressione all'interno del respiratore può diventare negativa durante atti inalatori di picco.
 - Questo prodotto dovrà essere usato in situazioni lavorative nelle quali il rischio di danni al tubo della linea dell'aria compressa è basso e in cui i movimenti della persona che indossa il dispositivo sono limitati. La linea dell'aria compressa dovrà essere dotata di una valvola limitatrice della pressione adeguatamente dimensionata e regolata.
 - Il regolatore è dotato di attacchi con doppia azione di sicurezza. Fare attenzione quando si scollegano il tubo di respirazione e il tubo di fornitura dell'aria compressa. Assicurarsi sempre che gli attacchi con doppia sicurezza siano utilizzati insieme. Il tubo di respirazione riporta la scritta S-222 e l'attacco sul regolatore riporta la scritta "S" per indicare che sono in uso accessori con doppia azione di sicurezza.
 - Queste unità non sono da utilizzare con sistemi portatili per la produzione d'aria compressa
 - Se si percepiscono perdite d'aria durante l'uso del sistema, abbandonare immediatamente l'area contaminata e non tentare in

alcun modo di fermare la perdita con una qualunque parte del corpo.

- Non rimuovere gli anelli di tenuta in quanto questo potrebbe influire negativamente sulle prestazioni del sistema.

⚠ Non usare con barba, basette o baffi che potrebbero impedire una buona tenuta del respiratore sul volto.

- In caso di sia la possibilità di un'immersione accidentale dei filtri in acqua, questo sistema non deve essere utilizzato con i filtri montati.
- In caso di esposizione del sistema o dei filtri a fiamme, effettuare un controllo approfondito del sistema e sostituire i filtri.
- I materiali che vengono in contatto con la pelle dell'utilizzatore non sono causa di reazioni allergiche nella maggior parte delle persone.
- Questo prodotto non contiene componenti prodotti con lattice di gomma naturale.

MARCATURE

Per la marcatura del respiratore, fare riferimento alle relative istruzioni d'uso. Il Regolatore S-212 è marcato EN14594 4B e EN14594 3B e riporta la data di produzione.

I tubi per l'aria compressa sono marcati EN14594. Sono inoltre marcati come segue:

308-00-40P è marcato A - adatto per l'utilizzo con dispositivi di Classe A (EN14594).

308-00-72P è marcato "Resistente al calore" e "Antistatico"

PREPARAZIONE ALL'USO

Controllare sempre che il prodotto sia completo, privo di danni e montato correttamente. Qualsiasi parte mancante o danneggiata deve essere sostituita prima dell'uso con una parte originale 3M.

Effettuare un controllo prima dell'utilizzo del respiratore, come indicato nelle relative istruzioni d'uso.

Prima dell'utilizzo assicurarsi che gli anelli di tenuta siano posizionati correttamente.

Assicurarsi che l'attacco accessorio sia montato e sostituito correttamente dopo l'uso.

Assemblaggio

1. Agganciare la cintura al regolatore come mostrato in Figura 1.
 2. Agganciare il tubo di respirazione al regolatore come mostrato in Figura 2.
 3. Agganciare il tubo di respirazione al respiratore come mostrato in Figura 3.
- NOTA: Assicurarsi che il simbolo 3M sulla porzione a "Y" del tubo di respirazione sia rivolto verso l'alto per assicurare il corretto allineamento del tubo di respirazione.**
4. Se il sistema è utilizzato nella MODALITA' AD ARIA COMPRESSA, è necessario montare sul tubo di respirazione le VALVOLE DI SOVRAPFLUSSO (vedi Figura 4). Se il sistema è utilizzato nella MODALITA' COMBINATA, è necessario montare sul tubo di respirazione un PAIO DI FILTRI ADEGUATI (vedi Figura 5).

5. Collegare il tubo della linea dell'aria compressa tra l'unità di filtrazione d'aria 3M Aircare - opzionale - e il regolatore S-200+, accertandosi che la pressione dell'unità filtro sia regolata come descritto nella sezione Specifiche Tecniche.

6. Prima dell'uso, regolare il flusso in uscita dal sistema sul minimo ed effettuare un controllo del flusso utilizzando l'apposita sacca (vedi Figura 6). Assicurarsi che sia raggiunta una buona tenuta con la mano intono all'apertura della sacca.

ISTRUZIONI OPERATIVE

INDOSSAMENTO

1. Regolare e agganciare la cintura con il respiratore posizionato comodamente intorno alla vita.
2. Regolare e indossare il respiratore come indicato nelle relative istruzioni d'uso.
3. Assicurarsi che all'interno del respiratore arrivi almeno il flusso minimo necessario e regolare il flusso d'aria del regolatore per ottenere il massimo comfort.

IN USO

Se durante l'impiego l'alimentazione del flusso d'aria si interrompe o si riduce, evacuare immediatamente l'area contaminata e verificare la causa. Fare attenzione che il tubo di respirazione non si impigli su oggetti sporgenti. Nel caso questo accada evacuare l'area contaminata e controllare che l'apparecchiatura non sia danneggiata.

La vita di utilizzo del prodotto dipende dalla frequenza e dalle condizioni d'uso.

Se utilizzato quotidianamente, si raccomanda di sostituire il prodotto dopo circa 5 anni, purché il prodotto sia conservato e mantenuto come indicato di seguito.

L'utilizzo in condizioni estreme può determinare un deterioramento del sistema in minor tempo.

FINE UTILIZZO

Non rimuovere la maschera, i filtri o non interrompere l'alimentazione dell'aria fino a quando non avete lasciato l'area contaminata.

1. Rimuovere il respiratore, secondo le indicazioni riportate nelle relative istruzioni d'uso.
2. Disconnettere il tubo dell'aria compressa dal regolatore.
3. Sganciare la cintura di sostegno.

NOTA

Non scollegare il tubo di respirazione dal regolatore fintanto che il sistema è in pressione in quanto si avrebbe una fuoriuscita di aria ad alta pressione.

Se il respiratore è stato usato in un'area in cui ha subito una contaminazione con una sostanza che richiede delle procedure speciali di decontaminazione, esso deve essere messo in un contenitore adatto e sigillato fino a che non possa essere decontaminato o smaltito correttamente.

MANUTENZIONE

La manutenzione, l'assistenza e la riparazione devono essere effettuate soltanto da personale adeguatamente addestrato.

⚠ L'uso di parti non approvate o la modifica non autorizzata può portare a pericoli per la vita o la salute ed invalidare ogni garanzia.

Questo regolatore richiede una manutenzione limitata. Se uno qualunque dei componenti dovesse danneggiarsi, è necessario smaltirlo e sostituirlo. Tutti i componenti devono essere correttamente montati.

COSA	QUANDO
Ispezione generale	Prima dell'uso Mensilmente se non si fa un uso regolare

Pulizia	Dopo l'uso
---------	------------

Un registro di manutenzione deve essere tenuto durante il controllo mensile, in accordo con le Normative di Salute e Sicurezza. Questo registro dovrebbe essere tenuto per almeno 5 anni.

SOLUZIONE DEI PROBLEMI

Problema	Possibile causa	Soluzione
Nessuna erogazione di aria	1. Linea esterna dell'aria spenta 2. Tubo di erogazione dell'aria compressa bloccato o ostruito 3. Dispositivo difettoso	1. Aprire la linea di mandata 2. Controllare il tubo di erogazione 3. Sostituire il dispositivo
Flusso basso (il controllo del flusso dà esito negativo)	1. Insufficiente pressione o portata del flusso dell'aria esterna 2. Unità Aircare - unità filtrazione aria bloccata (se usata) 3. Dispositivo difettoso	1. Controllare la pressione e la portata del flusso di mandata 2. Controllare l'unità Aircare 3. Sostituire il dispositivo
Odore Rilevato	1. Respiratore indossato in modo non corretto o danneggiato 2. L'unità Aircare - unità filtrazione aria (se usata) richiede la manutenzione 3. Linea dell'aria esterna contaminata	1. Indossare nuovamente il respiratore oppure sostituirlo 2. Controllare l'unità Aircare 3. Controllare la qualità della linea dell'aria esterna

ISTRUZIONI PER LA PULIZIA

Si raccomanda la pulizia del dispositivo dopo ogni utilizzo.

Pulire il respiratore (esclusi i filtri) secondo quanto delineato nelle relative istruzioni d'uso.

Usare un panno pulito inumidito con soluzione tiepida di acqua e sapone liquido domestico.

Prima dell'utilizzo assicurarsi che i componenti interni siano completamente asciutti.

Non immergere il regolatore in acqua.

Non utilizzare l'aria compressa per la pulizia del prodotto.

Per la pulizia di qualsiasi parte del sistema non usare benzina, fluidi sgrassanti clorurati (come il tricloroetilene), solventi organici o prodotti per la pulizia abrasivi.

Per disinfettare usare i panni come descritto nel depliant illustrativo.

CONSERVAZIONE E TRASPORTO

Questi prodotti devono essere immagazzinati nell'imballo originale con cui vengono forniti, in condizioni asciutte, pulite e lontano da luce solare diretta, fonti di temperatura elevata, vapori di benzina e di solventi.

Non immagazzinare al di fuori dell'intervallo di temperatura compreso fra -10°C e +50°C oppure con una umidità superiore al 90%.

Quando immagazzinato così come prescritto, la durata a magazzino del prodotto è di 5 anni dalla data di fabbricazione.

La confezione originale è idonea per il trasporto del prodotto sul territorio dell'Unione Europea.

SPECIFICHE TECNICHE

Protezione Respiratoria

EN14594 Classe 4A/4B quando usato in combinazione con una maschera a pieno facciale approvata 3M™.

EN14594 Classe 3A/3B quando utilizzato in combinazione con una semimaschera approvata 3M™.

I respiratori e i tubi di respirazione soddisfano i più alti requisiti di resistenza (B) della EN14594. Sono approvati per l'utilizzo con una gamma di tubi per l'aria compressa che soddisfano entrambi i requisiti di minore e maggiore resistenza (A e B). Si rimanda alla sezione Marcatura Attrezzatura per maggiori informazioni.

Condizioni Operative

Da -0 a +40°C e umidità <90 %

Pressione d'ingresso

Intervallo pressione: 3,0 - 7,0 bar

Pressione massima: 10 bar

Caratteristiche del flusso d'aria in uscita

Flusso minimo garantito dal produttore (MMDF) 120 l/min

Flusso massimo (5-7 Bar): >310 l/min

Flusso massimo (3-5 Bar): 200-310 l/min

Limite massimo di utilizzo

Semimaschera in modalità aria compressa: 50 x TLV (Valore Limite di Soglia)

Pienofacciale in modalità aria compressa: 200 x TLV (Valore Limite di Soglia)

Quando disconnesso dall'aria compressa, la massima concentrazione di utilizzo dipende dai livelli riportati nelle istruzioni d'uso relative ai filtri utilizzati (es. quando un filtro A1 viene montato sulla semimaschera, la massima concentrazione d'uso in modalità con aria compressa è 50 x TLV, ma si riduce a 10 x TLV quando l'aria compressa è disconnessa).

Tubo Adduzione Aria Compressa (CAST)

Impiego standard secondo la EN14594 "B".

Lunghezza massima del tubo: 30 metri

Massima pressione operativa di sicurezza: 10 Bar

APPROVAZIONI

Questi prodotti soddisfano i requisiti di sicurezza della Direttiva Europea 89/686/EEC (Direttiva Dispositivi di Protezione Individuale) e per questo riportano la marcatura CE.

Certificazione secondo l'Articolo 10, esame CE di tipo, e secondo l'Articolo 11, controllo di qualità CE, emessa da BSI, Kitemark Court, Davy Avenue, Knowlhill, Milton Keynes, MK5 8PP, UK (Organismo Notificato numero 0086).

ES

Por favor, lea estas instrucciones de uso y manual de referencia junto con las instrucciones de uso de la máscara o filtro de 3M™, donde encontrará información sobre:

Combinaciones aprobadas de piezas faciales 3M™ y filtros 3M™

- Recambios
- Accesorios

⚠ Por favor, preste atención a las precauciones que se indican.

ANTES DE USAR EL EQUIPO

Su Regulador de aire 3M™ S-200+ debe contener:

- a) Regulador (S-212)
- b) Tubo de respiración (S-222)
- c) Cinturón
- d) Válvulas de sobreflujo
- e) Dispositivo de Comprobación de Caudal (FCB-01)

DESCRIPCIÓN DEL SISTEMA

El Regulador de aire 3M™ S-200+ está diseñado para utilizarse junto con las máscaras aprobadas de 3M™ (consulte el manual de referencia).

Este producto cumple los requisitos de la norma EN14594 (Equipos de protección respiratoria - Equipos respiratorios de línea de aire comprimido de flujo continuo).

La unidad de control de caudal se lleva en un cinturón y se ajusta con un enchufe rápido de entrada y un puerto de salida auxiliar para pistolas de pintura o herramientas neumáticas.

El regulador de aire está diseñado y aprobado para su uso en modo dual o en modo suministro de aire con las máscaras y filtros 3M™ que se indican en el manual de referencias.

Modo dual

- En este modo, el tubo de respiración se acopla a los filtros de partículas o gases y vapores adecuados.
- Los filtros proporcionarán protección cuando el suministro de aire comprimido está desconectado o cuando la conexión al suministro de aire no es viable (por ejemplo durante la entrada o la salida del área contaminada).
- Los filtros seleccionados deben ser los adecuados para proteger frente al contaminante.
- Deben utilizarse siempre un par de filtros idénticos.
- La vida efectiva del par de filtros dependerá del nivel de contaminantes, ritmo de trabajo, tiempo de exposición, etc... Los filtros deben reemplazarse cuando el usuario detecte el sabor u olor del contaminante a través de los filtros. En cualquier caso, se recomienda cambiar los filtros antes de detectar el contaminante.
- Los filtros deben reemplazarse (el par) en un periodo de 1 MES, incluso si no se detecta contaminante. En caso de duda, sustituya siempre los filtros por un par nuevo.
- En las instrucciones de uso de los filtros y de las máscaras encontrará más información referente a instrucciones y advertencias en la selección, uso y cambio de filtros.
- El exceso de aire saldrá a través de los filtros, bien sea por regulación del caudal o durante la exhalación.
- El exceso de humedad en suministro de aire puede afectar de forma adversa a la vida de los filtros.
- **Sólo los filtros designados para media máscara pueden utilizarse con el tubo de respiración de 3M, tal y como se indica en el manual de referencia.**

Modo de suministro de aire

- El regulador de suministro de aire 3M™ S-200+ junto con las piezas faciales 3M™ con conexión de bayoneta se pueden utilizar en modo de suministro de aire, utilizando una fuente externa de aire comprimido de calidad respirable.
- El exceso de aire consecuencia de una caudal de aire elevado o durante la exhalación, sale por las válvulas de exhalación.

⚠ ADVERTENCIA

- **Una adecuada selección y formación en el correcto uso y mantenimiento de los equipos son esenciales para proteger al trabajador. No seguir estas instrucciones de uso o no llevar el equipo puesto durante todo el tiempo que dura la exposición, puede tener efectos adversos sobre la salud del usuario y puede derivar en enfermedad grave o incapacidad permanente.**

• Si tiene alguna duda acerca de la adecuación de este producto a su puesto de trabajo, consulte con un especialista en Seguridad e Higiene en el trabajo o contacte con 3M.

• Guarde todas las instrucciones de uso como futura referencia.

• Utilice siempre este equipo de acuerdo con todas las instrucciones de uso:

- contenidas en este manual,
- que acompañen a otros componentes del sistema
- No utilice en concentraciones de contaminantes superiores a las especificadas en las Especificaciones Técnicas.
- Este equipo no debe utilizarse como protección respiratoria frente a contaminantes desconocidos, frente a concentraciones desconocidas o en situaciones inmediatamente peligrosas para la salud o la vida (IDLH).
- No utilice en atmósferas que contengan menos del 19.5% de oxígeno (definición de 3M; cada país puede aplicar sus propios límites de deficiencia de oxígeno. Consulten en caso de duda).
- Utilice sólo con las piezas faciales, filtros, recambios y accesorios que aparecen en el manual de referencia y dentro de las condiciones de uso dadas en las Especificaciones Técnicas.
- El equipo sólo debe ser utilizado por personal competente y formado.
- Abandone inmediatamente el área contaminada si:
 - a) Se daña alguna parte del sistema.
 - b) El caudal de aire en la máscara disminuye o se interrumpe.
 - c) La respiración se hace difícil.
 - d) Sufre mareos o molestias.
 - e) Nota olor, sabor o irritación producida por las sustancias contaminantes.
- Nunca modifique o altere este equipo. Sustituya las piezas sólo por recambios originales de 3M.
- No emplee oxígeno o aire enriquecido en oxígeno.
- En caso de uso en atmósferas explosivas, contacte con el servicio técnico de 3M.
- Cuando se utiliza a temperaturas inferiores a los +4°C, debe controlarse el contenido de humedad del aire que se respira para evitar que congele el equipo.
- Compruebe siempre que:
 - la fuente del aire es conocida;
 - la pureza del aire es conocida;
 - la calidad del aire cumple los requisitos de la norma EN12021.
- Asegúrese de que la capacidad del sistema de generación de aire es suficiente para todos los equipos conectados.
- Si se van a utilizar herramientas neumáticas a través del puerto auxiliar, asegúrese siempre de que se cumplen las condiciones mínimas de caudal en el interior de la pieza facial cuando la herramienta esté en su punto máximo de consumo de caudal de aire. La presión mínima requerida cuando se utiliza una herramienta de aire es 4,5 Bar. Para más información sobre compatibilidad con herramientas de aire, por favor, contacte con 3M.
- **Durante el uso de este equipo pueden producirse niveles excesivos de ruido al nivel del oído. En estos casos deberá proporcionarse la protección auditiva adecuada.**
- En ritmos de trabajo muy elevados, la presión en el interior de la máscara puede volver negativa durante un pico e inhalación.
- Este producto debe usarse únicamente en situaciones de trabajo en las que el riesgo de provocar daños en la manguera de aire comprimido sea reducido y en las que los movimientos del usuario sean limitados. El suministro de aire comprimido debe contar con una válvula de seguridad de alivio de presión adecuadamente aprobada y ajustada.
- El regulador se ajusta con una conexión de seguridad de doble acción. Tenga precaución al desconectar el tubo de respiración y la manguera de suministros de aire. Asegúrese siempre de utilizar la conexión de doble acción de forma simultánea. El tubo de respiración está marcado con S-222 y la conexión del regulador está marcada con una "S" para indicar que se utilizan conexiones de seguridad de doble acción.
- Estas unidades no son adecuadas para sistemas de generación de aire portátiles
- Si se detecta alguna fuga durante el uso del sistema, abandone el área contaminada inmediatamente y no intente parar la fuga con ninguna parte del cuerpo.
- No retire los anillos de sellado, ya que pueden afectar de forma

adversa al rendimiento del equipo.

⚠ No utilice este equipo si tiene barba u otro tipo de vello facial que pueda impedir el contacto entre el rostro y el borde de la máscara y, por tanto, un correcto sellado facial.

- El sistema no debe utilizarse con filtros si hay posibilidad de inmersión accidental en agua.
- Revise el sistema y cambie los filtros en caso de exposición a llamas.
- Los materiales que pueden entrar en contacto con la piel no son conocidos como agentes causantes de reacciones alérgicas en la mayoría de las personas.
- Este producto no contiene componentes fabricados con látex de caucho natural.

MARCADO

Para el marcado de la pieza facial, consulte las instrucciones de uso apropiadas.

El regulador S-212 está marcado según EN14594 4B y EN14594 3B y con la fecha de fabricación.

Los tubos de suministro de aire comprimido están marcados según EN14594. También están marcados según lo siguiente:

308-00-40P marcado A - Adecuado para su uso con equipos Clase A (EN14594).

308-00-72P está marcado para "Resistente al calor" y "Anti-estático".

PREPARACIÓN PARA EL USO

Compruebe que el equipo está completo, sin daños y correctamente ensamblado. Antes de utilizar el equipo, reemplace cualquier componente dañado con piezas originales de 3M.

Realice las comprobaciones de ajuste de la máscara tal y como se indica en las instrucciones de uso apropiadas.

Asegúrese de que las juntas de sellado están en su sitio antes del uso.

Asegúrese de que la conexión para accesorios está ajustada correctamente antes del uso.

Montaje

1. Ajuste el cinturón tal y como se muestra en la figura 1.
2. Ajuste el tubo de respiración al regulador como se muestra en la figura 2.
3. Ajuste el tubo de respiración a la pieza facial como se muestra en la figura 3.

NOTA: Asegúrese de que el símbolo 3M en la pieza en Y del tubo de respiración apunta hacia arriba para conseguir el correcto alineamiento del tubo de respiración.

4. Si el sistema se va a utilizar en MODO SUMINISTRO DE AIRE, entonces debe utilizar LAS VÁLVULAS DE SOBREFLUJO acopladas al tubo de respiración (ver figura 4). Si el sistema se va a utilizar en MODO DUAL, entonces debe utilizar UN PAR DE FILTROS ADECUADOS acoplados al tubo de respiración (ver Figura 5).

5. Conecte el tubo de suministro de aire comprimido entre la unidad de filtrado 3M Aircare – opcional y el regulador S-200+, verificando que la presión en la unidad de filtrado de aire esté ajustada en la forma descrita en la sección de Especificaciones técnicas.

6. Antes del uso, ajuste el regulador al mínimo de caudal y compruebe el caudal con la bolsa de comprobación de caudal (Ver Figura 6). Asegúrese de hacer un buen sellado con las manos alrededor de la abertura de la bolsa.

INSTRUCCIONES DE OPERACIÓN

COLOCACIÓN

1. Ajuste el cinturón con el regulador alrededor de la cintura.
2. Coloque y ajuste la pieza facial como se indica en las instrucciones de uso apropiadas.
3. Asegúrese de que se consigue el mínimo caudal en el interior de la máscara y ajuste el caudal para conseguir el máximo confort.

UTILIZACIÓN

Si durante el uso el caudal de aire disminuye o se interrumpe, salga inmediatamente del área contaminada e investigue la causa.

Cuide de que el tubo de respiración no se enrosque en algún objeto saliente. Si esto ocurre, abandone el área contaminada inmediatamente y compruebe que no hay ningún daño en el equipo.

La vida del producto en uso variará con la frecuencia y condiciones de uso.

En un uso diario, se recomienda cambiar el equipo tras, aproximadamente, 5 años de servicio, siempre que el equipo se haya mantenido y almacenado como se indica en estas instrucciones.

La exposición a condiciones extremas pueden acortar la vida del equipo.

FIN DE LA UTILIZACIÓN

No se retire la pieza facial, los filtros o desconecte el suministro de aire hasta que haya salido de la zona contaminada.

1. Retire la pieza facial tal y como se indica en sus instrucciones de uso.
2. Desconecte la manguera del regulador.
3. Desabroche el cinturón.

NOTA

No desconecte el tubo de respiración del regulador mientras el sistema está presurizado ya que esto puede liberarse aire a alta presión.

Si el equipo se utilizó en un área donde se haya contaminado por una sustancia que exige procedimientos de descontaminación, coloque éste en un recipiente adecuado y sellado hasta que puede ser descontaminado.

MANTENIMIENTO

Las tareas de mantenimiento, servicio y reparación sólo deben llevarse a cabo por personal debidamente capacitado.

⚠ El uso de componentes no aprobados o modificaciones no autorizadas en el equipo pueden poner en peligro la vida o la salud del usuario y pueden invalidar cualquier garantía otorgada al equipo.

Este equipo está diseñado para un mantenimiento mínimo. Si se daña algún componente, éste debe desecharse y reemplazarse. Los recambios deben instalarse correctamente.

QUÉ	CUÁNDO
Inspección general	Antes del uso Mensual si no se usa regularmente
Limpieza	Después de cada uso

Se recomienda tener un registro de los mantenimientos realizados a fin de cumplir con la legislación en Seguridad e Higiene vigente. Es conveniente guardar este registro durante, al menos, 5 años.

DETECCIÓN DE FALLOS

Problema	Causa posible	Solución
No hay caudal de aire	1. Suministro de aire externo cerrado 2. Manguera de aire comprimido obstruida o enganchada 3. Unidad defectuosa	1. Abrir el suministro 2. Inspeccionar la manguera 3. Cambiar la unidad
Caudal de aire (comprobación de caudal fallida)	1. Baja presión o caudal de suministro de aire externo 2. Aircare – Unidad de filtrado obstruida (si se utiliza) 3. Unidad defectuosa	1. Comprobar la presión y el caudal del suministro 2. Inspeccionar la unidad Aircare 3. Cambiar la unidad
Olor detectado	1. Pieza facial dañada o mal ajustada 2. Aircare – La unidad de filtrado de aire (si se la utiliza) requiere mantenimiento 3. Suministro de aire externo contaminado	1. Reajuste o sustituya la pieza facial 2. Inspeccionar la unidad Aircare 3. Comprobar la calidad del suministro externo

INSTRUCCIONES DE LIMPIEZA

Se recomienda limpiar el equipo después de cada uso.

Limpie la pieza facial (sin filtros) de acuerdo a las instrucciones de uso de la misma.

Utilice un paño limpio empapado con una disolución suave de detergente doméstico.

Asegúrese de que el interior de los componentes están secos antes de su uso.

No sumerja el regulador en agua.

No utilice aire comprimido para limpiar el producto.

No utilice gasolina, desengrasantes clorados (como tricloroetileno), disolventes orgánicos o agentes abrasivos para limpiar cualquier parte del equipo.

Para desinfectar, utilice toallitas según se indica en el manual de referencia.

ALMACENAMIENTO Y TRANSPORTE

Estos equipos deben almacenarse en su embalaje original, en lugar seco y limpio, protegidos de la luz solar directa, fuentes de temperatura elevada, combustibles y vapores de disolventes.

No almacene fuera del rango de temperatura -10°C a +50°C o con humedad superior a 90%.

Cuando se almacena como se indica, la duración estimada del equipo es de 5 años desde la fecha de fabricación.

El embalaje original es adecuado para transportar el producto en la Unión Europea.

ESPECIFICACIONES TÉCNICAS

Protección respiratoria

EN14594 Clase 4A/4B cuando se combina con una máscara completa3M™ aprobada.

EN14594 Clase 3A/3B cuando se combina con una media máscara3M™ aprobada.

Las máscaras faciales y el tubo de respiración cumplen los requisitos de resistencia más elevados (B) según EN14954. Están aprobados para su uso con una gama de mangueras que cumplen requisitos de resistencia más bajos y más altos (A y B). Por favor, consulte la sección de Marcado del Equipo para más información.

Condiciones de operación

-0 a +40°C y <90 % de humedad

Presión de entrada

Rango de presión: 3,0 - 7,0 bar

Presión máxima: 10 bar

Características de caudal

Caudal Mínimo de Diseño (MMDF) 120 l/min

Caudal máximo (5-7 Bar): >310 l/min

Caudal máximo (3-5 Bar): 200-310 l/min

Concentración máxima de uso

Media máscara en modo de suministro de aire: 50 x Valor Límite Ambiental

Máscara completa en modo de suministro de aire: 200 x Valor Límite Ambiental

Con el equipo desconectado, a concentración máxima de uso dependerá de los niveles indicados en las instrucciones de uso de los filtros (por ejemplo, si se utiliza un filtro A1, la concentración máxima de uso será 50 x VLA en modo suministro de aire, pero 10 x VLA cuando el aire está desconectado).

Manguera para aire comprimido

Manguera estándar según EN14954 "B".

Longitud máxima de manguera: 30 metros

Presión máxima de trabajo: 10 Bar

APROBACIONES

Estos productos cumplen los requisitos de la Directiva Europea 89/686/EEC (en España, R. D. 1407/1992) sobre equipos de protección individual y tienen marcado CE.

La certificación para estos productos según el artículo 10, examen CE de tipo, y según el artículo 11, control de calidad CE, ha sido emitida por BSI, Kitemark Court, Davy Avenue, Knowlhill, Milton Keynes, MK5 8PP, UK (Organismo Notificado número 0086).



Lees deze gebruikersinstructie en datasheet in combinatie met de juiste 3M™ gezichtsmasker of 3M™ filter gebruikersinstructie waar u informatie vindt over:

Goedgekeurde combinaties van 3M gelaatsmaskers en filters.

- Reserveonderdelen
- Accessoires

⚠ Bijzondere aandacht moet worden gevestigd op de waarschuwingen waar aangeduid.

UITPAKKEN

Uw 3M™ verseluchtstelsel S-200+ moet het volgende bevatten:

- a) Regelventiel (S-212)
- b) Ademslang (S-222)
- c) Riem
- d) Overdrukventielen
- e) luchtstroommeter (FCB-01)

BESCHRIJVING VAN HET SYSTEEM

Het 3M™ verseluchtstelsel S-200+ is ontworpen om te worden gebruikt in combinatie met een goedgekeurd 3M™ gelaatsmasker (zie datasheet).

Dit product voldoet aan de eisen van EN14594

(ademhalingsbeschermingsmiddelen – slangentoestel geschikt voor continue stromende samengeperste lucht).

De verstelbare regulator/luchtregelaar unit is rond de taille gemonteerd en voorzien van een inlaatstekker en een extra uitlaatpoort die in staat is om verspuilapparatuur of pneumatisch gereedschap aan te koppelen.

De voorziene luchtregulator is ontworpen en goedgekeurd voor gebruik in dual mode of systemen met luchttoevoer mode met de 3M™ gelaatsstukken en filters in de datasheet.

Dual mode

- In deze modus, worden de juiste deeltjes en/of gas- en dampfilters gemonteerd op de ademslang.
- De bijgevoegde filters zullen bescherming bieden wanneer de perslucht wordt losgekoppeld of de luchttoevoersluiting niet mogelijk is (bijvoorbeeld toegang tot en vertrek uit de verontreinigde gebieden).
- De gebruiker moet een filter kiezen die de juiste bescherming biedt tegen verontreiniging.
- Een paar identieke filters moeten te allen tijde worden gebruikt.
- De effectieve levensduur van een paar filters variëren, afhankelijk van de mate van verontreiniging, werksnelheid, blootstellingstijd, enz. Filters moeten worden vervangen wanneer de drager een verontreiniging waarneemt door verandering in smaak of geur. Reguleer filter vervangen voordat er een verontreiniging wordt waargenomen is echter sterk aanbevolen.
- Filters moeten per paar verang worden, zelfs als er geen verontreinigingen gedetecteerd zijn, BINNEN 1 maand. In geval van twijfel, altijd de filters vervangen door een nieuw paar.
- Verdere instructies en waarschuwingen met betrekking tot de keuze, het gebruik en de vervanging van filters in deze modus is te vinden in de filter- en gelaatsmasker gebruiksaanwijzing.
- Overmatige lucht kan door de filters stromen bij zowel een hogere regelaarinstelling als tijdens het uitademen.
- Overtollig vocht in de luchttoevoer kan een negatieve invloed hebben op de levensduur van het filter.
- **Alleen filters die geschikt zijn voor halfgelaatsmaskers kunnen worden gebruikt met de 3M Ademslang zoals aangegeven in de datasheet.**

Modus voor geleverde Lucht

- De 3M™ Geleverde Luchtregulator S-200+ samen met het 3M™ Gelaatsmasker met bayonet aansluiting kunnen worden gebruikt in de geleverde air modus, gebruikmakend van een externe bron van hoogwaardige adembare perslucht.
- Overmatige lucht kan wegstromen door de overstortventielen bij zowel een hogere regelaarinstelling als tijdens het uitademen.

⚠ WAARSCHUWING

- Een correcte selectie, opleiding, gebruik en het juiste onderhoud van het product zijn essentieel om de gebruiker te helpen beschermen tegen sommige verontreinigingen. Het niet opvolgen van alle instructies en waarschuwingen voor het gebruik van deze ademhalingsbescherming en/of het nalaten dit

masker te allen tijde bij blootstelling te dragen, kan nadelige gevolgen hebben voor de gezondheid van de drager of leiden tot ernstige levensbedreigende ziekten of invaliditeit.

- Volg de lokale wetgeving voor gebruik en geschiktheid, verwijst naar alle beschikbare informatie of neem contact op met een veiligheidsdeskundige of 3M vertegenwoordiger (zie adressen en telefoonnummers op meegeleverd boekje aan de binnenzijde).

Lees alle instructies voor gebruik en bewaar ze voor toekomstige raadpleging.

Gebruik dit ademhalingsbeschermingssysteem strikt in overeenstemming met alle instructies:

- - zoals beschreven in deze gebruiksaanwijzing,
 - - bijgevoegd bij de andere componenten van het systeem
 - Niet gebruiken in concentraties van verontreiniging boven hetgeen staat voorgeschreven in de technische specificatie.
 - Nooit gebruiken als adembescherming tegen onbekende verontreinigingen, indien de concentraties niet bekend zijn, of wanneer er onmiddellijk levensgevaar is.
 - Nooit gebruiken wanneer het zuurstofgehalte in de lucht lager is dan 19,5%. (Voorschrift van 3M. Individuele landen kunnen eigen limietwaarden voor zuurstoftekort toepassen. Vraag in geval van twijfel om advies).
 - Alleen gebruiken met het Gelaatsmasker, Filters, Onderdelen en Accessoires zoals aangegeven in de Referentietabel bijsluiters en op het gebruik voorwaarden opgenomen in de technische specificatie.
 - Alleen te gebruiken door opgeleid personeel.
 - Verlaat de verontreinigde zone onmiddellijk wanneer:
 - a) Een deel van het systeem beschadigd is.
 - b) De luchtstroom naar het gelaatsmasker afneemt of stopt.
 - c) Ademhalen moeilijk wordt.
 - d) Misselijkheid of ander ongemak optreedt.
 - e) U de verontreiniging ruikt of proeft, of als er irritatie ontstaat.
 - Verander nooit iets aan het product. Onderdelen alleen vervangen door originele 3M onderdelen.
 - Nooit zuurstof of met zuurstof verrijkte lucht gebruiken.
 - Indien u het systeem wilt gebruiken in een explosieve omgeving, neem dan contact op met 3M Technical Service.
 - Als hij gebruikt wordt in temperaturen lager dan +4°C moet het vochtgehalte van de ademlucht geregeld worden om te voorkomen dat het apparaat bevriest.
 - Zorg er altijd voor dat:
 - De luchttoevoerbron bekend is;
 - De zuiverheid van de luchttoevoer bekend is;
 - De luchttoevoer een adembare kwaliteit heeft, volgens EN12021.
 - Wees er zeker van dat het luchttoevoersysteem voldoende is voor elke gebruiker die hierop aangesloten is.
 - Als het de bedoeling is pneumatische accessoires te besturen via de aux-ingang, er altijd voor zorgen dat er een minimale stroming langs het gelaatsmasker gaat, wanneer de accessoire de maximale luchtstroom verbruikt.
- De minimale druk vereist bij het gebruik van luchtgereedschap is 4,5 Bar. Neem voor meer informatie over luchtgereedschaps compatibiliteit contact op met 3M.
- **Tijdens gebruik kan dit product geluidsoverlast bij het oer produceren. De vereiste gehoorbescherming moet beschikbaar worden gesteld.**
 - Bij een zeer hoge werksnelheid, kan de druk in het gelaatsstuk negatief worden bij een diepe inademing.
 - Dit product mag uitsluitend gebruikt worden in werksituaties waar het risico op schade aan de persluchtslang laag is en waar de drager weinig bewegingen maakt. Op de persluchttoevoer moet een geschikte en afstelbare drukontluchtingsklep zitten.
 - Het regelventiel is voorzien van dubbele actiekoppelingen. Wees voorzichtig bij het loskoppelen van de ademslang en de hogedrukslang. Gebruik de dubbele actiekoppelingen altijd tezamen. De ademslang is S-222 gemarkeerd en de koppeling aan het regelventiel wordt gemarkeerd met 'S' om aan te geven dat dubbele aclusluitingen worden gebruikt.
 - Deze eenheden zijn niet geschikt om te gebruiken met mobiele compressorluchtsystemen.
 - Als er lekken ontstaan terwijl het systeem in gebruik is, onmiddellijk het verontreinigde gebied verlaten en onder geen enkele omstandigheid

een poging doen om het lek te stoppen met welk deel van het lichaam dan ook.

- De afdichtingen niet verwijderen, omdat dit een negatieve invloed kan hebben op de prestaties van het systeem.

⚠ Uitsluitend geschikt voor personeel zonder baard. Baardharen onder de afdichting verminderen de afdichting/bescherming.

- Het systeem mag niet worden gebruikt met filters die mogelijk zijn ondergedompeld in water.
- Het systeem moet worden gecontroleerd en de filters vervangen, wanneer de filters zijn blootgesteld aan vlammen.
- Er zijn geen gevallen bekend waarin materialen die in contact komen met de huid allergische reacties veroorzaken.
- Dit product bevat geen onderdelen vervaardigd van natuurlijk latex rubber.

MARKERING

Voor de markering op een gelaatsmasker zie de geschikte gebruikersinstructie.

Het S-212 regelventiel is EN14594 4B en EN14594 3B gemarkeerd en voorzien van een fabricagedatum.

De hogedrukslangen zijn EN14594 gemarkeerd. Ze worden ook als volgt gemarkeerd:

308-00-40P is gemarkeerd A - geschikt voor gebruik met Klasse A apparaten (EN14594).

308-00-72P is gemarkeerd 'Hittebestendig' en 'Antistatisch'.

VOORBEREIDING VOOR HET GEBRUIK

Controleer of het product compleet, onbeschadigd en correct gemonteerd is. Alle beschadigde en defecte onderdelen moeten voor gebruik worden vervangen door originele 3M onderdelen.

Ondereem voorbereidende controles op het masker zoals beschreven in de juiste gebruiksaanwijzing.

Zorg ervoor dat de afdichtingen op hun plaats zitten voorafgaand aan gebruik.

Zorg ervoor dat de accessoire stekker na gebruik correct wordt uitgerust en vervangen.

Montage

1. Maak de riem aan het regelventiel, zoals weergegeven in afbeelding 1.
2. Maak de ademslang aan het regelventiel zoals weergegeven in afbeelding 2.
3. Maak de ademslang aan het gelaatsmasker zoals weergegeven in afbeelding 3.

OPMERKING: Zorg dat het "Y" symbool op het "Y" stuk van de ademslang naar boven is gericht om de juiste bevestiging van de ademslang te garanderen.

4. Wanneer het systeem wordt gebruikt als versluchtstelsysteem, dan moeten er een paar overdrukventielen worden geplaatst op de ademslang (zie afbeelding 4). Wanneer het systeem wordt gebruikt als DUAAL systeem dan moeten er een paar van de JUISTE FILTERS op de ademslang worden geplaatst (zie afbeelding 5).

5. Sluit de perslucht slang aan tussen de optionele 3MAircare – luchtfiltereenheid en het S-200+ regelventiel, waarbij u ervoor moet zorgen dat de druk bij de luchtfiltereenheid afgesteld wordt zoals beschreven staat in het deel technische specificaties.

6. Zet het regelventiel op de laagste stand en controleer de luchtstroom met behulp van de luchtstroom check zak (Zie afbeelding 6). Zorg ervoor dat een goede afdichting is gevormd met uw hand rond de opening van de zak.

GEBRUIKSAANWIJZING

DRAGEN VAN HET SYSTEEM

1. Maak de riem met het regelventiel comfortabel rond uw taille vast.
2. Pas het gezichtsmasker aan zoals beschreven in de betreffende gebruikersinstructie.
3. Waarborg op zijn minst minimale luchtstroom in het gezichtsmasker en pas de luchtstroom van het regelventiel aan voor maximaal comfort.

IN GEBRUIK

Indien bij gebruik de luchtstroom stopt of vermindert, verlaat u de gecontamineerde zone onmiddellijk en onderzoek u de oorzaak. Pas ervoor op dat de ademslang niet rond uitpuilende objecten blijft haken. Indien dit zou gebeuren, verlaat de gecontamineerde zone en kijk de ademslang na op beschadigingen.

De 'in-gebruik' levensduur van de helm zal variëren afhankelijk van de frequentie en de gebruiksomstandigheden.

In het dagelijks gebruik is het aanbevolen het product weg te gooien na ongeveer 5 jaren dienst, op voorwaarde dat het product wordt opgeslagen en onderhouden zoals hieronder vermeld.

Sommige extreme omstandigheden kunnen leiden tot een verkorte levensduur van het product.

VRUJMAKEN VAN HET SYSTEEM

Verwijder het gelaatsmasker of de filters niet en schakel de luchtstroom niet uit totdat u de verontreinigde zone hebt verlaten.

1. Verwijder het gezichtsmasker, in overeenstemming met de gebruikersinstructies.
2. Maak de perslucht slang los van het regelventiel.
3. Maak de riem los.

OPMERKING

Ontkoppel de ademslang niet van het regelventiel, terwijl het systeem nog onder druk staat, omdat dit zal leiden tot het vrijkomen van lucht onder hoge druk.

Indien het systeem gebruikt wordt in een zone met een product dat vervuiling veroorzaakt waarvoor speciale decontaminatieprocedures bepaald zijn, moet het systeem geplaast worden in een daarvoor voorziene container die kan worden afgesloten tot het systeem gedesinfecteerd of verwijderd is.

ONDERHOUD

Onderhoud, service en reparaties mogen enkel uitgevoerd worden door hiervoor opgeleid personeel.

⚠ Gebruik van niet-goedgekeurde onderdelen of ongeoorloofde aanpassingen kunnen levensgevaarlijke gebruikssituaties veroorzaken. Elke garantie komt dan te vervallen.

Dit gasmasker is ontworpen voor minimaal onderhoud. Als onderdelen zijn beschadigd, moeten ze worden verwijderd en vervangen. Alle vervangingsonderdelen moeten correct worden geïnstalleerd.

HOE	WANNEER
Algemene Controle	Voor gebruik Maandelijks indien niet regelmatig in gebruik
Reiniging	Na gebruik

Een overzicht van het uitgevoerde onderhoud (b.v. van de maandelijkse controle) moet worden bijgehouden gedurende minstens 5 jaar en moet voldoen aan de lokale regelgeving.

Probleem Oplossen

Symptoom	Mogelijke Oorzaak	Oplossing
Geen luchtstroom	1. Externe luchttoevoer uitgeschakeld 2. Perslucht slang geblokkeerd of bekneld 3. Eenheid defect	1. Zet toevoer aan 2. Controleer toevoerslang 3. Vervang eenheid
Lage luchtstroom (falende luchtstroom)	1. Lage externe lichttoevoerdruk of -stroom 2. Aircare – luchtfiltereenheid geblokkeerd (indien gebruikt) 3. Eenheid defect	1. Controleer toevoerdruk en stroom 2. Controleer Aircare-eenheid 3. Vervang eenheid

Geur ontdekt	1. Gelaatsmasker slecht uitgerust of beschadigd 2. Aircare – luchtfiltereenheid (indien gebruikt) 3. Externe luchttoevoer verontreinigd	1. Pasvorm aanpassen of vervang gelaatsmasker 2. Controleer Aircare-eenheid 3. Controleer kwaliteit van externe toevoer
--------------	---	---

REINIGINGSINSTRUCTIES

Reinigen wordt na elk gebruik aanbevolen.

Reinig het gelaatsmasker (met uitzondering van filters) in overeenstemming met de gebruiksaanwijzing.

Gebruik een schone doek met een oplossing van water en een milde huishoudelijke zeep.

Zorg ervoor dat het interieur van de componenten droog is vóór gebruik.

Dompel het regelventiel niet in water.

Gebruik geen perslucht voor reiniging van het product.

Gebruik geen benzine, gechloreerde ontvetters (zoals trichloorethyleen), organische oplosmiddelen en reinigingsproducten met schuurmiddel om systeemonderdelen te reinigen.

Om te desinfecteren gebruik de doeken zoals vermeld in het referentieblad.

OPSLAG EN TRANSPORT

Deze producten moeten opgeslagen worden in droge en schone omstandigheden, niet in direct zonlicht of nabij bronnen van hoge temperatuur, en vrij van benzinedampen en dampen van oplosmiddelen.

Niet bewaren buiten het temperatuurbereik -10°C tot 50°C of bij een vochtigheidsgraad hoger dan 90%.

Wanneer dit product volgens de voorschriften wordt bewaard, bedraagt de verwachte bewaartijd 5 jaar vanaf de productiedatum.

De originele verpakking is geschikt om het product binnen de Europese Gemeenschap te vervoeren.

TECHNISCHE SPECIFICATIES

Ademhalingsbescherming

EN14594 Klasse 4A/4B indien gecombineerd met een goedgekeurd 3M™ volgelaatsmasker.

EN14594 Klasse 3A/3B indien gecombineerd met een goedgekeurd 3M™ halfgelaatsmasker.

De maskers en hogedruk luchtslangen die voldoen aan de hogere (B) eisen van EN14594. Ze zijn goedgekeurd voor gebruik met een reeks aan persluchtslangen die voldoen aan de hogere (A en B) eisen. Zie apparatuur markeringssectie voor informatie.

Gebruiksvoorwaarden

-0 tot +40°C en <90 % vochtigheidsgraad

Ingangsdruk

Drukbereik: 3,0 - 7,0 bar

Maximum druk: 10 bar

Luchtstroomeigenschappen van de uitlaat

Minimale luchtstroom volgens de fabrikant (MMDF) 120 l/min

Maximale luchtstroom (5-7 Bar): >310 l/min

Maximale luchtstroom (3-5 Bar): 200-310 l/min

Maximale gebruiksbeperking

Halfgelaatsmasker in de luchttoevoermodus: 50 x wettelijke grenswaarde.

Volgelaatsmasker in de luchttoevoermodus: 200 x wettelijke grenswaarde.

Wanneer losgekoppeld zal de maximale concentratie afhangen van de niveaus genoemd in de juiste filtergebruiksaanwijzing (bijvoorbeeld wanneer A1 filters zijn gemonteerd op een halfgelaatsmasker zal de maximale gebruiksconcentratie 50 x de wettelijke grenswaarde als verseluchtsysteem hebben, maar slechts 10 x de wettelijke grenswaarde zonder luchttoevoer).

Persluchttoevoerslang (CAST)

Voldoet aan EN14593 'B'.

Maximale lengte (CAST) (30 meter)

Maximaal veilige werkdruk: 10 Bar

KEURINGEN

Deze producten voldoen aan de eisen van de EG Richtlijn 89/686/EEC (Persoonlijke Beschermings Richtlijn) en zijn dus CE gemerkt.

Certificering onder Art. 10, EC Type-Examination, en Art. 11, EC

kwaaiteitscontrole, is vrijgegeven door: BSI, Kitemark Court, Davy Avenue, Knowlhill, Milton Keynes, MK5 8PP, UK (Keuringsinstantienummer 0086).



Vänligen läs denna bruksanvisning tillsammans med referensdatablad för relevant 3M™ huvudtopp eller 3M™ filter bruksanvisning där du hittar information om:

Godkända kombinationer av 3M™ maskstomme och 3M™ filter

- Reservdelar
- Tillbehör

⚠ Varningsmeddelanden, där sådana visas, ska uppmärksammas noga.

UPPACKNING

Förpackningen med 3M™ tryckluftsregulator S-200+ ska innehålla:

- a) regulator (S-212)
- b) andnings slang (S-222)
- c) bälte
- d) övertrycksventiler
- e) flödeskontrollenhet (FCB-01)

SYSTEMBESKRIVNING

3M™ tryckluftsregulator S-200+ är utformad för att användas tillsammans med en godkänd 3M™ huvudtopp (se referensdatablad).

Denna produkt uppfyller kraven i SS-EN14594 (Andningskydd – Tryckluftsapparat med kontinuerligt flöde).

Den justerbara regulator/flödeskontrollenheten som är midjemonterad och försedd med en inloppsplugg och en extra utloppsport kan användas till färgsprutningsutrustning eller pneumatiska verktyg.

Den medföljande flödesregulator är konstruerad och godkänd för användning i Dual-mode läge eller tryckluftsläge med 3M™ maskor och filter som finns listade i referensdatabladet.

Dual mode läge

- I det här läget är lämpligt partikel- och/eller gas-och ång filter monterade på andningsslängen.
- De monterade filterna ger skydd när tryckluften är fränkopplad eller när trycklufttillförseln inte är möjlig (t.ex. ingång till och utgång från förorenade områden).
- Användaren måste välja filter som ger skydd mot de aktuella föroreningarna.
- Ett par identiska filter ska alltid användas.
- Livslängden hos ett par filter kommer att variera beroende på graden av förorening, ansträngningen vid arbetet, exponeringstid osv. Filterna byts ut när användaren kan känna genombrott av föroreningar genom smak eller lukt. Regelbundna filterbyten innan föroreningar upptäcks rekommenderas.
- Båda filterna måste bytas, även om ingen förorening upptäcks inom 1 månad. Om du är osäker, byt alltid ut filtren mot ett nytt par.
- Ytterligare anvisningar och varningar som rör val, användning och utbyte av filter finns i bruksanvisningarna för filtrena och maskerna.
- Överskottsluft kan strömma ut genom filtren, antingen vid högre regulatorinställningar eller vid utandning.
- Överskottsfukt i lufttillförseln kan påverka filtrets livslängd negativt.
- **Endast filter avsedda för halvmasker kan användas med 3M andningssläng som visas i referensdatabladet.**

Tryckluftsläge

- 3M™ tryckluftsregulator S-200+ tillsammans med 3M™ mask med bajonettanslutningar kan användas i tryckluftsläge. Då används en extern tryckluftskälla med andningsbar luft.
- Överskottsluft kan strömma ut ur flödesventilerna vid högre regulatorinställningar eller vid utandning.

⚠ VARNING

- **Korrekt val, utbildning, användning och lämpligt underhåll är grundläggande för att produkten ska skydda användaren från luftburna föroreningar. Underlåtelse att följa alla instruktioner för detta andningskydd och/eller underlåtelse att bära produkten under hela exponeringstiden kan allvarligt skada användarens hälsa och leda till allvarigt eller livshotande sjukdom eller permanenta skador.**

- För lämplighet och korrekt användning ska lokala bestämmelser följas och den bifogade informationen studeras. Kontakta skyddsansvariga eller en representant från 3M (se de lokala kontaktpuppgifterna).

Läs igenom hela bruksanvisningen och spara för framtida behov.

Använd denna produkt i enlighet med alla anvisningar:

- - i detta häfte,

- - som medföljer andra komponenter i systemet
- Använd inte produkten vid koncentrationer av föroreningar som är högre än det som specificeras i tekniska specifikationen.
- Utrustningen får inte användas som skydd mot föroreningar vars koncentrationer eller sammansättningar är ökända eller omedelbart livshotande (IDLH).
- Utrustningen får inte användas om syrehalten i omgivande luft är lägre än 19,5% (definition enl. 3M. Enskilda länder kan tillämpa egna gränser för syrebrist. Sök information om du är osäker).
- Använd endast med maskor, filter, tillbehör och reservdelar som listas i referensdatablad och under de förhållanden som ges i tekniska specifikationen.
- Får endast användas av personal med utbildning i användning av utrustningen.
- Lämna omedelbart det förorenade området om:
 - a) Någon del av systemet skadas.
 - b) Luftflödet till andningskyddet minskar eller upphör.
 - c) Det blir svårt att andas.
 - d) Yrsel eller andra obehag uppstår.
 - e) Du känner lukt eller smak av föroreningar eller om du känner irritation i luftvägarna.
- Modifiera eller ändra aldrig produkten. Använd endast originaldelar från 3M vid reservdelsbyte
- Använd inte syre eller syreberikad luft.
- Kontakta 3M om du avser att använda produkten i explosiva miljöer.
- Vid användning i temperatur under +4°C ska andningsluftens luftfuktighet kontrolleras, för att undvika att den orsakar att utrustningen fryser.
- Kontrollera alltid att:
 - Lufttillförselns källa är känd
 - Lufttillförselns renhet är känd
- Den tillförda luften är av andningsbar kvalitet, till EN12021.
- Säkerställ att kapaciteten på tryckluftssystemet är tillräcklig för varje ansluten användare.
- Om man ska driva pneumatiska tillbehör via den extra porten, se alltid till att åtminstone minsta luftflödet för masken är uppfyllt när tillbehöret förbrukar maximala luftflöde.

Minsta trycket som krävs vid användning av ett tryckmatat verktyg är 4,5 Bar. För mer information om kombabilitet med verktyg kontakta 3M.

• Vid användning kan denna produkt ge för höga ljudnivåer vid örat. Hörselskydd ska vara tillgängliga vid behov.

- Vid mycket hög arbetstakt, kan trycket inuti masken bli negativt vid djupa inandningar.
- Denna produkt ska endast användas i arbetssituationer där risken för skador på tryckluftsslängen är liten och där användarens rörelse under arbetet är begränsad. Tryckluftsslängen ska vara utrustad med rätt klassad och justerad säkerhetsventil för övertryck.
- Denna regulator är utrustad med dubbla säkerhetskopplingar. Var försiktig vid fränkoppling av andningsslängen och slangen för lufttillförsel. Se till att de dubbla kopplingarna används tillsammans. Andningsslängen är märkt S-222 och kopplingen på regulator är märkt med "S" för att visa att båda säkerhetskopplingarna används.
- Dessa enheter ska inte användas med ett mobil tryckluftssystem.
- Om något luftläckage upptäcks medan systemet är i bruk, lämna den kontaminerade området omedelbart och försök under inga omständigheter att stoppa läckan med någon del av kroppen.
- Ta inte bort tätningsringarna eftersom detta kan påverka systemets prestanda negativt.
- **⚠ Får inte användas som skägg eller annat ansiktshår kan förhindra god kontakt mellan ansikte och mask och därför hindrar hindra masken från att ge ett fullgott skydd.**
- Systemet får inte användas med bifogade filter där det finns en möjlighet att det oavsiktligt blir nedsänkt i vatten.
- Systemet ska kontrolleras och filter ersättas om enheten eller filter har blivit utsatt för lägor.
- Material i produkten som kan komma i kontakt med användarens hud är inte kända för att ge allergiska reaktioner.
- Denna produkt innehåller inga komponenter av naturgummilatex.

MÄRKNING

För märkningen på masken se tillämplig bruksanvisning.
S-212 regulator är märkt enligt SS-EN14594 4B och SS-EN14594 3B och med tillverkningsdatum.

Tryckluftsslängarna är märkt enligt SS-EN14594. De är också märkta enligt följande:

308-00-40P är märkt A - för användning med klass A skydd (EN14594).
308-00-72P är märkt "Heat resistant" (värmelätlig) eller "Anti static" (antistatisk).

FÖRBEREDELSE

Kontrollera att utrustningen är komplett, oskadad och rätt sammansatt. Eventuella skadade eller felaktiga delar måste ersättas med originaldelar från 3M före användning.

Innan användning genomförs en kontroll av masken enligt bruksanvisningen. Se till att tätningsringarna är på plats innan användning.

Se till att pluggen sitter ordentligt och ersätts korrekt efter användning.

Montering

1. Passa in regulatorn i bälten enligt figur 1.
2. Passa in andningsslangen i regulatorn enligt figur 2.
3. Passa in andningsslangen i masken enligt figur 3.

OBS: Se till att 3M symbolen på "Y" delen av andningslagen är uppåt för att få rätt riktning på andningsslangen.

4. Om systemet ska användas i TRYCKLUFTSLÄGE, ska ett par ÖVERFLÖDSVENTILER användas (se figur 4). Om systemet ska användas i DUAL MODE läge ska ett par KORREKTA FILTER användas (se figur 5).
5. Anslut tryckluftsslängen mellan 3M Aircare – luftfiltreringsenhet (tillval) och S-200+ Regulatorn, och kontrollera att trycket vid luftfiltreringsenheten är justerat enligt anvisningarna i avsnittet tekniska specifikationer.
6. Justera regulatorn till lägsta flödet och gör en flödeskontroll med flödeskontrollpåsen, se figur 6, innan användning. Tillse att det blir en bra tätning med handen runt om öppningen på påsen.

BRUKSANVISNING

PÅTAGNING

1. Justera och spänn bälten med regulatorn, bekvämt runt din midja.
2. Justera och tillpassa masken enligt bild i tillämplig bruksanvisning.
3. Tillse att minsta luftflödet i masken är uppnått och justera luftflödet för bästa komfort.

ANVÄNDNING

Lämna genast det förorenade området om luftflödet minskar eller upphör under användning och kontrollera vad som är orsaken.
Kontrollera så att luftslängen inte fastnar i utskjutande föremål. Lämna det förorenade området om detta inträffar och kontrollera att utrustningen inte är skadad.

Livslängden för produkten varierar med användningsfrekvensen och miljön vid användning.

Vid användning av utrustningen varje dag, rekommenderas att produkten byts ut efter ungefär 5 år, förutsatt att produkten förvaras och underhålls enligt nedanstående instruktioner.

Vissa extrema förhållanden kan resultera i att produkten behöver bytas ut efter en kortare period.

AVTAGNING

Ta inte av masken eller filtren, stäng inte heller av lufttillförseln förrän du har lämnat det förorenade området.

1. Avlägsna masken enligt relevant bruksanvisning.
2. Koppla ifrån tryckluftsslängen från regulatorn.
3. Knäpp upp midjebälten.

NOTERA

Koppla ifrån andningsslangen från regulatorn när tryckluftssystemet är avstängt. Annars släpps tryckluften ut i luften.

Om andningsskyddet har använts i ett område där det har förorenats med substanser som kräver speciella saneringsåtgärder ska det placeras i lämplig behållare och förseglas tills det kan saneras

UNDERHÅLL

Underhåll, service och reparationer får endast utföras av utbildad personal.

⚠ Användning av ej godkända delar och utförande av ej auktoriserade ändringar kan vara hälsovådligt och livsfarligt samt ogiltiggöra garantin.

Detta andningsskydd är utvecklat för minsta underhåll. Om någon komponent blir skadad, ska den kasseras och bytas ut. Alla reservdelar måste installeras korrekt.

VAD	NÄR	
Generell inspektion	Före användning Varje månad om inte användningen är regelbunden	
Rengöring	Efter användning	
Dokumentera underhållet för de månatliga genomgångarna. Det hör till säkerhetsföreskrifterna. Denna dokumentation bör sparas i minst fem år.		
Felsök		
Symptom	Möjlig felorsak	Åtgärd
Ingen lufttillförsel	1. Extern lufttillförsel avstängd 2. Tryckluftsslängen är blockerad eller har fastnat 3. Defekt enhet	1. Vrid på tillförseln 2. Kontrollera tryckluftsslängen 3. Byt ut enheten
Lågt luftflöde (icke godkänd flödeskontroll)	1. Lågt tryck eller flöde för extern lufttillförsel 2. Aircare – luftfiltreringsenhet blockerad (om sådan används) 3. Defekt enhet	1. Kontrollera lufttillförselns tryck och flöde 2. Kontrollera Aircare-enheten 3. Byt ut enheten

RENGÖRNING

Rengöring rekommenderas efter varje användning.

Rengör masken (förutom filtrena) i enlighet med bruksanvisningen. Använd en ren trasa som fuktats med en mild tvålösning.

Tillse att insidan av komponenterna är torra innan användning.

Sänk inte ner regulatorn i vatten.

Använd inte tryckluft för att rengöra produkten.

Använd inte bensin, klorerade avfettningsmedel, organiska lösningsmedel eller slipande rengöringsmedel för rengöring av utrustningens delar.

I referensbroshyren finns information om vilka sorts rengöringsservetter som kan användas vid desinficering.

FÖRVARING OCH TRANSPORT

Dessa produkter skall förvaras i förpackningen i en torr och ren miljö och ej i direkt soljus eller i närheten av värmekällor, bensin- eller lösningsmedelsångor.

Förvara inte utanför temperaturområdet -10°C till +50°C eller med en luftfuktighet över 90%.

Under anvisade förvaringsförhållanden är den förväntade lagringstiden på produkten 5 år efter tillverkningsdatum.

Förpackningarna till dessa produkter lämpar sig för att transportera produkterna inom EU-området.

TEKNISK SPECIFIKATION

Andningsskydd

EN14594klass 4A/4B vid kombination med godkänd 3M™ helmask.

EN14594klass 3A/3B vid kombination med godkänd 3M™ halvmask.

Maskerna och andningsslängarna möter de högre kraven hällefästhetskraven, B, enligt SS-EN14594. De är godkända för en serie tryckluftsslängar som möter både lägre och högre hällefästhetskrav, A och B. Se Produktmärkning för information.

Driftstemperatur

-0 till +40°C och <90 % luftfuktighet

Matningstryck

Tryckområde: 3,0 - 7,0 bar

Maximalt tryck: 10 bar

Frånluftsegenskaper

Luftflöde (Manufacturers Minimum Design Flow (MMDF)) : 120 l/min

Maximalt flöde (5-7 Bar): >310 l/min

Maximalt flöde (3-5 Bar): 200-310 l/min

Maximala gränsvärden

Halvmask i tryckluftsläge: 50 x hygieniska gränsvärdet

Helmask i tryckluftsläge: 200 x hygieniska gränsvärdet

Vid fränkopplat läge är den maximala koncentrationen listad i relevant filer referensdatablad (ex A1 filter i en halvmask ger maximal koncentration 50 x hygieniska gränsvärdet i tryckluftsläge och 10 x hygieniska gränsvärdet med luften fränkopplad.

Tryckluftsslang (CAST)

Standard enligt SS-EN14592 "B".

Maximala slanglängd: 30 meter

Maximala arbetstryck: 10 Bar

GODKÄNNANDEN

Dessa produkter uppfyller kraven i EU-direktivet 89/686/EEC (direktivet för personlig skyddsutrustning) och är därför CE-märkta.

Certifiering under Artikel 10, EG-typkontroll och Artikel 11, EG-kvalitetskontroll, har utfärdats av BSI, Kitemark Court, Davy Avenue, Knowlhill, Milton Keynes, MK5 8PP, UK (Anmält organ nummer 0086).



Læs venligst denne brugsanvisning og referenceblad i forbindelse med 3M™ maske eller 3M™ filter brugsanvisning hvor du kan få information om: Godkendte kombinationer på 3M™ Ansigtmasker og 3M™ Filtre.

- Reserveredele
- Tilbehør

⚠ Vær særlig opmærksom på advarselsklæringer der gives

UDPÅKNING

Din 3M™ Regulator S-200+ skal indeholde:

- a) Regulator (S-212)
- b) Luftslange (S-222)
- c) Bælte
- d) Overtryksventiler
- e) Flow Check enhed (FCB-01)

SYSTEMBESKRIVELSE

3M™ Regulatoren S-200+ er beregnet til brug sammen med en godkendt 3M™ Hoveddel (se referenceblad).

Dette produkt lever op til kravene i EN14594 (trykluftforsynet åndedrætsværm med kontinuert luftflow.)

Den justerbare regulator/kontrolrothend er bæltemonteret og forsynet med en nippel til indgangsluft og en udgangsport til sprøjtepistol eller pneumatisk værktøj.

Regulatore er designet og godkendt til brug i dobbelt funktion eller luftforsyningsfunktion med 3M™ Masker og filtre som vist i referencebladet.

Dobbelt funktion

- I denne funktion er egnede partikel og/eller gasfiltre monteret på luftslangen.
- Filtrene vil yde beskyttelse når luftslangen frakobles eller luftforsyning ikke er mulig pga. ind- eller udgang fra forurenede område.
- Brugere skal vælge filtre egnet til forureningen.
- Et identisk par filtre skal altid anvendes
- Levetiden på filtrene vil variere afhængig af forureningsgraden, arbejdsniveau, eksponering o.s.v. Filtrene bør udskiftes når brugeren kan lugte eller smage forureningen. Regelmæssig udskiftning af filtre førend forurening kan spores er anbefalet.
- Filtre skal udskiftes parvis selvom der ikke fornemmes nogen forurening, indenfor 1 måned. Hvis der er nogen tvivl så skift filtrene.
- Yderligere instrukser og advarsler vedr. valg, brug og udskiftning af filtrene i denne funktion, findes i Filter- og maske brugsanvisninger.
- Overskydende luft passerer gennem filtrene, enten ved høj regulator niveau eller ved udånding.
- Fugt i luftforsyningen vil have effekt på filterlevetid.

- **Kun filtre der er beregnet til halvmasker kan anvendes med 3M Luftslangen som vist i referencebladet.**

Luftforsynings funktion

- 3M™ Regulatoren S-200+ sammen med 3M™ Masker med bajonet fatning kan anvendes i luftforsyningstilstand med en ekstern luftforsyning af egnet trykluft til indånding.
- Overskydende luft kommer ud af overskudsventilerne, enten ved høj regulator niveau eller ved udånding.

⚠ ADVARSEL

- **Korrekt udvælgelse, uddannelse, brug og vedligeholdelse er afgørende for, om produktet beskytter brugeren imod visse luftbårne forurenende stoffer. Undlad at følge alle instruktioner om brugen af disse åndedrætsværm og/eller undlad korrekt brug af produktet i hele perioden af eksponering, kan det skade brugerens helbred, føre til alvorlig og livstruende sygdom eller varig invaliditet.**
- For egnethed og korrekt brug, følg alle brugsanvisninger og de lokale myndighedsregler. Ved tvivlstilfælde, kontakt den sikkerhedsansvarlige eller 3M's lokale repræsentant.

Se alle instruktioner før brug og gem til fremtidig reference.

Brug dette åndedrætsværm i nøje overensstemmelse med alle instruktioner:

- - I denne brugsanvisning,
- - I brugsanvisningen til andre komponenter til udstyret
- Anvend ikke i koncentrationer over det der er specificeret i de tekniske specifikationer.

- Dette åndedrætsværm må ikke benyttes som beskyttelse mod ukendte luftforureninger, hvor forureningens koncentration ikke er kendt eller hvor koncentrationen er umiddelbart livsfarlig.
- Brug ikke udstyret på steder hvor luften indeholder mindre end 19,5% ilt (3M's definition. I nogen lande gælder andre minimumsværdier for iltindholdet. Undersøg dette i tvivlstilfælde).
- Brug kun med de masker, filtre, reservevedle og tilbehør, som er listet i referencebladet og med de anvendelser der specificeres i de tekniske specifikationer.
- Må kun anvendes af uddannet, kvalificeret personale.
- Forlad straks det forurenede område, hvis:
 - a) Enhver af udstyrets dele beskadiges.
 - b) Luftstrømmen til masken mindkes eller stopper.
 - c) Vejtrækningen bliver vanskelig.
 - d) Der opstår svimmelhed eller andet ubehag.
 - e) Forurening kan lugtes eller smages eller der opstår irritation.
- Dette udstyr må aldrig modificeres eller ændres. Brug kun originale 3M dele, når der skal skiftes dele.
- Brug ikke ren ilt eller ilberiget luft.
- Ønskes udstyret brugt i eksplosiv atmosfære, så kontakt 3M's tekniske service.
- Ved brug i temperaturer under +4°C skal fugtighedsgraden af indåndingsluften kontrolleres for at forhindre tilfrysning af udstyret.
- Sørg altid for, at:
 - Luftforsyningskilden er kendt,
 - Luftforsynings renhedsgrad er kendt,
 - Luftforsyningen er af indåndingskvalitet efter EN12021.
- Vær sikker på at luftforsyningen har kapacitet nok til alle brugere, der er koblet på den.
- Hvis der skal bruges pneumatisk værktøj via hjælpeporten så sørg for i det mindste at minimumflowet til masken opretholdes selvom værktøjet er på sit højeste luftforbrug.

Det krævede minimumstryk ved anvendelse af luftværktøj er 4,5 Bar. For yderligere information vedrørende kompatibilitet med luftværktøj, venligst kontakt 3M.

- **Under brug kan dette produkt frembringe forhøjede lyd niveauer. Høreværm skal stilles til rådighed hvis påkrævet.**

- Ved meget højt arbejdstempo kan trykket inde i masken blive negativt ved højt indåndings flow.
- Dette produkt må kun benyttes i arbejdsituationer, hvor der er lav risiko for beskadigelse af slangen til trykluftforsyningen, og hvor personen, som bærer udstyret, ikke bevæger sig for meget. Trykluftforsyningen skal være udstyret med en korrekt vurderet og justeret sikkerhedsventil til trykludning.
- Regulatoren er udstyret med en sikkerhedskobling. Vær opmærksom når luftslangen og trykluftslange afmonteres. Sørg altid for at der bruges sikkerhedskoblinger mod sikkerhedskoblinger. Luftslangen er markeret med med S-222 og koblingen på regulatoren er markeret 'S' for at indikere at der skal bruges en sikkerhedskobling.
- Disse enheder må ikke bruges til mobile trykluftsystemer.
- Hvis utætheder opdages mens systemet er i brug, så forlad forurenede område omgående og forsøg ikke at stoppe nogen utæthed med nogen del af kroppen.
- Fjern ikke pakningsringene, da det kan nedsætte systemets formåen.
- **⚠ Masken må ikke bruges, hvis man har skæg eller skægstubbe, som kan nedsætte maskens effektivitet, da der opstår utæthed mellem maske og ansigt.**
- Systemet må ikke anvendes med filtre monteret, hvis der er mulighed for utilsigtet nedsænkning i vand.
- Systemet skal kontrolleres og filtre erstattes hvis enheden eller filtrene udsættes for flammer.
- De anvendte materialer, der kan komme i kontakt med brugerens hud, er ikke kendte som allergifremkaldende.
- Dette produkt indeholder ikke komponenter fremstillet af latex .

MÆRKNING

Vedr. maske mærkning se venligst relevant brugsanvisning.

Regulator S-212 er bedømt efter EN14594 4B og EN14594 3B og markeret med en fremstillingsdato.

Trykluftslangen er bedømt efter EN14594. De er også bedømt efter følgende:

308-00-40P er mærket A - egnet til brug med klasse A enheder (EN14594).
308-00-72P er mærket 'varmebestandig' og 'antistatisk'.

KLARGØRING TIL BRUG

Check at udstyret er komplet, ubeskadiget og korrekt samlet. Enhver beskadiget eller defekt del skal udskiftes med originale 3M reservedele før brug.

Foretag kontrol af masken før ibrugtagning som beskrevet i relevant brugsanvisning.

Kontroller at pakningsringene er monteret før brug.

Kontroller at tilbehørsstikket er monteret og erstattet korrekt efter brug.

Samling

1. Monter bæltet med regulatoren som vist i Figur 1.
2. Tilslut slangen til regulatoren som vist i Figur 2.
3. Tilslut luftslangen til masken som vist i Figur 3.

BEMÆRK: Sørg for at 3M symbolet på "Y" stykket på luftslangen vender op for at sikre korrekt tilpasning af luftslangen.

4.Hvis systemet anvendes i LUFTFORSYNINGENS FUNKTION, må et par OVERSKUDSVENTILER MONTERES PÅ LUFTSLANGEN (Se Figur 4). HVIS SYSTEMET ANVENDES I DOBBELT FUNKTION må et par KORREKTE FILTRE PÅSÆTTES luftslangen (Figur 5).

5. Tilslut slangen til tryklufforsyning mellem den valgfri 3M Aircare – luftfiltreringsenhed og S-200+-regulatoren for at sikre, at trykket ved luftfiltrerenheden er justeret, som beskrevet under afsnittet Tekniske specifikationer.

6. Før brug justeres regulatoren til sit laveste og et luftflow tjekkes med hjælp af luftflow posen (Se Figur 6). Vær sikker på, at lave en god tætning med din hånd omkring åbningen i posen.

BRUGSANVISNING

PÅTAGNING AF UDSITYRET

1. Juster og spænd livremmen med regulatoren påsat komfortabelt rundt om hoften.
2. Juster og tag masken på som beskrevet i relevant brugsanvisning.
3. Sørg for at der opnås mindst minimum airflow ind i masken og juster luftflowet i regulatoren for maksimal komfort.

I BRUG

Hvis luftstrømmen stopper eller reduceres under brug, forlad da straks det forurenede område og find årsagen til problemet.

Pas på at luftslangen ikke vikles ind i eller rundt om andre genstande. Hvis dette skulle ske, forlad straks området og kontrollér at udstyret ikke er beskadiget.

Produktets levetid afhænger af hyppighed og betingelser under brug.

Ved brug hver dag anbefales det at kassere masken efter ca. 5 års brug, forudsat den er opbevaret og vedligeholdt som beskrevet nedenfor.

Visse ekstreme betingelser kan give foringelser i en kortere periode.

AFTAGNING AF MASKEN

Tag ikke masken af, filtrene af masken eller afbryd luftforsyningen, før du har forladt det forurenede område.

- 1.Fjern masken i overensstemmelse med relevant brugsanvisning.
2. Afbryd luftforsyningslangens fra regulatoren.
3. Tag bæltet af.

NB

Afbryd ikke luftslangen fra regulatoren mens der er tryk på systemet, da dette vil medføre udladning af trykluft.

Hvis udstyret er blevet brugt i et område, hvor det er blevet forurenet med skadelige stoffer, der kræver speciel rensning eller uskadeliggørelse, bør det henlægges i en passende beholder og forsegles, indtil det kan rengøres.

VEDLIGEHOLDELSE

Vedligeholdelse, service og reparation bør kun udføres af kvalificeret personale.

⚠ Brug af originale dele eller uautoriserede modifikationer kan medføre risiko for helbreds-skader, invaliditet eller livsfare, og kan ugyldiggøre enhver garanti.

Masken er designet til minimal vedligeholdelse. Hvis komponenter beskadiges bør de fjernes og udskiftes. Alle erstatningsdele skal monteres korrekt.

HVAD	HVORNÅR
Generel Kontrol	Før brug Månedligt, hvis det ikke bruges regelmæssigt

Rengøring	Efter brug
-----------	------------

En log over vedligeholdelse bør føres månedligt i henhold til sundheds-og sikkerhedsbestemmelser. Denne log bør gemmes i mindst 5 år.

Fejlfinding

Symptom	Mulig årsag	Afhjælpning
Intet luftflow	1. slukket 2. Tryklufforsyningslange blokeret eller sidder fast 3 .Enheden er defekt	1. Tænd for forsyning 2. Kontroller forsyningslange 3. Udskift enhed
Lavt luftflow (består ikke luftflow check)	1. Lavt eksternt LUFTforsyningstryk eller -flow 2. Aircare – luftfiltreringsenhed blokeret (hvis i brug) 3 .Enheden er defekt	1. Kontroller forsyningstryk og -flow 2. Kontroller Aircare-enhed 3. Udskift enhed

Odeur konstateret	1. Masken er dårligt påsat eller beskadiget. 2. Aircare – luftfiltreringsenhed kræver vedligeholdelse (hvis i brug) 3. Ekstern luftforsyning er forurenet	1. Påsæt igen eller udskift masken. 2. Kontroller Aircare-enhed 3. Kontroller kvaliteten af ekstern forsyning
-------------------	---	---

RENGØRING

Rengøring anbefales efter brug hver gang.

Rengør masken (eksk. filtre) i overensstemmelse med brugsanvisningen.

Brug en ren klud, fugtiggjort i en mild opløsning af vand og husholdningsåbe.

Sørg for at de indre komponenter er tørre før brug.

Sænk ikke regulatoren i vand.

Brug ikke trykluft til, at rense produktet.

Brug aldrig benzin, chlorerede affætningsmidler (som f. eks. trichlorethylen), organiske opløsningsmidler eller slibemidler til at rengøre enhedens dele. Ønskes udstyret desiniceret, så anvend særlige renseservietter som nævnt i indlæggssedlen (3M 105).

OPBEVARING OG TRANSPORT

Når udstyret ikke er i brug, bør det opbevares under rene, tørre forhold, og ikke i direkte sollys, i høje temperaturer, eller under forhold med dampe fra benzin eller andre opløsningsmidler.

Må ikke opbevares udenfor temperaturområdet -10°C til +50°C eller ved en luftfugtighed over 90%.

Når produktet opbevares efter forskrifterne, er den forventede holdbarhed på produktet 5 år fra fremstillingsdatoen.

Den originale emballage er egnet til transport af produktet i hele Den Europæiske Union.

TEKNISKE SPECIFIKATIONER

Andedrætsbeskyttelse

EN14594 Klasse 4A/4B når der kombineres med godkendt 3M™ helmaske.
EN14594 Klasse 3A/3B når der kombineres med godkendt 3M™ halvmaske.

Ansigtmasker og luftslange overholder det højere (B) krav til styrke i EN14594. De er godkendt til brug med en række trykluffslinger som opfylder både lavere og højere (A og B) krav til styrke. Se udstyrsmærkning for yderligere information.

Brugstemperatur

-0 til +40°C og <90 % fugtighed

Indgangstryk

Trykrområde: 3,0 - 7,0 bar

Maksimalt tryk: 10 bar

Luftstrømskarakteristik

Fabrikantens minimum design flow (MMDF) 120 l/min

Maksimum Flow (5-7 Bar): >310 l/min

Maksimum Flow (3-5 Bar): 200-310 l/min

Maksimal grænseværdi

Halvmaske i luftforsynings funktion: 50 X GV

Helmaske i luftforsynings funktion : 200 X GV

Ved frakobling vil maksimal brugs koncentration afhænge af de niveauer der er beskrevet i relevant filter instruktions blad (f.eks hvis A1 filtre er monteret i en halvmaske vil max. koncentrationen være 50 X GV i luftforsynings funktion, men kun 10 X GV hvis luften er frakoblet.)

Trykluftsslange

Standard krav i EN14594 'B'.

Maks længde (slanger):30 m

Maksimum sikkerheds arbejdstryk: 10 Bar

GODKENDELSER

Disse produkter opfylder de grundlæggende sikkerhedskrav i EU-direktivet 89/686/EØS og er CE- mærket i henhold hertil.

Certificering i henhold til artikel 10, EF-typeafprøvning og artikel 11, EF-kvalitetskontrol er udstedt af BSI, Kitemark Court, Davy Avenue, Knowlhill, Milton Keynes, MK5 8PP, Storbritannien (Bemyndiget organ nr. 0086).



Les disse instruksjonene og referanseheftet i sammenheng med aktuelle bruksanvisninger for 3M™ hel- og halvmasker eller filtre, hvor du vil finne informasjon om:

Godkjente kombinasjoner av 3M™ maskekropper og 3M™ filtre.

- Reservedeler
- Tilbehør

⚠ Det må vises særlig oppmerksomhet der advarsler forekommer.

UTPAKKING

3M™ S-200+ trykkluftregulator skal inneholde:

- a) Regulator (S-212)
- b) Pusteluftslange (S-222)
- c) Belte
- d) Overskuddsventiler
- e) Luftstrømsmåler (FCB-01)

SYSTEMBESKRIVELSE

3M™ trykkluftregulator S-200+ er utviklet for bruk sammen med godkjent 3M™ hel- og halvmaske (se referanseheftet).

Dette produktet oppfyller kravene i henhold til EN14594 (Åndedrettsbeskyttelse – trykkluftdrevet utstyr).

Den justerbare regulatoren sitter på et belte som festes rundt midjen, og er utstyrt med en inngang for trykkluft, utgang til hodesettet og en ekstra utgang for trykkluft som kan benyttes til trykkluftdrevet verktøy.

Trykkluftregulatoren er utviklet og godkjent for bruk som kombinert løsning (trykkluft og filtre sammen) eller kun trykkluft med 3M™ masker og filtre som vist i referanseheftet.

Kombinert løsning

- Når denne løsningen benyttes monteres filterene på pusteluftslangen.
- De påmonterte filterene vil gi beskyttelse når trykkluften er koblet fra eller når det ikke er mulig å koble til trykkluft (f.eks. inn og ut av forurensete områder).
- Det må velges filtre som beskytter mot aktuell forurensning.
- To like filtre må alltid benyttes.
- Den effektive levetiden til filtre vil variere avhengig av forurensning, konsentrasjon, arbeidsintensitet, eksponeringstid etc. Filtre skal skiftes ut når brukeren kan merke gjennomtrengning av forurensning i masken ved lukt eller smak. Rutiner for skifte av filter for forurensning oppdages er imidlertid sterkt å anbefale.
- Innen 1 måned skal filterene alltid byttes (par) selv om det ikke er oppdaget forurensning. Hvis det er tvil, bytt alltid filterene med et nytt par.
- Ytterligere instruksjoner og advarsler angående valg, bruk og bytte av filter finner du i bruksanvisningene til filtre og masker.
- Overflødig luft kan strømme ut av filterene, enten ved at regulatoren justeres for høy luftstrøm eller ved utånding.
- Mye fuktighet i trykkluften kan påvirke levetiden til filteret.
- **Kun filtre beregnet på halvmasker kan benyttes med 3M pusteluftslange som vist i referanseheftet.**

Trykkluftløsning

- 3M™ trykkluftregulator S-200+ sammen med 3M™ masker med bajonettfeste kan benyttes med trykkluft, ved å bruke en ekstern kilde som gir trykkluft med pusteluftkvalitet.
- Overskuddsluft kan slippe ut av overskuddsventilene hvis regulatoren er innstilt på å gi mye luft, eller ved utånding.

⚠ ADVARSEL

- **Riktig valg av utstyr og opplæring i bruk og vedlikehold av produktet er viktig for å beskytte brukeren mot forurensninger i luften. Hvis ikke instruksjonene i bruksanvisningen følges og/eller utstyret brukes feilaktig eller ikke brukes under hele tiden brukeren er utstøtt for forurensningen, kan dette påvirke brukerens helse, føre til livstruende sykdom eller varige skader.**
- Dersom du har noen som helst tvil om produktets bruksområder i din arbeidssituasjon, anbefales det at du tar kontakt med vemeleder, eller 3M.

Ta vare på alle instruksjoner for senere referanse.

Dette åndedrettsvernet må kun brukes som beskrevet i instruksjonen:

- du finner i dette heftet.
- som følger med andre komponenter i systemet.
- Ikke bruk dette utstyret ved konsentrasjoner av forurensninger utover det som er beskrevet i Tekniske Spesifikasjoner.

- Må ikke brukes hvis konsentrasjonene av forurensninger utgjør øyeblikkelig fare for liv og helse (IDLH), er kjente eller har dårlige varslingsegenskaper (f.eks. lukt eller smak).
- Må ikke brukes i områder som inneholder mindre enn 19,5% oksygen (3M definisjon).
- Skal kun brukes med masker, filtre, reservedeler og tilbehør som beskrevet i referanseheftet, og innenfor begrensningene gitt i Tekniske Spesifikasjoner.
- Må kun brukes av trent personell.
- Forlat det forurensete området umiddelbart hvis:
 - a) Hele eller deler av systemet blir skadet.
 - b) Luftstrømmen til masken reduseres eller stanser.
 - c) Du får pustevanskeligheter.
 - d) Du merker svimmelhet eller ubehag.
 - e) Du smaker eller lukter forurensningene, eller merker irritasjon.
- Produktet må aldri modifiseres eller endres, og du må kun bruke originale reservedeler eller tilleggsutstyr fra 3M.
- Bruk ikke oksygenrikket luft.
- For bruk i områder med fare for brann og/eller eksplosjon, kontakt 3M.
- Ved bruk i temperaturer under +4°C skal fuktinnholdet i pusteluften kontrolleres for å unngå at utstyret fryser.
- Forsikre deg alltid om at:
 - Lufttilførselsens kilde er kjent.
 - Lufttilførselsens renhetsgrad er kjent.
 - Lufttilførselsen har tilstrekkelig pusteluftkvalitet i henhold til EN12021.
- Forsikre deg om at trykkluftsystemet gir nok luft til hver enkelt bruker som er tilkopleet.
- Hvis du ønsker å benytte ekstrautgangen på regulatoren til en luftdrevet enhet, må du alltid passe på at laveste tillatte luftstrøm oppnåes i masken når enheten på ekstrautgangen bruker maksimalt med luft.

Laveste trykk ved bruk av luftdrevet verktøy er 4,5 Bar. For mer informasjon om luftverktøy og kompatibilitet - kontakt 3M.

• Når dette utstyret er i bruk kan det skape mye støy. Hørselvern bør være tilgjengelig på forespørsel.

- Ved svært høy arbeidsintensitet kan trykket inne i masken bli neagtiv ved kraftig innånding.
- Dette produktet skal bare brukes i arbeidssituasjoner der faren for skade på trykkluftslangen er lav, og der brukerens bevegelser er begrenset. Kilden til trykkluften må være utstyrt med en tilpasset trykkbegrensingsventil.
- Regulatoren er utstyrt med sikkerhetskoplinger (to-greps koplinger). Vær forsiktig når du kopler fra pusteluftslangen og trykkluftslangen. Pass alltid på at sikkerhetskoplinger brukes sammen. Pusteluftslangen er merket S-222 og koplingen på regulatoren er merket 'S' for å vise at det er en sikkerhetskopling.
- Disse enhetene skal ikke brukes sammen med mobile kompressorer.
- Hvis du oppdager luftlekkasje under bruk, forlat det forurensete området umiddelbart, og under ingen omstendigheter forsøk å stoppe lekkasjen med fingre etc.
- Ikke ta av foregslingsringene da dette kan påvirke hvordan systemet virker i negativ retning.

⚠ Skjegg eller annet hår som kommer mellom masken og ansiktet vil medføre dårlig tetning og gi redusert beskyttelse.

- Systemet må ikke benyttes med filter der det ved et uhell kan senkes ned i vann.
- Hvis systemet eller filterene blir eksponert av flammer må det kontrolleres og filterene må byttes.
- Materialer som kan komme i kontakt med brukerens hud er ikke kjent for å gi allergiske reaksjoner.
- Dette produktet inneholder ingen komponenter laget av naturlig gummlateks.

MERKING PÅ UTSTYRET

For merking på masken, se aktuell bruksanvisning.

S-212Regulator er merket i henhold til EN14594 4B og EN14594 3B, og med produksjonsdato.

Trykkluftslangene er merket i henhold til EN14594. De er også merket som følger:

308-00-40P er merket A - kan brukes med Klasse A utstyr (EN14594).

308-00-72P er merket 'Varmebestandig' og 'Anti-Statisk'.

KLARGJØRING FØR BRUK

Kontroller at utstyret er komplett, uten skade og riktig montert. Enhver skadet del må byttes med originale reservedeler fra 3M.

Foreta en kontroll av masken før bruk som beskrevet i aktuell bruksanvisning.

Pass på at forseglingsringene er på plass før bruk.

Pass på at pluggen til ekstrautgangen er på plass, også hvis ekstra utstyr har vært i bruk.

Montering

1. Sett regulatoren på belte som vist i fig. 1.

2. Sett pusteluftslangen på regulatoren som vist i fig. 2.

3. Sett pusteluftslangen på masken som vist i fig. 3.

MERK: Pass på at 3M symbolet på Y-slangen (pusteluftslangen) peker opp for riktig tilpasning av slangen.

4. Hvis systemet benyttes KUN MED TRYKKLUFT må et par OVERSKUDDSVENTILER settes på pusteluftslangen (se fig. 4). Hvis systemet benyttes som KOMBINERT LØSNING, må et par RIKTIG VALGTE FILTERE settes på pusteluftslangen (se fig. 5).

5. Koble trykkluftslangen mellom filterpanelet og S-200+ regulatoren.

Kontroller at trykket i filterpanelet reguleres som beskrevet i Tekniske Spesifikasjoner.

6. Før bruk, juster regulatoren slik at den gir laveste luftstrøm og foreta en luftstrømskontroll ved å bruke kontrollposen (se fig. 6). Pass på at det er god tetning med hånden rundt åpningen på posen.

BRUKSANVISNING

MONTERING

1. Juster og fest belte med regulatoren rundt midjen slik at det sitter komfortabelt.

2. Juster og tilpass masken som beskrevet i aktuell bruksanvisning.

3. Pass på at du oppnår minste tillatte luftstrøm i masken, og juster regulatoren for best mulig komfort.

BRUK

Hvis lufttilførselen stanser eller reduseres under bruk, forlat det forurensete området umiddelbart og undersøk årsaken.

Vær forsiktig slik at pusteluftslangen ikke setter seg fast i andre gjenstander. Hvis dette skjer, forlat området umiddelbart og kontroller at utstyret ikke er skadet.

Levetiden til produktet vil variere avhengig av hvor ofte det brukes og bruksforholdene.

Ved daglig bruk anbefales det at produktet erstattes etter ca. 5 år, forutsatt at produktet er lagret og vedlikeholdt som beskrevet under.

Ekstreme påvirkninger kan resultere i kortere levetid.

DEMONTERING

Ta ikke av deg masken, filterne eller slå av lufttilførselen før du har forlatt det forurensete området.

1. Ta av masken som beskrevet i relevant bruksanvisning.

2. Ta av trykkluftslangen fra regulatoren.

3. Ta av deg beltet.

MERK

Ikke kople pusteluftslangen fra regulatoren mens lufttrykket er på da dette vil utløse luft under trykk.

Hvis systemet har vært brukt i et område med spesielle forurensninger som krever dekontaminasjon, må det plasseres i egnet oppbevaring inntil systemet kan dekontamineres eller kastes.

VEDLIKEHOLD

Vedlikehold, service og reparasjoner må kun utføres av trenede personer.

⚠ Bruk av uoriginale deler eller uautorisert modifikasjon kan resultere i fare for liv og helse, og gjøre eventuelle garanti- eller forsikringskrav til 3M ugyldige.

Åndedrettsvemet er utviklet for minimalt vedlikehold. Hvis deler blir ødelagt må de kastes og erstattet med nye. Alle erstatningsdeler må monteres riktig.

HVA	NÅR
Generell inspeksjon	Før bruk Hvis ikke i daglig bruk, hver måned

Rengjøring	Etter bruk
------------	------------

En vedlikeholdsløp bør føres månedlig i henhold til HMS krav. Denne loggen bør arkiveres i 5 år.

FEILSØKING

Symptom	Mulig årsak	Tiltak
Ingen lufttilførsel	1. Ekstern lufttilførsel avstengt 2. Trykkluftslange blokkert eller i klem 3. Enhet defekt	1. Åpne lufttilførsel 2. Kontroller trykkluftslange 3. Skift ut enhet
Lav luftstrøm (feil ved kontroll av luftstrøm)	1. Lavt eksternt lufttrykk / lav ekstern lufttilførsel 2. Filterpanel blokkert (hvis brukt) 3. Enhet defekt	1. Kontroller lufttrykk og lufttilførsel 2. Kontroller filterpanel 3. Skift ut enhet
Lukt er oppdaget	1. Maske er dårlig tilpasset eller ødelagt 2. Filterpanel må vedlikeholdes (hvis brukt) 3. Ekstern lufttilførsel forurenset	1. Tilpass masken på nytt eller bytt masken 2. Kontroller filterpanel 3. Kontroller kvaliteten på den eksterne lufttilførselen

RENGJØRING

Rengjøring anbefales etter hver gangs bruk.

Rengjør masken (uten filter) som beskrevet i bruksanvisningen.

Bruk en ren, fuktig klut med mild såpe.

Pass på at insiden av delene er tørre før bruk.

Ikke senk regulatoren ned i vann.

Ikke bruk trykkluft for å rengjøre produktet.

Det må ikke brukes bensin, klorerte avfettingsvæsker (slik som trikloretylen), organiske løsemidler eller slipemidler for å gjøre rent utstyret.

For å desinfisere systemet, se referanseheftet.

OPPBEVARING OG TRANSPORT

Disse produktene skal lagres rent og tørt. Må ikke utsettes for direkte sollys, høy temperatur, eller damp fra bensin eller løsemidler.

Må ikke lagres utenfor temperaturområdet -10°C til +50°C, eller med luftfuktighet over 90%.

Når produktet er lagret som beskrevet, er forventet lagringstid 5 år fra produksjonsdato.

Vi anbefaler å bruke originalforpakning ved transport.

TEKNISKE SPESIFIKASJONER

Åndedrettsbeskyttelse

EN14594 Klasse 4A/4B kombinert med godkjent 3M™ helmaske.

EN14594 Klasse 3A/3B kombinert med godkjent 3M™ halvmaske.

Maskekroppene og pusteluftslangene møter de høyere styrkekravene (B) i EN14594. De er godkjent for bruk med en rekke trykkluftslanger som møter både de lavere og høyere styrkekravene (A og B). Se seksjonen for merking på utstyret for ytterligere informasjon.

Brukstemperatur

-0 til +40°C og <90 % luftfuktighet

Inngangstrykk:

Trykkområde: 3,0 - 7,0 bar

Maksimalt trykk: 10 bar

Luftstrømskarakteristikk

Produsentens minste tillatte luftmengde (MMDF) 120 l/minutt.

Maksimal luftgjennomstrømning: (5-7 Bar): >310 liter/min

Maksimal luftgjennomstrømning: (3-5 Bar): 200-310 liter/min

MAKSIMALE BRUKSBEGRENSINGER

Halvmaske med trykkluft: 50 x adm. norm.

Helmaske med trykkluft: 200 x adm. norm.

Maksimal brukskonsentrasjon uten trykkluft tilkoplest vil avhenge av nivåene som står i relevante instruksjoner for filtre (f.eks. når A1 filtre settes på en halvmaske vil maksimal brukskonsentrasjon være 50 x adm. norm med trykkluft, men kun 10 x adm. norm når trykkluften er koplet fra).

Trykkluftslange

Standard slange i henhold til EN14594 'B'.

Maksimal lengde på trykkluftslange: 30 meter.

Maksimalt sikkert arbeidstrykk: 10 Bar

GODKJENNINGER

Disse produktene oppfyller kravene i det europeiske direktivet 89/686/EEC (Personlig verneutstyr), og er CE-merket.

Sertifisering i henhold til artikkel 10, EF-typeprøving og artikkel 11, EC-kvalitetskontroll er utstedt av BSI, Kitemark Court, Davy Avenue, Knowlhill, Milton Keynes, MK5 8PP, UK (Akkreditert Sertifiseringsinstitutt nr. 0086).

FI

Lue nämä ohjeet yhdessä asianmukaisen 3M™-naamarin tai 3M™-suodattimen käyttöohjeiden ja tuotevikon kanssa. Ohjeissa annetaan mm. seuraavat tiedot:

Hyväksytyt yhdistelmät 3M™-naamareista ja 3M™-suodattimista

- Varaosat
- Lisävarusteet

△ Kiinnitä erityistä huomiota suojaimeen liittyviin varoituksiin.

PAKKAUKSEN SISÄLTÖ

3M™ paineilmäsääntimen S-200+ tulisi sisältää:

- a) Säädin (S-212)
- b) Hengitysimaletku (S-222)
- c) Vyö
- d) Yliuotoventtiili
- e) Ilmanvirtauksen testauslaite (FCB-01)

JÄRJESTELMÄN KUVAUS

3M™ paineilmäsäädin S-200+ on suunniteltu käytettäväksi hyväksytyyn 3M™ naamarin kanssa (ks. tuotevihko).

Tuote täyttää EN14594-standardin vaatimukset (hengityksensuojaimet – jatkuvan virtauksen paineilmaletkuaitteet).

Säädettävää paineen/virtauksen säädintä kannetaan vyötäisillä ja sen varusteena on tuloliitäntä sekä lisälähtöliitäntä ruiskumaalauslaitteita tai paineilmatyökaluja varten.

Paineilmäsäädin on suunniteltu ja hyväksytty käytettäväksi kaksoistilassa tai paineilmasyötöllä tuotevihkossa eritellyn 3M™ naamarien ja suodattimien kanssa.

Kaksoistila

- Tässä toimintatilassa hengityslentkuun kiinnitetään sopivat hiukkas- ja/tai kaasua- ja liuotinhöyrysuodattimet.
- Kiinnitetyt suodattimet tarjoavat suojauksen paineilmasyötön ollessa irti tai kun paineilman kytkeminen ei ole mahdollista (esim. epäpuhtaus sisältävälle alueelle meneminen tai sieltä poistuminen).
- Käyttäjän on valittava suodattimet, jotka pystyvät suojaamaan kyseistä epäpuhtautta vastaan.
- Samanlaisia suodattimia on aina käytettävä pareina.
- Suodattimien tehollinen käyttöikä riippuu epäpuhtauspitoisuudesta, työhädistä, altistusajasta jne. Suodattimet on vaihdettava, kun käyttäjä havaitsee epäpuhtauden läpipääsyn hajun tai maun perusteella. Suodattimien säännöllinen vaihtaminen ennen epäpuhtauden havaitsemista on kuitenkin erittäin suositeltavaa.
- Suodattimet on vaihdettava parina, vaikka epäpuhtautta ei havaittaisikaan, VIIIMEISTÄÄN 1 kuukauden kuluttua. Jos olet epävarma, vaihda aina suodattinpari uuteen.
- Lisätietoja ja varoituksia suodattimien valinnasta, käytöstä ja vaihtamisesta tässä toimintatilassa löydät suodattimien ja naamarin käyttöohjeista.
- Ylimääräinen ilma voi vuotaa ulos suodattimien kautta joko säätimen suunnila asetuksilla tai uloshengityksen aikana.
- Liika kosteus tuoloimassa voi lyhentää suodattimien ikää.
- **Vain puolinaamareihin suunniteltuja suodattimia voidaan käyttää 3M-hengityslentkukan kanssa tuotevihkon mukaisesti.**

Paineilmasyötöllä

- 3M™ paineilmäsääntintä S-200+ yhdessä bajonettiliittimillä varustettujen 3M™ naamarien kanssa voidaan käyttää paineilmasyötöllä, ulkoisesta hengityskelpoisen ilman lähteestä.
- Ylimääräinen ilma voi vuotaa ulos yliuotoventtiilien kautta säätimen suurilla asetuksilla tai uloshengityksen aikana.

△ VAROITUS

- Hengityksensuojaimen oikea valinta, käyttökoulutus, käyttö ja asianmukainen kunnossapito on välttämätöntä käyttäjän suojaamiseksi tehokkaasti tietyiltä ilmassa olevilta epäpuhtauksilta. Jos näiden tuotteiden käytössä ei noudateta kaikkia ohjeita ja/tai hengityksensuojainta ei käytetä täydellisenä ja oikein koko sen ajan, jonka käyttäjä altistuu epäpuhtaus sisältävälle ilmalle, seurauksena voi olla käyttäjän terveyden vaarantuminen, pahimmassa tapauksessa vakava sairastuminen tai pysyvä vammautuminen.
- Varmista aina, että tuote sopii aiotuun käyttötarkoitukseen ja noudata voimassa olevia suojaajien käyttöä koskevia määräyksiä sekä tämän käyttöohjeen ohjeita. Kysy tarvittaessa lisätietoja Suomen 3M Oy:n

työsuojelutuoteosastolta.

Säästä kaikki käyttöohjeet tulevaa käyttöä varten.

Käytä tätä hengityksensuojausjärjestelmää noudattaen kaikkia ohjeita, jotka

- sisältyvät tähän käyttöohjeeseen,
 - on toimitettu järjestelmän muiden osien kanssa
 - Ei saa käyttää, jos epäpuhtauspitoisuudet ovat teknisten eritellyjen arvoja korkeammalla.
 - Älä käytä hengityksensuojaimia suojaamaan tuntemattomilla ilmassa olevilla epäpuhtauksilla, jos epäpuhtauspitoisuuksia ei tunneta, tai ilma sisältää terveydelle välittömästi vaarallisia epäpuhtauksia (IDLH).
 - Älä käytä hengityksensuojaimia ympäristöissä, joiden happipitoisuus on alle 19,5 % (3M:n määritelmä). Yksittäiset maat voivat soveltaa omia happipitoisuuden raja-arvoja. Kysy tarvittaessa lisätietoja).
 - Käytä vain tuotevihkossa lueteltuja naamareita, suodattimia, varoasia ja tarvikkeita ja vain teknisisä tiedoissa mainittujen käyttöohjeiden mukaisissa olosuhteissa.
 - Hengityksensuojaimet on tarkoitettu ainoastaan niiden käyttöön koulutettujen henkilöiden käytettäväksi.
 - Poistu välittömästi epäpuhtaus sisältävältä alueelta, jos:
 - a) Järjestelmän jokin osa vahingoittuu käytön aikana.
 - b) Ilmanvirtaus naamariin vähenee tai lakkaa.
 - c) Hengityksesi vaikeutuu.
 - d) Tunnet huimausta, uupumusta yms.
 - e) Haistat tai maistat epäpuhtauksia tai ilmenee ärsytystä
 - Älä koskaan tee minkäänlaisia muutoksia tähän suojaimeen. Käytä vain alkuperäisiä 3M-varoasia.
 - Älä käytä pelkkää happea tai happirikasta ilmaa.
 - Jos aiot käyttää hengityksensuojainta räjähdysvaarallisessa ympäristössä, kysy ensin lisätietoja Suomen 3M Oy:stä.
 - Jos tuotetta käytetään alle +4°C: n lämpötilassa, hengitysilman kosteuspitoisuutta on valvottava, jotta laite ei jäädy.
 - Varmista aina, että
 - ilmansyöttölähde on tiedossa
 - ilmansyöttölähteen tiedetään olevan puhdas
 - syötettävä ilma on hengityskelpoista, EN12021.
 - Varmista, että ilmansyöttöjärjestelmän kapasiteetti riittää kaikille siihen liitettyille käyttäjille.
 - Jos aiot käyttää lisälähtöliitäntässä paineilmatyökaluja, varmista aina, että naamariin virtaa vähintään minimimäärä ilmaa silloin kun lisälaite toimii suurimmalla ilmankulutuksellaan.
- Paineilmatyökalujen kanssa käytettynä, minimi-ilmanpaine on 4,5bar. Lisätietoa paineilmatyökalujen yhteensopivuudesta, ota yhteys Suomen 3M Oy.
- **Käytettäessä laite voi tuottaa voimakasta melua korvaan. Käyttäjän tulisi huolehtia oikeanlaisten kuulonsuojainten käytöstä.**
 - Jos työtahti on kova, naamarin paine voi muuttua negatiiviseksi voimakkaan sisäänhengityksen seurauksena.
 - Tuotetta saa käyttää ainoastaan sellaisissa työolosuhteissa, joissa paineilman syöttöletkun vaurioitumisriski on matala ja käyttäjän liikkuminen rajoitettua. Paineilmansyöttö on varustettava asianmukaisesti lukitellulla ja säädetyllä paineventtiilillä.
 - Säädin on varustettu kaksoistoimisella turvalliittimellä. Ole varovainen irroittaessasi paineilmaletkua tai hengitysimaletkua. Varmista, että käyttämäsi kaksoisturvaliittimet ovat yhteensopivat. Hengitysimaletku on merkitty S-222 ja säätimen liitin on merkitty 'S' osoittain, että kaksoistoimisista turvalliittimistä käytetty.
 - Näitä laitteita ei saa käyttää siirrettävien paineilman syöttöjärjestelmien kanssa
 - Jos järjestelmän käytön aikana havaitaan ilmavuotoja, poistu epäpuhtaus sisältävältä alueelta välittömästi aläkä missään tapauksessa yritä tukkia vuotoa kehollasi.
 - Älä irrota tiivisterenkaita, sillä se voi heikentää järjestelmän toimintaa.
- △ Älä käytä hengityksensuojainta, mikäli sinulla on parta tai muuta kasvoalueen karvoitusta, joka saattaa heikentää suojaajien tiivyttyä ja siten suojaustehoa.**
- Järjestelmää ei saa käyttää suodattimet kiinnitettyinä, jos on olemassa veteen joutumisen vaara.
 - Järjestelmä on tarkastettava ja suodattimet vaihdettava, jos laite tai suodattimet ovat altistuneet liekeille.

- Suurimmalle osalle käyttäjiä ei tiedetä aiheutuneen allergisia reaktioita tuotteen ihon kanssa kosketuksiin joutuvien materiaalien käytöstä.
- Tämä tuote ei sisällä luonnonkumilateksista valmistettuja osia.

MERKINNÄT

Naamarin merkinnät löytyvät sen käyttöohjeesta. S-212säädin on merkitty EN14594 4B ja EN14594 3B mukaisesti ja siihen on merkitty valmistuspäivämäärä.

Paineilmaletkut on merkitty EN14594 mukaisesti. Ne ovat myös merkitty seuraavasti:

308-00-40Pon merkitty A-sopii käytettäväksi luokan A laitteiden kanssa (EN14594)

308-00-72Pon merkitty 'Kuumuutta Kestävä' sekä 'Antistaattinen'.

KÄYTÖN VALMISTELUT

Varmista, että laite on täydellinen, oikein koottu ja vahingoittumaton. Kaikki vahingoittuneet tai vialliset osat on vaihdettava alkuperäisiin 3M-varaosiin ennen käyttöä.

Suorita naamarin tarkastus ennen käyttöä käyttöohjeessa selostetulla tavalla.

Varmista ennen käyttöä, että tiivisterenkaat ovat paikallaan.

Varmista, että lisälaiteliitäntä kytketään ja tulpataan oikein käytön jälkeen.

Kokoaminen

1. Kiinnitä vyö säätimeen kuten kuvassa 1.
2. Kiinnitä hengitysletku säätimeen kuten kuvassa 2.
3. Kiinnitä hengitysletku naamarin kuten kuvassa 3.

Huomaa: Varmista, että 3M symboli hengitysilmaletkun 'Y'-osassa on ylöspäin. Näin varmistat, että hengitysilmaletku on asetettu oikein.

4. Jos järjestelmää käytetään PAINELMASYÖTÖLLÄ, hengitysletkuun ON KIINNITETTÄVÄ pari YLIVUOTOVENTTIILEJÄ (katso kuva 4). Jos järjestelmää käytetään KAKSOISTILASSA, hengitysletkuun ON KIINNITETTÄVÄ pari OIKEITA SUODATTIMIA (katso kuva 5).

5. Liitä paineilman syöttöletku valinnaisen 3M Aircare -ilmansuodatusyksikön ja S-200+-säätimen väliin ja varmista, että ilmansuodatusyksikön paine on säädetty Teknisissä tiedoissa kuvatulla tavalla.

6. Säädä säädin ennen käyttöä pienimmälle virtaukselle ja suorita ilmavirtauksen tarkastus testipussin avulla (katso kuva 6). Varmista, että kätesi tiivistää pussin aukon hyvin.

KÄYTTÖOHJEET

PUKEMINEN

1. Säädä ja kiinnitä vyö säätimeen mukavasti vyötäröllesi.
2. Säädä ja pue naamari sen käyttöohjeen mukaisesti.
3. Varmista, että naamarin tulee vähintään minimi-ilmavirtaus ja säädä säätimen ilmavirtaus mahdollisimman mukavalle tasolle.

KÄYTÖN AIKANA

Mikäli ilmavirtaus loppuu tai vähenee käytön aikana, poistu välittömästi epäpuhtauksia sisältävältä alueelta ja selvitä mikä tilanteen aiheutti.

Varmista, ettei hengitysletku kietoudu ulkonevien esineiden ympärille. Jos näin tapahtuu, poistu välittömästi epäpuhtauksia sisältävältä alueelta, tarkasta suojapäähine ja estä tilanteen toistuminen vastaisuudessa.

Suojaimen käyttöä vaihtelee käyttömäärästä ja -olosuhteista riippuen. Päivittäisessä käytössä on suositeltavaa, että suojain hävitetään noin 5 vuoden käytön jälkeen, jos suojainta säilytetään ja huolletaan seuraavien ohjeiden mukaisesti.

Ääriolosuhteet voivat aiheuttaa nopeamman ikääntymisen.

RIISUMINEN

Älä risu naamaria kasvoilta, irrota suodattimia tai sulje ilmansyöttöyksikköä ennen kuin olet poistunut epäpuhtaan ilman alueelta.

1. Risu naamari sen käyttöohjeen mukaisesti.
2. Irrota paineilmaletku säätimestä.
3. Avaa vyö.

HUOMAA

Älä irrota hengitysilmaletkua säätimestä kun järjestelmä on paineistettuna. Tällöin vapautuu paineistettua ilmaa.

Mikäli suojainta on käytetty olosuhteissa, missä se on altistunut epäpuhtauksille, jotka vaativat erityistä puhdistusta, sulje suojain tiiviisti sopivaan koteloon odottamaan puhdistusta.

HUOLTO

Suojaimia saavat huoltaa ja korjata vain näihin tehtäviin koulutetut henkilöt.

⚠ Vieraiden osien käyttö tai luvattomien muutosten tekeminen suojaimen saattaa aiheuttaa hengenvaaran ja johtaa lisäksi kaikkien takuiden raukeamiseen.

Tämä hengityksensuojain on suunniteltu mahdollisimman vähän huoltoa vaativaksi. Vaurioituneet osat on hävitettävä ja vaihdettava uusiin. Kaikki varaosat on asennettava oikein.

KOHDE	MILLOIN
Yleistarkastus	Ennen käyttöä Kuukausittain ajoittaisessa käytössä

Puhdistus	Käytön jälkeen
-----------	----------------

Kuukausittaisista tarkastuksista ja huoltotoimenpiteistä on pidettävä pöytäkirjaa työsuojelumääräysten täyttämiseksi. Pöytäkirjaa on säilytettävä vähintään viisi vuotta.

VIANETSINTÄ

Oire	Mahdollinen syy	Korjaus
Ei ilmansyöttöä	1. Ulkoinen ilmansyöttö kytketty pois päältä 2. Paineilman syöttöletku tukossa tai jumissa 3. Viallinen laite	1. Kytke ilmansyöttö päälle. 2. Tarkista syöttöletku. 3. Vaihda yksikkö uuteen.
Matala ilmavirtaus (virtauksen tarkastus ei OK)	1. Matala ulkoinen ilmansyötön paine tai virtaus 2. Aircare-ilmansuodatusyksikkö tukossa (jos käytössä) 3. Viallinen laite	1. Tarkista syöttöpaine ja virtaus. 2. Tarkista Aircare-yksikkö. 3. Vaihda yksikkö uuteen.
Hajua havaitaan	1. Naamari huonosti sovitettu tai vaurioitunut 2. Aircare-ilmansuodatusyksikkö kaipaava huoltoa (jos käytössä) 3. Ulkoisessa ilmansyötössä epäpuhtauksia	1. Sovita naamari uudelleen tai vaihda uuteen 2. Tarkista Aircare-yksikkö. 3. Tarkista ulkoinen ilmansyötön laatu.

PUHDISTUSOHJEET

Puhdistus on suositeltavaa jokaisen käyttökerran jälkeen.

Puhdista naamari (suodattimia lukuun ottamatta) naamarin käyttöohjeen mukaisesti.

Käytä mietoon puhdistusliuokseen kostutettua puhdasta liinaa ja nestemäistä saippuaa.

Varmista, että osien sisäpinnat ovat kuivat ennen käyttöä.

Älä upota säädinkokonaisuutta veteen.

Älä käytä paineilmaa suojaimen puhdistamiseen.

Älä käytä bensiiniä, kloorattuja rasvanpoistonestejä (kuten trikloorietyleeniä), orgaanisia liuottimia tai hankaavia puhdistusaineita suojaimen minkään osan puhdistukseen.

Desinfointiin voidaan käyttää tuote-esitteessä mainittuja suojainpyyhkeitä.

SÄILYTYS ja KULJETUS

Tuote on säilytettävä kuljetuspakkauksessaan kuivassa ja puhtaassa paikassa suojattuna suoralta auringonpaisteelta, lämmönlähteiltä sekä bensini- ja luotinhöyryiltä.

Sallittu lämpötila-alue varastoinnin aikana on -10°C ... +50°C ja ilmankosteus enintään 90%.

Kun varastointi suojaimen annettujen ohjeiden mukaisesti, suojaimen arvioitu varastointiaika on 5 vuotta valmistuspäiväyksestä.

Tuote voidaan kuljettaa alkuperäisessä pakkauksessaan kaikissa Euroopan unionin jäsenvaltioissa.

TEKNISET TIEDOT

Hengityksensuojaus

EN14594Luokka 4A/4B käytettäessä hyväksytyn 3M™ kokonaamarin kanssa.

EN14594Luokka 3A/3B käytettäessä hyväksytyn 3M™ puolinaamarin kanssa.

Kasvo-osat ja hengitysilmaletku vastaavat standardin EN14594 korkeampia lujuusvaatimuksia (B). Ne ovat hyväksyty yhdessä erilaisten paineilmaletkujen kanssa ja vastaavat sekä korkeampia, että alempia lujuusvaatimuksia (A ja B). Katso laitteiston merkinnät-osion lisätiedot.

Käyttöolosuhteet

-0 ... +40°C ja <90 % kosteus

Tulopaine

Painealue: 3,0 - 7,0 baaria

Maksimipaine: 10 bar

Lähtövirtaus

Valmistajan suunnittelema minimivirtaus (MMDF) 120 l/min

Maksimivirtaus (5-7 bar): >310 l/min

Maksimivirtaus (3-5 bar): 200-310 l/min

Maksimi käyttörajoitukset

Puolinaamari paineilmasyötöllä: 50 x haitalliseksi tunnettu pitoisuus.

Kokonaamari paineilmasyötöllä: 200 x haitalliseksi tunnettu pitoisuus.

Paineilmasyötöstä irrotettuna suurin sallittu käytönaikainen pitoisuus riippuu suodattimen tuotevirkossa määrittelyistä tasoista (esim. kun A1-suodattimet on kiinnitetty puolinaamariin, suurin sallittu käytönaikainen pitoisuus on 50 x HTP paineilmasyötöllä, mutta vain 10 x HTP ilmansyöttö irrotettuna).

Paineilman syöttöletku (CAST)

Standard duty EN14594 'B' mukaan.

Maksimipituus (CAST): 30 metriä

Suurin sallittu turvallinen työpaine: 10 bar

HYVÄKSYNNÄT

Nämä tuotteet täyttävät Euroopan yhteisön direktiivin 89/686/ETY (henkilösuojaindirektiivi) vaatimukset ja niissä on tämän osoituksena CE-merkki.

EY-tyyppitarkastuksen artiklan 10 mukaisen ja EY-laadunvalvonnan artiklan 11 mukaisen sertifiointin on antanut BSI, Kitemark Court, Davy Avenue, Knowlhill, Milton Keynes, MK5 8PP, UK (ilmoitettu laitos 0086).

PT

Por favor leia as Instruções de Utilização e o Folheto de Referência em conjunto com as instruções de utilização dos filtros 3M, onde encontrará informação:

Combinação aprovada da máscara 3M™ e Filtros 3M™

- Peças de reposição
- Acessórios

⚠ Deverá ser dada particular atenção às frases de Avisos (quando existam).

DESEMPACOTAMENTO

O equipamento 3M™ de Ar Assistido S-200+ deve conter:

- a) Montagem do Regulador (S-212)
- b) Tubo Respiratório (S-222)
- c) Cinto
- d) Válvulas de sobrefluxo
- e) Dispositivo de Verificação de Fluxo (FCB-01)

DESCRIÇÃO DO SISTEMA

O 3M™ Equipamento de Ar Assistido S-200+ está desenhado para ser usado em conjunto e com a aprovação 3M™ unidade facial (Ver folheto de referência).

Este produto cumpre os requisitos da norma EN14594 (Aparelhos de protecção respiratória – Aparelhos de protecção respiratória de ar comprimido de fluxo contínuo).

A unidade de reguladora do fluxo de ar coloca-se e ajusta-se na cintura e tem uma entrada auxiliar onde pode acoplar equipamento de pintura ou ferramentas pneumáticas.

O equipamento de ar assistido está desenhado e aprovado para utilização em modo combinado ou modo ar assistido com 3M™ peça facial e filtros mostrados no folheto de referência.

Modo combinado

- Neste modo, os filtros apropriados para partículas ou gases e vapores estão ajustados ao tubo de respiração.
- Os filtros em anexo vão providenciar protecção quando o equipamento de ar assistido está desconectado ou quando a ligação de ar assistido não é possível.
- O utilizador deve seleccionar filtros capazes de providenciar protecção contra o contaminante.
- Deve ser usado sempre um par de filtros iguais.
- A vida útil dos filtros depende do nível de contaminação, taxa de trabalho, tempo de exposição etc. Os filtros devem ser substituídos quando o utilizador puder detectar o contaminante pelo cheiro ou paladar. É altamente recomendável a substituição dos filtros antes de começar a detectar qualquer contaminante.
- Os filtros devem ser substituídos mesmo que o contaminante não seja detectado, dentro de 1 mês. Se surgir alguma dúvida deve sempre substituir os filtros por um novo par.
- Para mais informações e avisos no que concerne à selecção, utilização e substituição dos filtros podem ser encontradas nas instruções de utilização dos filtros e da peça facial.
- Pode acontecer excesso de fluxo de ar nos filtros, tanto em configurações mais altas como durante a exposição.
- O excesso de humidade no fornecimento de ar pode afectar negativamente a vida útil do filtro.
- **Apenas filtros desenhados para meias máscaras podem ser usados por tubos de respiração como mostra no folheto de referência.**

Modo Ar Assistido

- O equipamento 3M™ de Ar Assistido S-200+ em conjunto com 3M™ peça facial com conexão baioneta podem ser usados em modo ar assistido, usando uma fonte externa de ar comprimido respirável.
- Pode acontecer excesso de fluxo de ar nas válvulas, tanto em configurações mais altas como durante a exposição.

⚠ AVISO

- **Seleção, treino, utilização e manutenção adequada são essenciais para proteger o trabalhador. O não cumprimento de todas as instruções sobre a utilização destes produtos de protecção respiratória e/ou a não utilização do produto durante o tempo total de exposição pode afectar negativamente a saúde do utilizador, podendo causar doenças letais ou deficiência permanente.**

- Para uso apropriado e adequado, siga as regras locais, veja todas as informações fornecidas ou contacte um especialista em segurança e higiene no trabalho ou contacte o serviço técnico do departamento de Produtos de Protecção Pessoal da 3M (telefone 21 313 45 00).

Leia todas as instruções de utilização e guarde-as para referência futura.

Utilize este sistema de protecção respiratória de acordo com as instruções:

- presentes neste folheto,
 - que acompanhem outros componentes do sistema.
 - Não utilizar em concentrações acima do especificado nas especificações técnicas.
 - Não utilizar para protecção respiratória contra contaminantes atmosféricos desconhecidos ou quando a concentração de contaminantes for desconhecida ou imediatamente perigosa para a saúde ou vida.
 - Não utilizar em atmosferas com menos de 19,5% de oxigénio (definição da 3M. Cada país pode aplicar os seus próprios limites de deficiência de oxigénio. Informe-se se tiver dúvidas).
 - Utilize somente com os filtros/equipamentos de ar assistido e com acessórios/peças de reposição constantes no Manual de referência e dentro das condições de utilização dadas nas especificações técnicas.
 - Utilização apenas para pessoal qualificado e competente.
 - Abandonar de imediato a área contaminada se:
 - a) Qualquer parte do sistema for danificada.
 - b) O fluxo de ar para a máscara diminuir ou parar.
 - c) A respiração se tornar difícil.
 - d) Sentir torturas.
 - e) Cheirar ou saborear contaminantes ou ocorrer irritação.
 - Nunca modifique ou altere este produto. Substitua peças apenas com sobresselentes originais da 3M.
 - Não utilize oxigénio ou ar enriquecido com oxigénio.
 - Em caso de intenção de utilização em atmosferas explosivas, contacte o Serviço Técnico da 3M.
 - Quando utilizado a temperaturas inferiores a +4°C, o teor de humidade do ar de respiração deve ser controlado para evitar o congelamento do aparelho.
 - Certifique-se sempre de que:
 - a fonte do ar fornecido é conhecida;
 - a qualidade do ar fornecido é conhecida;
 - o ar fornecido é passível de ser respirado, segundo a EN12021.
 - Assegure-se que a capacidade do sistema de ar assistido é suficiente para todos os utilizadores ligados ao mesmo.
 - Se houver intenção de utilização de acessórios pneumáticos na entrada auxiliar, deve sempre assegurar-se que as condições de fluxo de ar para a peça facial são cumpridas quando o acessório está a consumir no seu fluxo máximo.
- A pressão mínima requerida quando se utiliza uma ferramenta de pneumática é 4,5 Bar. Para informações adicionais com respeito à compatibilidade com a ferramenta pneumática, contacte a 3M.
- **Quando em uso este produto é capaz de produzir um nível excessivo de ruído no ouvido. Deverá ser disponibilizada protecção auditiva quando necessário.**
 - Em níveis de trabalho muito elevado, a pressão dentro da máscara facial pode tornar-se negativa no pico do fluxo inspiratório.
 - Este produto deve ser utilizado apenas em situações de trabalho em que o risco de danos no tubo de fornecimento de ar comprimido é baixo e em que os movimentos do utilizador são limitados. O fornecimento de ar comprimido deve estar equipado com uma válvula de segurança, adequadamente classificada e ajustada.
 - O regulador está ajustado com ligações de segurança de dupla acção. Tome atenção quando desconectar o tubo respiratório e o tubo de fornecimento de ar comprimido. Assegure-se que as ligações de dupla acção são usadas em conjunto. O tubo respiratório está marcado com S-222 e a ligação no regulador está marcada com "S" para indicar que as ligações de segurança de dupla acção são usadas.
 - Estas unidades não podem ser utilizadas com sistemas portáteis de fornecimento de ar.
 - Se detectar quaisquer fugas de ar enquanto o sistema está em utilização, abandone a área contaminada imediatamente e em nenhuma circunstância tente parar a fuga de ar com qualquer parte do corpo.

- Não remova os anéis de vedação, porque isso poderá afectar a performance do equipamento.
- ⚠ **Não deve ser usado por pessoas com barba ou qualquer outro pêlo facial que possa reduzir o contacto entre a cara e o produto e como tal impedir uma boa vedação.**
- O sistema não deve ser utilizado com filtros pois existe a possibilidade de imersão accidental em água.
- O sistema deve ser verificado e os filtros substituídos caso venham a ser expostos a chamas.
- Os materiais que podem entrar em contacto com a pele dos utilizadores não causam reacções alérgicas na maioria dos indivíduos.
- Este produto não contém compenentes feitos em borracha de latex natural.

MARCAÇÃO

Para marcação de peça facial veja por favor as instruções de utilização. O Regulador S-212 está marcado de acordo com a EN14594 4B e EN14594 3B e com data de fabrico.

Os tubos de fornecimento de Ar Assistido estão marcados de acordo com a EN14594. Estão também marcados da seguinte forma:

308-00-40Pestá marcado como A - adequado para uso com equipamentos de Classe A (EN14594).

308-00-72P está marcado como "Resistente ao Calor" e "Anti-estático".

PREPARAÇÃO PARA USO

Verifique se o equipamento está completo, não danificado e correctamente embalado. Quaisquer partes danificadas ou defeituosas devem ser substituídas por partes sobreselentes originais da 3M antes da utilização. Verificar a peça facial antes da sua utilização de acordo com as instruções de utilização.

Certifique-se que o anel de vedação facial está em bom estado antes da utilização.

Assegure-se que o acessório está ajustado e é repostado correctamente após a utilização.

Montagem

1. Ajuste o cinto do regulador como mostra na figura 1.
2. Ajuste o tubo de respiração ao regulador como mostra na figura 2.
3. Ajuste o tudo de respiração à peça facial como mostra na figura 3.

NOTA: Assegure-se que o símbolo 3M na pela "Y" do tubo respiratório está voltada para cima para assegurar o alinhamento correcto do tubo respiratório.

4. Se o sistema for para ser utilizado em modo de fornecimento de ar, um par de válvulas de sobrefluxo deve ser ajustado ao tubo de respiração (Ver figura 4). Se o sistema a ser usado é Dual mode então um par de filtros deve ser ajustado ao tubo de respiração (Ver figura 5).
5. Ligue o tubo de fornecimento de ar comprimido entre a Unidade de Filtração/Regulador de Ar 3M Aircare opcional e o S-200+ Regulador, assegurando que a pressão da Unidade de Filtração/Regulador de Ar está ajustada conforme descrito na secção Especificações Técnicas.
6. Antes de usar, ajuste o regulador ao fluxo mais baixo e verifique o fluxo de ar usando o saco de verificação (Ver Figura 6). Assegure-se que existe uma boa vedação com a sua mão à volta da abertura do saco de verificação.

INSTRUÇÕES DE FUNCIONAMENTO

COLOCAR

1. Ajuste a fivela e o cinto com o regulador confortavelmente ajustado à volta da cintura.
2. Ajuste a peça facial de acordo com as instruções de utilização.
3. Assegure-se que o fluxo de ar chega à peça facial e ajuste o regulador para um maximo conforto.

UTILIZAÇÃO

Se durante a utilização o caudal de ar diminuir ou for interrompido, evacue a área contaminada de imediato e investigue a causa.

Tome precauções para não deixar o tubo de respiração enrolar-se à volta de objectos salientes. Se tal ocorrer, evacue a área contaminada e verifique se o aparelho não está danificado.

O tempo de vida do produto em utilização irá variar de acordo a frequência e condições de uso.

Em caso de uso diário, recomenda-se que o produto seja descartado após 5 anos utilização, desde que o mesmo seja armazenado e mantido conforme indicado abaixo.

Algumas condições extremas podem resultar em deterioração após um curto período.

Fim da utilização

Não remova a peça facial nem os filtros nem desligue o fornecimento de ar até ter saído da área contaminada.

1. Remova a peça facial, de acordo com as instruções de utilização.
2. Desligue o tubo do ar comprimido do regulador.
3. Desaperte o cinto da cintura.

NOTA

Não desconecte o tubo respiratório do regulador enquanto o sistema estiver pressurizado, uma vez que ainda irá libertar uma elevada quantidade de ar.

Se o equipamento foi utilizado numa área onde haja contaminação por substância que exige procedimentos de descontaminação, coloque o equipamento num recipiente adequado e selado até que possa ser descontaminado.

MANUTENÇÃO

Manutenção e reparação apenas deverão ser realizadas por pessoal devidamente qualificado.

⚠ **A utilização de peças não aprovadas ou modificações não autorizadas poderá resultar em perigo para a vida ou saúde, podendo invalidar de imediato, qualquer garantia.**

O respirador está desenhado para o mínimo de manutenção. Se algum dos componentes estão danificados devem ser eliminados e substituídos. Todas as peças de reposição devem ser correctamente instaladas.

O QUÊ	QUANDO
Inspeção Geral	Antes de utilizar Mensalmente se não for usado regularmente
Limpar	Após utilização

Um registo de manutenção deverá ser guardado na vistoria mensal, para estar de acordo com as Regulações de Segurança e Saúde. Este registo deverá ser mantido por um mínimo de 5 anos.

PESQUISA DE FALHAS

Sintoma	Causa possível	Solução
Sem fluxo de ar	1. ExternFornecimento de ar externo desligado 2. Tubo de fornecimento bloqueado ou preso 3. Unidade danificada	1. Ligar o fornecimento 2. Verifique o tubo de de ar comprimido fornecimento 3. Substitua a unidade
Fluxo de Ar Baixo	1. Pressão ou fluxo do fornecimento de ar externo baixo 2. Aircare – Unidade de Filtração/Regulador de Ar bloqueada (se utilizada) 3. Unidade danificada	1. Verifique a pressão e o fluxo de fornecimento 2. Verifique a unidade Aircare 3. Substitua a unidade
Deteção de Odor	1. Peça Facial mal ajustada ou danificada 2. Aircare – Unidade de Filtração/Regulador de Ar necessita de manutenção (se utilizada) 3. Fornecimento de ar externo contaminado	1. Reajuste ou reponha a peça facial 2. Verifique a unidade Aircare 3. Verifique a qualidade do fornecimento externo

INSTRUÇÕES DE LIMPEZA

A limpeza é recomendada após cada utilização.

Limpe a peça facial (excluindo os filtros) de acordo com as instruções de utilização da peça facial.

Utilize um pano limpo humedecido com uma solução de água morna e detergente líquido neutro.

Assegure-se que os interiores de componentes são secos antes da utilização.

Não emergir o conjunto regulador na água.

Não usar ar comprimido para limpar o produto.

Não use nenhum derivado do petróleo, fluidos de lavagem à base de cloro (tal como tricloroetileno), solventes orgânicos ou agentes de limpeza abrasivos para limpar qualquer parte do equipamento.

Para desinfectar, utilize toalhetes como detalhado no Folheto Informativo.

ARMAZENAMENTO E TRANSPORTE

Estes produtos deverão ser armazenados nas embalagens fornecidas em condições limpas e secas, não devendo ser expostas ao sol, a fontes de calor, derivados de petróleo e vapores de solventes.

Não armazenar fora dos limites de temperatura -10°C a +50°C ou com humidade acima dos 90%.

Quando armazenado correctamente, a vida útil expectável deste produto é de 5 anos a partir da data de fabrico.

A embalagem original é adequada para transportar o produto na União Europeia.

ESPECIFICAÇÃO TÉCNICA

Protecção Respiratória

EN14594 Classe 4A/4B quando combinado com uma peça facial completa3M™.

EN14594Classe 3A/3B quando combinado com uma meia máscara3M™.

A peça facial e tubo respiratório cumpre os mais altos requisitos de resistência (B) da EN14594. Estão aprovados para utilização com uma gama de tubos de fornecimento de ar comprimido que cumprem os requisitos de alta e baixa resistência (A e B). Por favor ver a secção de Marcação de Equipamento para mais informação.

Condições de Operação

-0 a +40°C e <90 % humidade

Pressão de Entrada

Intervalo da pressão: 3,0 - 7,0 bar

Pressão Máxima: 10 bar

Características do Caudal de Saída

Caudal mínimo indicado pelo fabricante 120 l/min

Fluxo Máximo (5-7 Bar): >310 l/min

Fluxo Máximo (3-5 Bar): 200-310 l/min

Limitação de Uso Máxima

Meia Máscara em modo de fornecimento de ar: 50 x TLV.

Máscara Panorâmica em modo de fornecimento de ar: 200 x TLV.

Quando desligada a concentração de utilização máxima vai depender dos níveis indicados no folheto de referência dos filtros (e.x. quando os filtros A1 estão colocados numa meia máscara, a concentração máxima seria 50 x TLV em modo de ar fornecido, mas apenas 10 X TLV com o ar desligado).

Tudo de Fornecimento de Ar Comprimido (CAST)

Tarefas standard de acordo com a EN14594 "B".

Máximo comprimento (CAST): 30 metros

Máxima Pressão de Segurança: 10 Bar

APROVAÇÕES

Estes produtos cumprem os requisitos da Directiva 89/686/CEE (Directiva de Equipamento de Protecção Pessoal) da Comunidade Europeia, possuindo marcação CE.

Certificação em conformidade com o artigo 10.º, Exame "CE" de Tipo, e do artigo 11.º, Controlo de Qualidade "CE", emitida por BSI, Kitemark Court, Davy Avenue, Knowlhill, Milton Keynes, MK5 8PP, UK (Notified body number 0086).



Διαβάστε αυτές τις Οδηγίες Χρήσεως και τα Φυλλάδια Πληροφοριών σε συνδυασμό με τις κατάλληλες Οδηγίες Χρήσεως των Μασκών 3M™ ή Φίλτρων 3M™, όπου θα βρείτε πληροφορίες για :

Εγκεκριμένοι συνδυασμοί Μασκών 3M™ και Φίλτρων 3M™

- Ανταλλακτικά
- Ανταλλακτικά

Διαίτερη προσοχή πρέπει να δοθεί σε δηλώσεις προειδοποίησης, όταν επιστημονούνται

ΑΠΟΣΥΣΚΕΥΑΣΙΑ

Το 3M™ Σύστημα Παροχής Αέρα Απο Τρίτη Πηγή S-200+ θα πρέπει να περιλαμβάνει:

- a) Ρυθμιστής (S-212)
- b) Σωλήνες Αναπνοής (S-222)
- c) Ζώνη
- d) Βαλβίδες Υπερχείλισης Αέρα
- e) Συσσκευή Ροής Ελέγχου (FCB-01)

ΠΕΡΙΓΡΑΦΗ ΣΥΣΤΗΜΑΤΟΣ

Το 3M™ Σύστημα Παροχής Αέρα Απο Τρίτη Πηγή S-200+ είναι σχεδιασμένο για χρήση με εγκεκριμένες 3M™ Μάσκες Μισού & Ολοκλήρου Προσώπου (Δείτε φυλλάδιο οδηγιών).

Το προϊόν αυτό πληροί τις απαιτήσεις του προτύπου EN14594 (Συσκευές προστασίας του αναπνευστικού συστήματος – Αναπνευστική συσκευή πεπιεσμένου αέρα συνεχούς ροής).

Η ρυθμιζόμενη μονάδα ελέγχου ροής είναι ζώνη μέσης και είναι εφοδιασμένη με ένα στόμιο εισόδου και μια εξωτερική θύρα βοηθητικής πρίζας ικανή να δέχεται εξοπλισμό για ψεκασμούς ή εργαλεία με πεπιεσμένο αέρα.

Το Σύστημα Παροχής Αέρα Απο Τρίτη Πηγή είναι σχεδιασμένο και εγκεκριμένο για χρήση Διπλής Λειτουργίας ή Λειτουργία με Παροχή Αέρα με 3M™ Μάσκες Ολοκλήρου ή Μισού Προσώπου και Φίλτρα, όπως δείχνει και το Τεχνικό Φυλλάδιο.

Διπλή Λειτουργία

- Σε αυτή τη λειτουργία, τα φίλτρα σωματιδίων και/ή αερίων και αιμών είναι συνδεδεμένα με το αναπνευστικό σωλήνα.
- Τα συνδεδεμένα φίλτρα θα προσφέρουν προστασία όταν το σύστημα πεπιεσμένου αέρα αποσυνδεθεί ή όταν δεν είναι δυνατή η σύνδεση σε παροχή αέρα (π.χ. εισόδος ή έξοδος από μολυσμένες περιοχές).
- Ο χρήστης θα πρέπει να διαλέξει φίλτρα που είναι κατάλληλα για προστασία έναντι μολύνσεων.
- Ξευγάρι ιδίων φίλτρων θα πρέπει να χρησιμοποιούνται όλες τις φορές
- Η διάρκεια ζωής του ζευγαριού των φίλτρων ποικίλλει ανάλογα με το επίπεδο των προσμειξών, τον ρυθμό εργασίας, τον χρόνο έκθεσης κ.λπ. Τα φίλτρα πρέπει να αντικαθίστανται όταν ο χρήστης μπορεί να ανιχνεύσει τις προσμειξές από την γεύση ή την οσμή. Συνιστάται τακτική αντικατάσταση των φίλτρων πριν την ανίχνευση κάθε προσμειξών.
- Τα φίλτρα θα πρέπει να αντικατασταθούν ως ζευγάρι, ακόμη και εάν εντοπιστεί κάποια πρόσμειξη, ΕΝΤΟΣ 1 μηνός. Σε περίπτωση αμφιβολίας, θα πρέπει πάντα να αντικαταστήσετε τα φίλτρα με ένα νέο ζεύγος.
- Περαιτέρω οδηγίες και προειδοποιήσεις σχετικά με την επιλογή, τη χρήση και την αντικατάσταση των φίλτρων σε αυτή την λειτουργία θα βρείτε στις οδηγίες χρήσεως των Φίλτρων και των Μασκών.
- Ο αέρας που περισσεύει μπορεί να εβλθεί από τα φίλτρα, είτε σε υψηλότερες ρυθμίσεις ή κατά τη διάρκεια της εκπομπής.
- Νερό στην παροχή αέρα ενδέχεται να επηρεάσει δυσμενώς τη διάρκεια ζωής του φίλτρου.
- Μόνο τα φίλτρα που έχουν σχεδιαστεί για Μάσκες Μισού Προσώπου μπορούν να χρησιμοποιηθούν με τον Σωλήνα Παροχής Αέρα 3M όπως φαίνεται στο φυλλάδιο οδηγιών.

Λειτουργία σε Παροχή Αέρα

- Το 3M™ Σύστημα Παροχής Αέρα απο Τρίτη Πηγή S-200+ μαζί με τις 3M™ Μάσκες με σύνδεση μπαγιονέτ μπορούν να χρησιμοποιηθούν σε λειτουργία παροχής αέρα, χρησιμοποιώντας εξωτερική πηγή για τροφοδότηση πεπιεσμένου αέρα.
- Ο αέρας που περισσεύει μπορεί να εβλθεί από τα φίλτρα, είτε σε υψηλότερες ρυθμίσεις ή κατά τη διάρκεια της εκπομπής.

ΠΡΟΕΙΔΟΠΟΙΗΣΗ

- Η σωστή επιλογή, εκπαίδευση, χρήση και κατάλληλη συντήρηση

είναι ουσιαστικές προκειμένου το προϊόν να βοηθήσει στην προστασία εκείνου που το φορά από ορισμένα αερολύματα. Η αποτυχία να ακολουθηθούν όλες οι οδηγίες αυτών των προστατευτικών αναπνευστικών συσκευών και / ή αποτυχία να φορεθεί σωστά το προϊόν κατά τη διάρκεια όλων των περιόδων εκθέσεως, μπορεί να επηρεάσει την υγεία εκείνου που το φοράει, να οδηγήσει σε σοβαρή ή απειλητική για τη ζωή ασθένεια ή μόνιμη ανικανότητα.

• Εάν έχετε οποιοδήποτε αμφιβολίες για την καταλληλότητα του προϊόντος για την εργασία που κάνετε, θα πρέπει να συμβουλευτείτε έναν ιατρό εργασίας ή καλέστε το τμήμα της 3M Hellas.

Δείτε όλες τις οδηγίες χρήσης και φυλάξτε τις για μελλοντική αναφορά.

Χρησιμοποιήστε την συσκευή σύμφωνα με τις οδηγίες:

- - που περιέχονται σε αυτό το φυλλάδιο,
 - - που συνοδεύουν άλλα εξαρτήματα του συστήματος
 - Μη χρησιμοποιείτε σε συγκεκριμένες ρυτιών πάνω από τα όρια που αναφέρονται στο Τεχνικό Φυλλάδιο.
 - Μην το χρησιμοποιείτε για προστασία έναντι αγνώστων ατμοσφαιρικών ρύπων ή όταν οι συγκεντρώσεις των ρύπων είναι αγνώστες ή άμεσα επικίνδυνες για την Ζωή και την Υγεία (IDLH).
 - Μην το χρησιμοποιείτε σε περιβάλλον με περικτικότητα οξυγόνου λιγότερη από 19,5%. (Ορισμός της 3M. Η τιμή της περικτικότητας διαφέρει από χώρα σε χώρα. Παρακαλούμε ρωτήστε εάν υπάρχουν οποιοσδήποτε αμφιβολίες).
 - Μόνο για χρήση με Μάσκες, Φίλτρα, Ανταλλακτικά και Αξεσουάρ που καταγράφονται στο Φυλλάδιο Οδηγιών και βάσει των συνθηκών χρήσης που δίνονται στο Τεχνικό Φυλλάδιο.
 - Για χρήση ΜΟΝΟ από κατάλληλα εκπαιδευμένο προσωπικό
 - Απομακρυνθείτε από τον μολυσμένο χώρο αμέσως εάν:
 - a) Κάποιο μέρος του συστήματος υποστεί βλάβη.
 - b) Η παροχή του αέρα στη μάσκα πέσει ή σταματήσει.
 - c) Δυσκολεύει η αναπνοή σας.
 - d) Εάν νιώσετε ζαλάδα ή δυσφορία.
 - e) Μυρίζετε ή γεύεστε τους ρύπους ή προκληθεί κάποιος ερεθισμός.
 - Ποτέ μην επιχειρήσετε να μετατρέψετε το προϊόν, χρησιμοποιήστε μόνο γνήσια ανταλλακτικά 3M.
 - Μην χρησιμοποιήσετε οξυγόνο ή αέρα εμπλουτισμένο με οξυγόνο.
 - Σε περίπτωση παρατεταμένης έκθεσης σε εκρηκτικές ατμοσφαιρικές επικονωήστε με το τεχνικό τμήμα της 3M.
 - Όταν χρησιμοποιείται σε θερμοκρασίες χαμηλότερες από +4°C, η περικτικότητα του εισπνεόμενου αέρα σε υγρασία θα πρέπει να ελέγχεται, για να αποφευχθεί η ψύξη της συσκευής.
 - Να διασφαλίσετε πάντοτε ότι:
 - η πηγή παροχής αέρα είναι γνωστή,
 - η καθαρότητα του αέρα παροχής είναι γνωστή,
 - ο παρεχόμενος αέρας είναι εισπνεόμενης ποιότητας, που διοχετεύεται στο EN12021.
 - Εξασφαλίστε την χωρητικότητα του συστήματος παροχής αέρα ότι είναι επαρκής για κάθε χρήση που είναι συνδεδεμένος με αυτό.
 - Σε περιπτώσεις όπου ο πεπιεσμένος αέρας οδηγείται μέσω της βοηθητικής θύρας, εξασφαλίστε πάντα ότι τουλάχιστον οι όροι της ελάχιστης ροής πληρούνται όταν η συσκευή καταναλώνει την μέγιστη ροή αέρα.
- Η ελάχιστη πίεση που απαιτείται κατά τη χρήση ενός εργαλείου αέρα είναι 4,5 Bar. Για περισσότερες πληροφορίες σχετικά με τη συμβατότητα του εργαλείου, επικοινωνήστε με την 3M.
- **Κατά τη χρήση αυτού του προϊόντος είναι δυνατόν να παράγονται υπερβολικά επίπεδα θερμότητας στο αυτό. Μέσα προστασίας της ακοής πρέπει να διατίθενται, όπως απαιτείται.**
 - Σε υψηλούς ρυθμούς εργασίας, η πίεση μέσα στη Μάσκα μπορεί να γίνει αρνητική σε υψηλή ροή εισπνοής.
 - Αυτό το προϊόν θα πρέπει να χρησιμοποιείται αποκλειστικά σε καταστάσεις εργασίας όπου ο κίνδυνος πρόκλησης βλάβης στο σωλήνα παροχής πεπιεσμένου αέρα είναι χαμηλός και όπου οι κινήσεις του χρήστη είναι περιορισμένες. Η παροχή πεπιεσμένου αέρα θα πρέπει να διαθέτει μια κατάλληλου μεγέθους και προσαρμοσμένη βαλβίδα εκτόνωσης πίεσης ασφαλείας.
 - Ο ρυθμιστής είναι εφοδιασμένος με ζεύξεις ασφαλείας με διπλή δράση. Προσέξτε κατά την αποσύνδεση του σωλήνα αναπνοής και του Σωλήνα Παροχής Πεπιεσμένου Αέρα. Πάντα να εξασφαλίσετε ότι ο συνδυασμοί διπλής δράσης χρησιμοποιούνται μαζί. Ο σωλήνας αναπνοής φέρει σήμανση S-222 και η σύζευξη του ρυθμιστή φέρει σήμανση "S" για να δείξει ότι τα εξαρτήματα ασφαλείας διπλής

δράσης χρησιμοποιούνται.

- Οι μονάδες αυτές δεν πρέπει να χρησιμοποιούνται με κινητά συστήματα τροφοδότησης πεπιεσμένου αέρα.
- Αν ανιχνευθούν τυχόν διαρροές αέρα ενώ το σύστημα βρίσκεται σε χρήση, αφήστε τη μολυσμένη ζώνη αμέσως και υπό καμία περίπτωση μην προσπαθήσετε να σταματήσετε τη διαρροή με οποιοδήποτε μέτρο του σώματός σας.
- Μην αφαιρέσετε τους δακτύλιους σφράγισης όπως αυτό θα μπορούσε να επηρεάσει αρνητικά τις επιδόσεις του συστήματος.

Δ Μην χρησιμοποιείτε τη μάσκα με γένα ή άλλη τριχοφιλία του προσώπου που θα μπορούσε να εμποδίσει τη σωστή εφαρμογή της μάσκας στο πρόσωπο.

- Το σύστημα δεν θα πρέπει να χρησιμοποιείται με φίλτρα που επισυνάπτονται, γιατί υπάρχει η δυνατότητα διείσδυσης νερού.
- Το σύστημα θα πρέπει να ελέγχεται και τα φίλτρα θα πρέπει να αντικαθίστανται όταν η μονάδα ή τα φίλτρα εκτίθενται σε φλόγες.
- Υλικά κατασκευής τα οποία μπορεί να έρθουν σε επαφή με το δέρμα του χρήστη δεν προκαλούν αλλεργικές επιδράσεις στην πλειοψηφία των χρηστών.
- Αυτό το προϊόν περιέχει στοιχεία από φυσικό καουτσούκ λατέξ.

ΣΗΜΑΝΣΗ

Για σήμανση της Μάσκας, παρακαλώ ανατρέξτε στο αντίστοιχο φυλλάδιο οδηγιών.

To S-212 φέρει σήμανση EN14594 4B και EN14594 3B και με ημερομηνία κατασκευής.

Οι Σωλήνες Παροχής Πεπιεσμένου Αέρα φέρουν σήμανση EN14594.

Φέρουν επίσης τις κάτωθι σημάνσεις:

308-00-40P φέρει σήμανση A - κατάλληλο για χρήση με συσκευές Κλάσης A (EN14594).

308-00-72P φέρει σήμανση "Αντίσταση στη Θερμότητα" και "Αντιστατικό".

ΠΡΟΕΤΟΙΜΑΣΙΑ ΓΙΑ ΧΡΗΣΗ

Ελέγξτε ότι το σύστημα είναι ολοκληρωμένο, χωρίς ζημιές και σωστά συναρμολογημένο. Οποιαδήποτε μέρη έχουν υποστεί βλάβη πρέπει να αντικατασταθούν με γνήσια ανταλλακτικά 3M πριν τη χρήση.

Προβείτε σε προ-ελέγχους στις μάσκες όπως περιγράφεται στις οδηγίες χρήσεως.

Βεβαιωθείτε ότι οι δακτύλιοι σφράγισης είναι στη θέση τους, πριν τη χρήση.

Βεβαιωθείτε ότι το βοηθητικό καλώδιο είναι τοποθετημένο σωστά και έχει αντικατασταθεί σωστά μετά τη χρήση

Συναρμολόγηση

1. Τοποθετήστε την ζώνη στον ρυθμιστή όπως δείχνει η Εικόνα 1
2. Τοποθετήστε τον σωλήνα παροχής αέρα στο ρυθμιστή όπως δείχνει η Εικόνα 2.
3. Εφαρμόστε τον σωλήνα παροχής αέρα στη μάσκα όπως δείχνει η Εικόνα 3.

ΣΗΜΕΙΩΣΗ: Βεβαιωθείτε ότι το σήμα της 3M στο κομμάτι «Υ» του σωλήνα αναπνοής είναι προς τα πάνω για να εξασφαλιστεί σωστή ευθυγράμμιση.

4. Εάν το σύστημα πρόκειται να χρησιμοποιηθεί σε ΛΕΙΤΟΥΡΓΙΑ ΜΕ ΠΑΡΟΧΗ ΑΕΡΑ, τότε ένα ζεύγος από ΒΑΛΒΙΔΕΣ ΥΠΕΡΧΕΙΛΗΣΗΣ ΑΕΡΑ ΘΑ ΠΡΕΠΕΙ ΝΑ ΤΟΠΟΥΕΤΗΘΟΥΝ στον σωλήνα παροχής αέρα (βλέπε σχήμα 4). Αν το σύστημα είναι να χρησιμοποιηθεί σε ΛΕΙΤΟΥΡΓΙΑ ΔΙΠΛΗΣ ΧΡΗΣΗΣ τότε ένα ζευγάρι ΑΠΟ ΣΩΣΤΑ ΦΙΛΤΡΑ ΘΑ ΠΡΕΠΕΙ ΝΑ ΤΟΠΟΘΕΤΗΘΟΥΝ στο σωλήνα παροχής αέρα (βλέπε σχήμα 5).

5. Συνδέστε το σωλήνα παροχής πεπιεσμένου αέρα μεταξύ της προαιρετικής μονάδας 3M Φροντίδας αέρα - Φιλτραρίσματος αέρα και του Ρυθμιστή S-200+, διασφαλίζοντας τη σωστή ρύθμιση της πίεσης στη Μονάδα Φιλτραρίσματος Αέρα, όπως περιγράφεται στην ενότητα των Τεχνικών Προδιαγραφών.

6. Πριν από τη χρήση, ρυθμίστε τον ρυθμιστή στην χαμηλότερη ρύθμιση ροής και κάνετε τον έλεγχο ροής του αέρα χρησιμοποιώντας το σάκο ελέγχου ροής του αέρα (βλέπε σχήμα 6). Εξασφαλίστε ότι μια καλή σφραγίδα σχηματίζεται τοποθετώντας το χέρι σας γύρω από το άνοιγμα στο σάκκο.

ΟΔΗΓΙΕΣ ΧΡΗΣΗΣ

ΕΦΑΡΜΟΓΗ

1. Ρυθμίστε και βάλτε τη ζώνη μέσης με το ρυθμιστή, άνετα γύρω από τη μέση σας.
2. Ρυθμίστε και εφαρμόστε τη μάσκα όπως φαίνεται στο φυλλάδιο οδηγιών.
3. Εξασφαλίστε ότι τουλάχιστον η ελάχιστη ροή αέρος στη μάσκα έχει επιτευχθεί και ρυθμίστε την ροή του αέρα από τον ρυθμιστή για μέγιστη άνεση.

ΧΡΗΣΗ

Εάν κατά τη χρήση η συσκευή φιλτραρίσματος σταματήσει ή μειωθεί η παροχή του αέρα, εκκενώστε το χώρο αμέσως και ελέγξτε τη συσκευή. Προσέξτε ώστε ο σωλήνας παροχής αέρα να μην μπλεχτεί σε προεξέχοντα αντικείμενα. Εάν συμβεί κάτι τέτοιο, εκκενώστε την μολυσμένη περιοχή και εξéγξτε εάν έχει υποστεί ζημία.

Η «κατά τη χρήση ζωή» του προϊόντος θα κυμαίνεται ανάλογα με τη συχνότητα και τους όρους χρήσης.

Εάν χρησιμοποιείται καθημερινά, συνιστάται το προϊόν να απορρίπτεται μετά από περίπου 5 έτη υπηρεσίας, υπό τον όρο ότι το προϊόν φυλάσσεται και συντηρείται, όπως αναφέρεται παρακάτω.

Ορισμένες ακραίες συνθήκες μπορεί να οδηγήσει σε επιδείνωση σε συντομότερο χρονικό διάστημα.

ΒΓΑΖΟΝΤΑΣ ΤΟ ΚΑΛΥΜΜΑ

Μην αφαιρέσετε τη μάσκα, τα φίλτρα ή μην κλείσετε τη μονάδα παροχής αέρα πριν βγείτε από την μολυσμένη περιοχή.

1. Αφαιρέστε τη μάσκα, σύμφωνα με τις οδηγίες χρήσεως.
2. Αποσυνδέστε το σωλήνα πεπιεσμένου αέρα από τον ρυθμιστή.
3. Βγάλτε τη ζώνη.

ΣΗΜΕΙΩΣΗ:

Μην αποσυνδέετε το σωλήνα αναπνοής από το ρυθμιστή, ενώ το σύστημα βρίσκεται υπό πίεση, καθώς αυτό θα οδηγήσει στην απελευθέρωση του αέρα υπό υψηλή πίεση.

Εάν η συσκευή έχει χρησιμοποιηθεί σε τέτοιο χώρο ώστε μετά τη χρήση να χρειάζεται ειδική διαδικασία απολύμανσης, θα πρέπει να σφραγιστεί και να τοποθετηθεί σε ειδικό κουτί για απολύμανση.

ΣΥΝΤΗΡΗΣΗ

Η συντήρηση και επισκευή πρέπει να γίνεται από ειδικά εκπαιδευμένο προσωπικό

Δ Χρήση μη εγκεκριμένων ανταλλακτικών ή μη εξουσιοδοτημένη μετατροπή μπορεί να προκαλέσει άμεσο κίνδυνο για την ζωή και την υγεία και μπορεί να καταστήσει την εγγύηση άκυρη.

Η Μάσκα αυτή είναι σχεδιασμένη για ελάχιστη συντήρηση. Εάν κάποια από τα υλικά της είναι κατεστραμένα θα πρέπει να πεταχθεί και αντικατασταθεί. Όλα τα ανταλλακτικά της θα πρέπει να τοποθετηθούν σωστά.

ΤΙ	ΠΟΤΕ
Γενική Επθεώρηση	Πριν τη χρήση Μηνιαίως εάν δεν χρησιμοποιείται καθημερινά
Καθαρισμός	Μετά τη χρήση

Αρχείο συντήρησης θα πρέπει να κρατείται σε μηνιαία βάση σύμφωνα με τις Οδηγίες Υγιεινής και Ασφάλειας. Αυτό το αρχείο θα πρέπει να φυλάσσεται τουλάχιστον 5 χρόνια.

ΕΝΤΟΠΙΣΜΟΣ ΛΑΘΟΥΣ

Σύμπτωμα	Ενδεχόμενη αιτία	Αποκατάσταση
Χωρίς ροή αέρος	1. Εξωτερική παροχή αέρα απενεργοποιημένη 2. Ο σωλήνας παροχής πεπιεσμένου αέρα έχει εμπλακεί ή πιανιδευτεί 3. Μονάδα ελαττωματική	1. Ενεργοποιήστε την παροχή 2. Ελέγξτε το σωλήνα παροχής 3. Αντικαταστήστε τη μονάδα
Χαμηλή ροή αέρος (Αποτυχημένος έλεγχος ροής)	1. Χαμηλή πίεση ή ροή εξωτερικής παροχής αέρα 2. Φροντίδα αέρα – Μπλοκαρισμένη μονάδα φιλτραρίσματος αέρα (εάν χρησιμοποιείται) 3. Μονάδα ελαττωματική	1. Ελέγξτε την πίεση και τη ροή της παροχής 2. Ελέγξτε τη μονάδα Φροντίδας αέρα (Aircare) 3. Αντικαταστήστε τη μονάδα
Εντοπίστηκε οσμή	1. Η Μάσκα δεν έχει τοποθετηθεί σωστά ή είναι κατεστραμμένη 2. Φροντίδα αέρος– Η μονάδα φιλτραρίσματος αέρα χρειάζεται συντήρηση (εάν χρησιμοποιείται) 3. Η εξωτερική παροχή αέρα είναι μολυσμένη	1. Επανατοποθετήστε ή αντικαταστήστε τη μάσκα 2. Ελέγξτε τη μονάδα Φροντίδας αέρα (Aircare) 3. Ελέγξτε την ποιότητα της εξωτερικής παροχής

ΟΔΗΓΙΕΣ ΚΑΘΑΡΙΣΜΟΥ

Συνιστάται ο καθαρισμός μετά από κάθε χρήση.

Καθαρίστε τη μάσκα (χωρίς τα φίλτρα) σύμφωνα με τις οδηγίες χρήσεως της μάσκας.

Χρησιμοποιείστε ένα υγρό πανί βουτηγμένο σε νερό και σαπουνί οικιακής χρήσης.

Βεβαιωθείτε ότι τα εσωτερικά τμήματα των υλικών είναι στεγνά πριν τη χρήση τους.

Μην βουτάτε το σύστημα σε νερό.

Μην χρησιμοποιείται πεπιεσμένο αέρα για καθαρισμό του προϊόντος.

Μην χρησιμοποιείτε βενζίνη, χλωριωμένα απολυπαντικά υγρά (όπως τριχλωροαιθυλένιο), οργανικούς διαλύτες ή λειαντικά για να καθαρίσετε οποιοδήποτε μέρος του εξοπλισμού.

Για απολύμανση χρησιμοποιήστε ειδικά υγρά μαντηλάκια, όπως περιγράφονται το Φυλλάδιο.

ΑΠΟΘΗΚΕΥΣΗ ΚΑΙ ΜΕΤΑΦΟΡΑ

Η συσκευή πρέπει να αποθηκεύεται στα αρχικά κουτιά συσκευασίας σε στεγνό, καθαρό περιβάλλον, μακριά από ήλιο, υψηλές θερμοκρασίες, πετρελαιοειδή και ατμούς διαλυτών.

Μην αποθηκεύετε σε θερμοκρασίες της τάξεως από -10°C έως +50°C ή σε επίπεδα υγρασίας τάξεως πάνω από 90%.

Όταν αποθηκευτεί σωστά, η διάρκεια ζωής του προϊόντος στο ράφι είναι 5 χρόνια από την ημερομηνία κατασκευής.

Η αρχική συσκευασία είναι κατάλληλη για μεταφορά σε χώρες της Ευρωπαϊκής Ένωσης.

ΤΕΧΝΙΚΕΣ ΠΡΟΔΙΑΓΡΑΦΕΣ

Προστασία Αναπνοής

EN14594 Κλάση 4A/4B όταν συνδυάζεται με εγκεκριμένη 3M™ Μάσκα Ολοκλήρου Προσώπου.

EN14594 Κλάση 3A/3B όταν συνδυάζεται με εγκεκριμένη 3M™ Μάσκα Μισού Προσώπου.

Οι μάσκες και οι σωλήνες αναπνοής καλύπτουν τις απαιτήσεις για υψηλότερες αντοχές (B) του EN14594. Έχουν εγκριθεί για χρήση με μια σειρά από σωλήνες παροχής πεπιεσμένου αέρα που καλύπτουν και τις χαμηλότερες και τις υψηλότερες απαιτήσεις αντοχής (A και B). Παρακαλώ δείτε για περισσότερες πληροφορίες την ενότητα Σήμανση Εξοπλισμού.

Συνθήκες Λειτουργίας

-0 έως +40°C και <90 % υγρασία

Πίεση στο Στόμιο Εισόδου

Εύρος τιμών πίεσης: 3,0 - 7,0 bar

Μέγιστη Πίεση: 10 bar

Χαρακτηριστικά Ροής

Minimum ροή του Κατασκευαστή (MMDf) 120 l/λεπτό

Μέγιστη Ροή (5-7 Bar): >310 l/min

Μέγιστη Ροή (3-5 Bar): 200-310 l/min

Περιορισμοί για Μέγιστη Χρήση

Λειτουργία με παροχή αέρα και με Μάσκα Μισού Προσώπου: 50 x Επιτρεπτό Όριο Έκθεσης.

Λειτουργία με παροχή αέρα και με Μάσκα Ολοκλήρου Προσώπου: 200 x Επιτρεπτό Όριο Έκθεσης

Όταν αποσυνδεθεί, η μέγιστη συγκέντρωση που χρησιμοποιείται θα εξαρτηθεί από τα επίπεδα που αναφέρονται στα σχετικά φυλλάδια οδηγιών των Φιλτρων (π.χ. A1 όταν έχουν τοποθετηθεί φίλτρα σε μάσκα μισού προσώπου, η μέγιστη χρήση συγκέντρωσης θα είναι 50 x TLV σε λειτουργία με παροχή αέρα, αλλά μόνον 10 x TLV όταν ο αέρας έχει αποσυνδεθεί).

Σωλήνας Παροχής Πεπιεσμένου Αέρα (CAST)

Σταθερό σε EN14594 'B'.

Μέγιστο Μήκος (CAST): 30 μέτρα

Μέγιστη Ασφαλή Εργατική Πίεση: 10 Bar

ΕΓΚΡΙΣΕΙΣ

Τα προϊόντα αυτά είναι πιστοποιημένα σύμφωνα με τις Βασικές Απαιτήσεις Ασφαλείας της Ευρωπαϊκής Οδηγίας 89/686/EEC και φέρουν επομένως τη σήμανση CE.

Πιστοποιήσεις σύμφωνα με το Άρθρο 10, EC Type-Examination και το Άρθρο 11, EC Quality Control έχουν εκδοθεί από BSI, Kitemark Court, Davy Avenue, Knowlhill, Milton Keynes, MK5 8PP, UK (Notified body number 0086).

PL

Niniejszą instrukcję i ulotkę referencyjną należy czytać w połączeniu z instrukcją obsługi odpowiedniej części twarzowej oraz elementów oczyszczających, gdzie znajdują się informacje na temat: Dopuszczonych połączeń części twarzowych i elementów oczyszczających 3M.

- Części zamiennych
- Akcesoriach

▲ **Należy zwrócić szczególną uwagę na ostrzeżenia.**

ROZPAKOWANIE

Twój 3M™ aparat węzowy sprężonego powietrza S-200+ powinien zawierać:

- a) Zespół regulatora (S-212)
- b) Wąż oddechowy (S-222)
- c) Pas
- d) Zawory nadmiarowe
- e) Wskaźnik przepływu (FCB-01)

OPIS SYSTEMU

3M™ aparat węzowy sprężonego powietrza S-200+ jest przeznaczony do stosowania z dopuszczonymi 3M™ częściami twarzowymi (patrz ulotka referencyjna).

Produkt spełnia wymagania normy EN14594 (Sprzęt ochrony układu oddechowego – aparaty węzowe sprężonego powietrza o ciągłym przepływie).

Aparat węzowy sprężonego powietrza jest noszony na pasie i posiada zamontowaną złączkę do przewodu doprowadzającego sprężone powietrze oraz złączkę do podłączenia dopuszczonych pistoletów lakierniczych i narzędzi pneumatycznych.

Aparat węzowy sprężonego powietrza jest przeznaczony i dopuszczony do stosowania w trybie podwójnej ochrony lub w trybie zasilania sprężonym powietrzem w połączeniu z 3M™ częściami twarzowymi i elementami oczyszczającymi wskazanymi w ulotce referencyjnej.

Tryb podwójnej ochrony.

- W tym trybie odpowiednie filtry cząstek i/lub pochłaniacze gazów i par są zamocowane do węża oddechowego.
- Dołączone elementy oczyszczające zapewniają ochronę gdy zasilanie sprężonym powietrzem jest odłączone lub gdy podłączenie do sprężonego powietrza nie jest możliwe (np. wchodzenie lub wychodzenie z zanieczyszczonego obszaru).
- Użytkownik musi dobrać elementy oczyszczające zapewniające odpowiednią ochronę przed zanieczyszczeniami.
- Zawsze należy używać pary identycznych elementów oczyszczających.
- Efektywny czas użytkowania pary elementów oczyszczających zależy przede wszystkim od poziomu zanieczyszczenia powietrza, intensywności pracy, czasu ekspozycji itp. Elementy oczyszczające powinny zostać wymienione gdy użytkownik wyczuje pod maską smak lub zapach zanieczyszczeń. Jakkolwiek regularna wymiana elementów oczyszczających przed wykryciem zanieczyszczeń jest wysoce rekomendowana.
- Elementy oczyszczające powinny być wymieniane parami najdalej po upływie miesiąca nawet jeśli zanieczyszczenia nie zostały wykryte. W przypadku wątpliwości zawsze należy wymienić elementy oczyszczające.
- Dalsze instrukcje i ostrzeżenia dotyczące doboru, stosowania i wymiany elementów oczyszczających w tym trybie można znaleźć w instrukcji obsługi elementów oczyszczających i części twarzowych.
- Nadmiar powietrza może wydostawać się na zewnątrz przez elementy oczyszczające przy wyższych ustawieniach przepływu na regulatorze lub podczas wydechu.
- Nadmiar wilgoci w powietrzu zasilającym może skracać żywotność elementów oczyszczających.
- **Do węża oddechowego wolno dołączać wyłącznie elementy oczyszczające przeznaczone do stosowania z półmaskami.**

Tryb z doprowadzeniem powietrza

- 3M™ aparat węzowy sprężonego powietrza S-200+ w połączeniu z częściami twarzowymi 3M™ z połączeniami bagnetowymi może być stosowany w trybie z doprowadzeniem powietrza, po podłączeniu do zewnętrznego źródła sprężonego powietrza o jakości nadającej się do oddychania.
- Nadmiar powietrza może wydostawać się na zewnątrz przez zawory nadmiarowe przy wyższych ustawieniach przepływu na regulatorze lub podczas wydechu.

▲ OSTRZEŻENIE

- **Właściwy dobór, przeszkolenie użytkownika, odpowiednie przechowywanie i konserwacja zapewnią właściwą ochronę użytkownika przed zanieczyszczeniami atmosfery. Nie przestrzeganie wszystkich zaleceń i ograniczeń zawartych w instrukcji użytkowania produktu i/lub niewłaściwe jego noszenie w czasie przebywania w środowisku zanieczyszczonym może zmniejszyć efektywność ochrony oraz spowodować wiele chorób lub doprowadzić do trwałego uszczerbku na zdrowiu.**
- Dla właściwego użytkowania produktów należy przestrzegać lokalne przepisy, stosować się do informacji zawartych w instrukcjach, w przypadku jakichkolwiek wątpliwości należy skontaktować się z pracownikiem działu BHP lub przedstawicielem 3M.

Zapoznaj się ze wszystkimi instrukcjami i zachowaj je do dalszego wykorzystania.

Niniejszy sprzęt ochrony układu oddechowego należy stosować ściśle zgodnie ze wszystkimi instrukcjami obsługi:

- - instrukcją zawartą w niniejszej publikacji,
 - - instrukcjami załączonymi do pozostałych elementów systemu.
 - Nie stosować przy stężeniu zanieczyszczeń powyżej wartości podanych w specyfikacji technicznej.
 - Nie stosować do ochrony układu oddechowego przed nieznanymi zanieczyszczeniami atmosfery lub w przypadku nieznanego stężenia zanieczyszczeń lub gdy zanieczyszczenia bezpośrednio zagrażają zdrowiu lub życiu (NDSP).
 - Nie stosować w atmosferze zawierającej poniżej 19,5% tlenu. (Zgodnie z definicją 3M. Poszczególne kraje mogą posiadać swoje własne limity zawartości tlenu w atmosferze. W razie wątpliwości należy zwrócić się o poradę).
 - Należy używać wyłącznie części twarzowych, elementów oczyszczających, części zamiennych i akcesoriów wymienionych w ulotce referencyjnej, oraz stosować w warunkach podanych w specyfikacji technicznej.
 - Produkt może być używany wyłącznie przez przeszkolonych i kompetentnych pracowników.
 - Należy niezwłocznie opuścić zanieczyszczony obszar w przypadku:
 - a) uszkodzenia którejkolwiek części systemu,
 - b) spadku lub zatrzymania przepływu powietrza do części twarzowej,
 - c) gdy oddychanie staje się utrudnione.
 - d) wystąpienia zawrotów głowy lub innych dolegliwości,
 - e) pojawienia się smaku, zapachu lub podrażnienia.
 - Nie wolno modyfikować lub przerabiać produktu. Poszczególne części należy wymienić na oryginalne wyprodukowane przez 3M.
 - Nie wolno stosować tlenu lub powietrza o podwyższonej zawartości tlenu.
 - Przed zastosowaniem w atmosferze grożącej zapaleniem lub wybuchem należy skontaktować się z Działem Bezpieczeństwa Pracy w regionalnym oddziale firmy 3M.
 - Podczas użytkowania w temperaturze poniżej +4°C, wilgotność wdychanego powietrza należy kontrolować, aby zapobiec zamarzaniu urządzenia.
 - Należy zawsze:
 - wiedzieć, skąd pochodzi powietrze zasilające
 - znać stopień czystości powietrza zasilającego
 - dbać, by powietrze zasilające urządzenie nadawało się do oddychania – spełniało wymagania normy EN12021.
 - Należy upewnić się, że ilość dostarczanego powietrza z sieci jest wystarczająca dla każdego podłączonego do niej użytkownika.
 - Jeśli dodatkowe akcesoria pneumatyczne mają być zasilane przez zewnętrzne złącze regulatora, należy się zawsze upewnić, że przynajmniej minimalny przepływ powietrza do części twarzowej zostanie zapewniony przy maksymalnym zapotrzebowaniu akcesorii na powietrze.
- Przy używaniu narzędzi pneumatycznych, wymagane jest ciśnienie powietrza minimum 4,5 bara. W celu uzyskania dalszych informacji o kompatybilności narzędzi pneumatycznych należy się kontaktować z przedstawicielem 3M.
- **Gdy podczas używania produkt wytwarza podwyższony poziom hałasu, należy zapewnić dostępność ochronników słuchu.**
 - W warunkach bardzo dużego wysiłku fizycznego w trakcie intensywnego wdychania może powstawać podciśnienie.
 - Produkt należy używać wyłącznie na stanowiskach pracy, na których

ryzyko uszkodzenia przewodu doprowadzającego sprężone powietrze jest niskie, a użytkownik nie wykonuje wielu ruchów. Instalacja doprowadzająca sprężone powietrze powinna być wyposażona odpowiednio wyregulowany nadmiarowy zawór ciśnieniowy o odpowiednich parametrach.

- Regulator jest podłączony za pomocą szybkozłączek obustronnie odcinających. Należy zachować uwagę przy odłączaniu węża oddechowego i przewodu doprowadzającego sprężone powietrze. Należy zawsze upewnić się, że obie złączki są podłączone. Wąż oddechowy jest oznakowany S-222 a wtyczka na regulatorze posiada znak "S" dla wskazania, że zastosowane są szybkozłączki obustronnie odcinające

- Ten system nie może być użytkowany z przewodnymi systemami zasilania sprężonym powietrzem.
- Jeżeli podczas używania systemu pojawi się wyciek powietrza, należy opuścić zanieczyszczony obszar i pod żadnym pozorem nie należy próbować powstrzymać wycieku przy użyciu jakiegokolwiek części ciała.
- Nie należy usuwać pierścieni uszczelniających ponieważ może to istotnie obniżyć poziom ochrony, który zapewnia system.

⚠ Sprzęt nie może być używany przez osoby posiadające brodę lub inny zarost na twarzy, który mógłby uniemożliwić szczelne przyleganie maski do twarzy.

- System nie może być używany z elementami oczyszczającymi gdy istnieje ryzyko ich zaruszenia w wodzie.
- System powinien być sprawdzony a elementy oczyszczające wymienione gdy system lub elementy oczyszczające były narażone na działanie płomieni.
- Materiały stykające się ze skórą użytkownika nie wywołują reakcji alergicznych.
- Produkt ten nie zawiera komponentów wykonanych z naturalnej gumy lateksowej.

OZNACZENIA

Oznakowanie części twarzowych patrz odpowiednia instrukcja obsługi.

Regulator S-212 jest oznakowany symbolem normy EN14594 4B i EN14594 3B oraz datą produkcji.

Przewody sprężonego powietrza są oznakowane symbolem normy EN14594. Posiadają także następujące oznakowanie:

308-00-40P jest oznakowany literą A - odpowiedni do stosowania z urządzeniami klasy A (EN14594).

308-00-72P jest oznakowany napisem "Heat Resistant" i "Anti static".

PRZYGOTOWANIE PRZED UŻYCIEM

Sprawdź czy sprzęt jest kompletny, nieuszkodzony, prawidłowo skompletowany. Części uszkodzone lub wadliwe należy wymienić przed użyciem sprzętu.

Należy przeprowadzić kontrolę stanu części twarzowej tak jak pokazano w odpowiedniej instrukcji obsługi.

Należy sprawdzić przed użyciem prawidłowość zamocowania uszczelki. Upewnij się że złączka przewodu do pistoletu lakierniczego jest prawidłowo włożona.

Montaż

1. Zamocuj pas regulatora tak jak pokazano na rys. 1.

2. Podłącz wąż oddechowy do regulatora tak jak pokazano na rys. 2.

3. Podłącz wąż oddechowy do części twarzowej tak jak pokazano na rys. 3.
UWAGA: Należy upewnić się, że symbol 3M na części w kształcie litery "Y" na wężu oddechowym jest skierowany do góry co wskazuje odpowiednie położenie węża oddechowego.

4. Jeżeli stosujemy system w trybie zasilania sprężonym powietrzem, zaworki nadmiarowe muszą być zamocowane do węża oddechowego (patrz rys. 4). Przy użyciu systemu w trybie podwójnej ochrony do węża oddechowego trzeba dołączyć parę odpowiednich elementów oczyszczających (patrz rys. 5).

5. Przewodem doprowadzającym sprężone powietrze połączyć opcjonalną jednostkę filtrującą powietrze 3M Aircare i regulator S-200+, sprawdzając, czy ciśnienie w jednostce filtrującej zostało wyregulowane zgodnie z zaleceniami w części pt. „Specyfikacja techniczna”.

6. Przed użyciem ustaw regulator na najniższy przepływ i dokonaj sprawdzenia poziomu przepływu stosując torbę kontrolną z rotametrem (patrz rys. 6). Upewnij się że torba została dobrze uszczelniona przy pomocy dłoni..

INSTRUKCJA UŻYTKOWANIA

ZAKŁADANIE

1. Należy dostosować za pomocą sprzączki długość paska tak aby zapewnić jego komfortowe dopasowanie do użytkownika.

2. Wyreguluj i załóż część twarzową tak jak pokazano w odpowiedniej instrukcji obsługi.

3. Upewnij się, że minimalny wymagany poziom przepływu powietrza do części twarzowej został osiągnięty a następnie wyreguluj przepływ tak aby uzyskać maksymalny komfort.

PODCZAS UŻYTKOWANIA

Jeżeli w czasie używania sprzętu przepływ powietrza zostanie przerwany lub zmniejszony, należy niezwłocznie opuścić zanieczyszczony obszar i sprawdzić przyczynę.

Należy uważać, aby wąż oddechowy nie określił się wokół wystających przedmiotów. Jeżeli tak się zdarzy należy opuścić zanieczyszczony obszar i sprawdzić czy sprzęt nie jest uszkodzony lub zniszczony.

Okres użytkowania produktu zależy od częstotliwości i warunków w jakich jest on używany.

Przy codziennym użytkowaniu zaleca się wybrukowanie produktu po około 5 latach pracy, pod warunkiem że produkt był przechowywany i serwisowany zgodnie z zapisami poniżej..

Niektóre ekstremalne warunki pracy mogą spowodować wcześniejsze zużycie.

ZDEJMOWANIE

Nie zdejmuj części twarzowych, elementów oczyszczających lub nie odłączaj systemu doprowadzającego powietrze dopóki nie opuścisz zanieczyszczonego terenu.

1. Zdejmij część twarzową zgodnie z odpowiednią instrukcją obsługi.

2. Odłącz przewód doprowadzający sprężone powietrze do regulatora..

3. Odepnij pas biodrowy

UWAGA

Nie należy odłączać węża oddechowego od regulatora gdy stsem jest pod ciśnieniem gdyż może to prowadzić do uwolnienia powietrza pod wysokim ciśnieniem.

Jeżeli sprzęt ochrony układu oddechowego został użyty w obszarze, w którym nastąpiło jego zanieczyszczenie substancją wymagającą specjalnych procedur usuwania zanieczyszczeń, należy umieścić go w odpowiednim pojemniku i szczelnie zamknąć do czasu, gdy możliwe będzie usunięcie zanieczyszczeń.

KONSERWACJA

Konserwacja, obsługa i naprawa mogą być dokonywane jedynie przez odpowiednio przeszkolonych pracowników.

⚠ Stosowanie nieoryginalnych części 3M i nieautoryzowane modyfikacje sprzętu mogą doprowadzić do poważnego zagrożenia zdrowia lub życia użytkownika oraz spowodują utratę gwarancji producenta.

Produkt wymaga minimum obsługi. W przypadku uszkodzenia jednego z elementów należy go wymienić. Wymienione elementy muszą zostać prawidłowo zamontowane.

CO	KIEDY
Kontrola ogólna	Przed użyciem Raz na miesiąc jeżeli nagłowie nie jest używane regularnie
Czyszczenie	Po użyciu

W celu spełnienia wymogów przepisów bezpieczeństwa i higieny pracy, comiesięczną kontrolę sprzętu należy rejestrować. Ewidencja ta powinna być prowadzona przez okres co najmniej 5 lat.

WYKRYWANIE USTEREK

Objaw	Możliwa przyczyna	Rozwiązanie
Brak dopływu powietrza	1. Zewnętrzne źródło zasilania powietrzem jest wyłączone 2. Przewód doprowadzający sprężone powietrze jest zatkany lub zablokowany 3. Urządzenie jest niesprawne	1. Włączyć źródło zasilania powietrzem 2. Sprawdzić przewód doprowadzający sprężone powietrze 3. Wymienić regulator
Niski przepływ powietrza (wskaźnie rotametru)	1. Niskie ciśnienie lub poziomy przepływu w zewnętrznym źródle zasilania powietrzem 2. AirAircare – jednostka filtrująca (jeżeli jest używana) jest zatkana 3. Urządzenie jest niesprawne	1. Sprawdzić ciśnienie i przepływ w źródle zasilania powietrzem 2. Sprawdzić jednostkę filtrującą Aircare 3. Wymienić regulator
Wykryty zapach	1. Część twarzowa źle dopasowana lub uszkodzona 2. Aircare – jednostka filtrująca (jeżeli jest używana) wymaga konserwacji 3. Zewnętrzne źródło zasilania powietrzem zostało skażone	1. Dopasuj ponownie lub wymień część twarzową 2. Sprawdzić jednostkę filtrującą Aircare 3. Sprawdzić jakość powietrza zasilającego

Warunki pracy

-0 do +40°C i <90 % wilgotności

Ciśnienie zasilania

Zakres ciśnienia: 3,0 - 7,0 barów

Maksymalne ciśnienie: 10 bar

Charakterystyka wypływu powietrza

Zalecany przez producenta minimalny przepływ powietrza (MMDF) 120 l/min

Maksymalny przepływ (5-7barów): >310 l/min

Maksymalny przepływ (3-5 barów): 200-310 l/min

Ograniczenia Stosowania

Półmaska w trybie zasilania powietrzem: 50 x NDS

Maska pełna w trybie zasilania powietrzem: 200 x NDS

Po odłączeniu sprężonego powietrza maksymalny poziom ochrony zależy od współczynników podanych w instrukcji do elementów oczyszczających (np. pochłaniacze A1 w połączeniu z półmaską zapewniają ochronę do 50 x NDS przy podłączeniu sprężonego powietrza ale tylko do 10 x NDS po odłączeniu powietrza)

Przewody doprowadzające sprężone powietrze (CAST)

Normalnego stosowania zgodnie z EN14594 "B"

Maksymalna długość przewodu: 30 metrów

Maksymalne bezpieczne ciśnienie robocze: 10 barów

ZATWIERDZENIA

Ten produkt spełnia Podstawowe Wymogi Bezpieczeństwa zawarte w Dyrektywie Europejskiej 89/686/EEC (Dyrektywa Środków Ochrony Indywidualnej) i jest oznaczony znakiem CE.

Certyfikaty zgodnie z Artykułem 10 – Certyfikat oceny typu WE oraz Artykułem 11 – Kontrola Jakości WE zostały wydane przez BSI, Kitemark Court, Davy Avenue, Knowlhill, Milton Keynes, MK5 8PP, UK (jednostka notyfikowana nr 0086).

INSTRUKCJE DOTYCZĄCE CZYSZCZENIA

Czyszczenie produktu zalecane jest po każdym użyciu.

Wyczyść część twarzową (z wyjątkiem elementów oczyszczających) zgodnie z jej instrukcją obsługi.

Do czyszczenia należy stosować czystą szmatkę nasączoną łagodnym roztworem wody i mydła w płynie.

Przed użyciem upewnij się, że wnętrze poszczególnych elementów jest suche.

Nie zanurzaj regulatora w wodzie.

Nie należy stosować sprężonego powietrza do czyszczenia produktu.

Do czyszczenia nie wolno stosować: benzyny, cieczy odtłuszczających na bazie chloru (takich jak trichloroetylen), rozpuszczalników organicznych i ściernych środków czyszczących.

W celu dezynfekcji nagłowia należy zastosować ściereczki opisane w broszurze referencyjnej.

PRZECHOWYWANIE I TRANSPORT

Te produkty należy przechowywać w dostarczonym opakowaniu w suchym i czystym pomieszczeniu z dala od bezpośredniego oddziaływania promieni słonecznych, źródeł wysokiej temperatury, oparów benzyny i rozpuszczalników.

Nie przechowywać w temperaturze poniżej -10°C i powyżej +50°C lub przy wilgotności powyżej 90%.

Okres przechowywania produktu wynosi 5 lat od daty produkcji o ile spełnione zostały warunki jego przechowywania.

Oryginalne opakowanie produktu jest odpowiednie do jego transportowania na terenie UE.

SPECYFIKACJA TECHNICZNA

Ochrona układu oddechowego

EN14594Klasa 4A/4B w połączeniu z douszczoną maską pełną3M™

EN14594Klasa 3A/3B w połączeniu z dopuszczoną półmaską3M™.

Części twarzowe i węże oddechowe spełniają wymogi podwyższonej wytrzymałości zgodnie z normą EN14594. Są one dopuszczone do stosowania z przewodami doprowadzającymi sprężone powietrze które spełniają wymogi zarówno niższej jak i wyższej wytrzymałości (A i B). Patrz akapit Znakowanie Sprzętu.

(HU)

Kérjük olvassa el ezt a használati útmutatót és a referenciafüzetet a megfelelő 3M™ fejresz vagy 3M™ szűrő használati útmutatójával együtt, melyben a következőkről talál információkat:

- a minősített 3M™ légzésvédő maszkokról és 3M™ szűrőbetétekről,
- a pótalkatrészekről
- kiegészítőkről

▲ Kérjük, fordítson kiemelt figyelmet a használati útmutató "Figyelem" részében leírtakra.

KICSOMAGOLÁS

A 3M™ S-200+ nyomólevegős szabályozóegység a következőket tartalmazza:

- a) Szabályozó egység (S-212)
- b) Légzőcső (S-222)
- c) Őv
- d) Túlfolyó-szelep
- e) Légáramlás ellenőrző készülék (FCB-01)

A RENDSZER LEÍRÁSA

A 3M™ S-200+ nyomólevegős szabályozóegység a megfelelő, jóváhagyott 3M™ arccsészéllel történő használatra lett tervezve. (Tekintse meg a referenciafüzetet!)

A termék megfelel az EN14594 (Légzésvédők – Folyamatos adagolású, nyomólevegős légzésvédő készülékek) szabvány követelményeinek.

Az állítható szabályozó- / áramlásvezérlő egység derékra csatlakozható. Egy bemeneti és egy külső kimeneti nyílással rendelkezik, melyre festékszóró, vagy pneumatikus szerszám csatlakozhat.

A nyomólevegős szabályozóegység tervezése és jóváhagyása a kettős vagy a nyomólevegős üzemmódban történő használatot teszi lehetővé a referenciafüzetben található 3M™ álarccal és szűrőkkel.

Kettős üzemmód

- Ebben az üzemmódban a megfelelő részecske- és/vagy gáz- és gőzszűrőket a légzőcsőhöz illesztjük.
- A szűrők védelmet nyújtanak abban az esetben, ha a túlnyomásos légellátás megszűnik, vagy ha valamilyen okból nem lehetséges (pl. belépés a szennyezett területre vagy kilépés onnan).
- A felhasználónak olyan szűrőket kell kiválasztania, melyek védelmet nyújtanak az adott szennyezőanyagokkal szemben.
- Minden esetben egy pár azonos típusú szűrő használata szükséges.
- A szűrőpár effektív élettartama függ a szennyezőanyag koncentrációjától, a használat gyakoriságától és időtartamától stb. A szűrők cseréje szorulnak, amennyiben a felhasználó szennyezőanyagok beszivárgását, szagot vagy ízt érez. A teljes biztonság érdekében ajánlott a szűrőket már a fentiek észlelése előtt cserélni.
- A szűrők párban történő cseréje szorulnak 1 HÓNAPON BELÜL akkor is, ha semmilyen szennyezőanyag jelenlétét nem érzékelik. Bármely kétely esetén cserélje ki a szűrőket.
- További információk és figyelmeztetések a kiválasztásról, valamint a szűrők ebben az üzemmódban történő használatáról és cseréjéről a szűrők és álarccok használati útmutatójában található.
- A felesleges légmennyiség távozhat a szűrőkön keresztül, illetve nagyobb szabályozóteljesítmény esetén, vagy a kilégzés során.
- A levegő túl magas páratartalma hátrányosan befolyásolhatja a szűrők élettartamát.
- **Csakis a féllárcokhoz tervezett szűrők használhatók a 3M légzőcsővel a referenciafüzetben ábrázolt módon.**

Nyomólevegős üzemmód

- A 3M™ S-200+ nyomólevegős szabályozóegység 3M™ álarccal és bajonettsatlakozókkal használható nyomólevegős üzemmódban külső, lélegezhető minőségű, túlnyomásos levegőforrás alkalmazása esetén.
- A felesleges légmennyiség nagy szabályozóteljesítmény mellett, vagy kilégzés során a túlfolyószelepen keresztül távozhat.

▲ FIGYELEM

- **A megfelelő típus kiválasztás, oktatás, alkalmazás és a rendszeres karbantartás elengedhetetlen ahhoz, hogy a termék biztonságosan védje használóját bizonyos levegő szennyezőanyagok ellen. A termék használatára vonatkozó bármely utasítás be nem tartása, és/vagy a légzésvédő rendszer viselésének elmulasztása az expozíció teljes ideje alatt káros hatással lehet a viselő egészségére, súlyos betegséget vagy**

tartós munkaképtelenséget okozhat.

• A megfelelő és szabványos használat mellett kapcsolatban kövesse a helyi előírásokat, illetve az útmutatóban leírtakat, konzultáljon a helyi 3M képviselővel! (A címeket és telefonszámokat ebben az útmutatóban találja.)

Az összes utasítást/leírást őrizze meg a későbbi hivatkozás céljára!

Ezt a légzésvédő rendszert szigorúan azoknak az utasításoknak megfelelően használja:

- melyek ebben az útmutatóban találhatók, illetve
 - a rendszer egyéb komponenseihez tartoznak
 - Ne használja, amennyiben a szennyezőanyag-koncentráció a technikai specifikációk között megadottakat meghaladja.
 - Ne használja légzésvédelemre ismeretlen atmoszférikus szennyezőanyagok ellen, vagy amikor a szennyezőanyagok koncentrációja ismeretlen, közvetlenül veszélyes az életre vagy az egészségre (IDLH).
 - Ne használja 19,5%-nál kevesebb oxigént tartalmazó légtérben! (3M definíció. Egyes országok saját határértékeiket alkalmazhatják az oxigénhiányra. Amennyiben kétségei vannak az alkalmazhatósággal kapcsolatban, kérjen tanácsot!)
 - Csakis a referenciafüzetben és a technikai specifikációk között, a használat körülményei alatt megadott álarccal, szűrőkkel, cserealkatrészekkel és kiegészítőkkal használható.
 - Csak képzett, kompetens személyzet által használható.
 - Azonnal hagyja el a szennyezett területet, ha:
 - a) a rendszer bármelyik része megsérül,
 - b) a légáramlás az álarcon csökken vagy leáll,
 - c) a légzés megnehezül,
 - d) szédülés vagy más rosszullét esetén,
 - e) szennyezőanyag ízt vagy szagát érz, vagy irritáció esetén.
 - Soha ne módosítsa vagy változtassa meg ezeket a termékeket, az alkatrészeket csak eredeti 3M alkatrészekkel cserélje!
 - Ne használjon oxigént vagy oxigénnel dúsított levegőt!
 - Ha robbanásveszélyes helyen kívánja használni, előtte forduljon a 3M képviselőjéhez!
 - +4°C-nál alacsonyabb hőmérsékletű környezetben való használat esetén a készülék befagyását a belegezített levegő nedvességtartalmának szabályozásával meg kell gátolni.
 - Mindig gondoskodjon arról, hogy
 - a levegőellátás forrása ismert legyen,
 - a biztosított levegő tisztasága ismert legyen,
 - a biztosított levegő (az EN12021 szabvány szerint belegezésre alkalmas minőségű) legyen.
 - Győződjön meg arról, hogy a levegőellátást biztosító rendszer kapacitása megfelelő-e minden csatlakozó felhasználó számára.
 - Ha a kimeneti csatlakozóra pneumatikus szerszámot kíván csatlakoztatni, mindig ügyeljen rá, hogy legalább a minimálisan szükséges mennyiségű levegő bejuttatás alá abban az esetben, amikor a kiegészítő szerszám a legmagasabb teljesítményen üzemel.
- Levegős egység használatokor a szükséges minimális nyomás 4,5 bar. A levegős egység kompatibilitásával kapcsolatos kérdéseivel kérjük, keresse fel a 3M-et.
- **Használat közben a termék megnövekedett zajszintet generálhat. Szükség szerint hallásvédő eszköz biztosítása javasolt.**
 - Magas teljesítmény mellett, az álarc alatt negatív nyomás alakulhat ki erős belegezés esetén.
 - A terméket kizárólag olyan munkavégzési helyzetekben szabad használni, amelyekben a sűrített levegős tömlő károsodásának veszélye alacsony, és a viselő korlátozott mozgást végez. A sűrített levegős tömlőt egy megfelelő osztályozású és megfelelően beállított nyomásmentes biztonsági szeleppel kell felszerelni.
 - A szabályozó kettős biztonsági csatlakozatával illeszkedik. Fokozott elővigyázatossággal kapcsolja le a légzőcsövet és a sűrített levegős tömlőt! Mindig győződjön meg arról, hogy a biztonsági csatlakozókat együtt használja! A légzőcső jelölése S-222 és a csatlakozó S-el jelöltük, mely a kettős biztonsági csatlakozást jelöli.
 - Ezek az egységek nem használhatók mozgó sűrített levegő ellátó rendszerrel.
 - Ha a rendszer használatra közben levegő beszivárgását észleli, legyen az bármilyen kicsi, azonnal hagyja el a szennyezett területet és a helyétől függetlenül semmilyen körülmény között ne próbálja meg megszüntetni a szivárgást.
 - Ne távolítsa el a szigetelőgyűrűt, mivel az negatívan befolyásolhatja a

rendszer teljesítményét.

⚠ Ne használja a terméket szakállal, vagy más arcszözzettel, amely gátolhatja az arc és az álarc szélének érintkezését!

- A rendszer nem használható szűrőkkel olyan esetekben, amikor fennáll a véletlen víz alá merülés veszélye.
- A rendszer ellenőrzésre, a szűrők pedig cseréire szorulnak, amennyiben bármelyik lángok hatásának volt kitéve.
- A viselő bőrével érintkezésbe kerülő anyagok az emberek többségénél nem okoznak allergiás reakciókat.
- Ez a termék nem tartalmaz természetes latex gumból készült elemeket.

JELÖLÉSEK

Az álarcok jelölése kapcsán tekintse meg a vonatkozó használati útmutatót. Az S-212 szabályozó egységen a következő jelöléseket találja: EN 14594 4B, EN 14591 3B, valamint a gyártás dátumát.

A sűrített levegős tömlőkön az EN 14594 szabvány száma, valamint az alábbi jelölések találhatóak:

A 308-00-40P A jelölést hordoz - alkalmas az A osztályba (EN 14594) tartozó készülékekkel történő használatra.

A 308-00-72P az alábbi jelöléseket tartalmazza: Hőálló és Antisztatikus.

A HASZNÁLAT ELŐKÉSZÍTÉSE

Ellenőrizze, hogy a készüléket helyesen szerelte össze, és minden alkatrésze sérülésmentes! Bármelyik hibás vagy sérült elemet csak eredeti 3M alkatrészszel szabad kicserélni.

Használat előtt végezze el a megfelelő ellenőrzéseket az álarcon a vonatkozó használati útmutatónak megfelelően.

Használat előtt győződjön meg róla, hogy a szigetelőgyűrűk a helyükön vannak.

Ügyeljen rá, hogy a kiegészítő dugó megfelelően illeszkedik és használat után cserére szorul.

Összeszerelés

1. Illessze az övet a szabályozóegységhez a 1 ábrán jelölt módon.
 2. Illessze a légzőcsövet a szabályozóegységhez a 2 ábrán jelölt módon.
 3. Csatlakoztassa a légzőcsövet az álarchoz a 3 ábrán jelölt módon.
- MEGJEGYZÉS: Győződjön meg arról, hogy a 3M szimbólum a légzőcső "Y" elemén felül helyezkedjen el, a légzőcső helyes beállításához.**
4. Amennyiben a rendszert NYOMÓLEVEGŐS üzemmódban szándékozik használni, egy pár TÚLFOLYÓSZÉLEPET kell a légzőcsőre illeszteni (4 ábra). Amennyiben a rendszert KETTŐS üzemmódban szándékozik használni, egy pár MEGFELELŐ SZÜRÖT kell a légzőcsőre illeszteni (5 ábra).
 5. A megfelelő légzőtömlővel csatlakoztassa össze a 3M Aircare légszűrő egységet és a(z) S-200+ szabályozót. A légszűrő egységet feltétlenül állítsa be a műszaki specifikációról szóló szakaszban leírt nyomásértékre.
 6. Használat előtt állítsa be a legalacsonyabb áramlási értéket a szabályozóegységen és ellenőrizze a légáramlást az ellenőrzőszákkal (6 ábra). Ügyeljen rá, hogy kezével megfelelően lezárja a zsák nyílását.

HASZNÁLATBA HELYEZÉS

FELHELYEZÉSI UTASÍTÁS

1. Állítsa és csatolja be a derékövet úgy, hogy a szabályozóegység kényelmesen illeszkedjen a derekára.
2. Állítsa be az álarcot a vonatkozó használati utasításnak megfelelően.
3. Győződjön meg arról, hogy legalább a minimálisan elegendő légmennyiség bejut az álarc alá és a maximális kényelem érdekében állítsa be a szabályozóegységet.

HASZNÁLAT KÖZBEN

Ha használat közben a légáramlás leáll vagy lecsökken, azonnal hagyja el a szennyezett területet és vizsgálja ki az okot.

Figyeljen oda, nehogy a légzőtömlő kiálló tárgyak köré hurkolódjon. Ha ez megtörténne, hagyja el a szennyezett területet és ellenőrizze, hogy a készülék nem sérült-e meg.

A termék használat-közbeni élettartama a használat gyakoriságától és az alkalmazási viszonyoktól függően változik.

Mindennapos használat esetén javasolt a termék lecserélése 5 év használat után, feltéve, hogy a termék tárolása az alább megadott módon történik.

Egyes szélsőséges állapotok rövidebb idő alatti tönkremenetelhez vezethetnek.

LEVÉTEL

Ne távolítsa el a légzővédőt, a szűrőbetéteket vagy ne kapcsolja ki a levegő ellátó egységet, amíg a szennyezett területet el nem hagyta!

1. Távolítsa el az álarcot a vonatkozó használati utasításnak megfelelően..
2. Válassza le a légtömlőt a szabályozóegységről.
3. Oldja a derékszíj csatját!

MEGJEGYZÉS

Ne kapcsolja le a légzőcsövet, amíg a rendszer nyomás alatt van, mert ez a nagynyomású levegő kiáramlásához vezet.

Ha a légzővédőt olyan területen használták, ahol különleges dekontaminációs eljárást megkövetelő anyaggal érintkezett, azt egy megfelelő tárolóba kell helyezni és lezárni a dekontaminálásig.

KARBANTARTÁS

A karbantartást, szervizt vagy javítást csak megfelelően képzett személyzet végezheti.

⚠ Az engedély nélküli alkatrészek használata, vagy jóváhagyás nélküli átalakítás életveszélyt okozhat, és érvényteleníti a garanciát.

A légzővédő minimális karbantartásra lett tervezve. Amennyiben bármelyik alkatrész megsérül, dobja el és cserélje ki. Minden cserealkatrész megfelelően kell beszerelni.

MIT	MIKOR
Általános ellenőrzés	Használat előtt Havonta, ha nincs rendszeresen használat
Tisztítás	Használat után

Az egészségvédelmi és biztonsági szabályok betartásához karbantartási naplót kell vezetni a havi ellenőrzésekről. Ezt a naplót 5 évig meg kell őrizni.

HIBAKERESÉS

Hibajelenség	Lehetséges ok	Megoldás
Nem áramlik be levegő	1. A külső levegőforrás ki van kapcsolva 2. A sűrített levegős tömlő eltömítődött vagy beakadt 3. Az egység hibás	1. Kapcsolja be a levegőforrást! 2. Ellenőrizze a tömlőt! 3. Cserélje ki az egységet!
Gyenge légáramlás (légáramlás hiba)	1. A külső levegőforrás nyomása alacsony vagy nem biztosít megfelelő áramlást 2. Az (adott esetben használt) Aircare légszűrő egység eltömítődött 3. Az egység hibás	1. Ellenőrizze a levegőforrás nyomását és áramlási tulajdonságait! 2. Ellenőrizze az Aircare egységet 3. Cserélje ki az egységet!

Szag érezhető	1. Rosszul illeszkedő vagy sérült álarc. 2. Az (adott esetben használt) Aircare légszűrő egység karbantartásra szorul 3. A külső légforrás szennyezett	1. Igazítsa meg vagy cserélje ki az álarcot. 2. Ellenőrizze az Aircare egységet 3. Ellenőrizze a külső légforrás minőségét!
---------------	--	---

TISZTÍTÁS

Minden használat után javasolt a tisztítás.

Tisztítsa meg az álarcot (kivéve a szűrőket) a használati utasításának megfelelő módon.

Használjon egy enyhe szappanos oldattal átitatott tisztító kendőt.

Használat előtt ügyeljen arra, hogy az egyes alkatrészek belső része száraz.

Ne merítse vízbe a szabályozóegységet.

Ne tisztítsa a terméket sűrített levegővel.

Ne használjon benzint, klórbázisú zsírtalanító folyadékokat (mint pl. triklóretilén), szerves oldószereket vagy csiszolóanyagot a berendezés bármely részének tisztítására.

Fertőtlenítésre használja a referencia füzetben megadott törlőkendőket.

TÁROLÁS ÉS SZÁLLÍTÁS

A készüléket a biztosított csomagolásban kell tárolni száraz, tiszta körülmények között, védve a közvetlen napsugárzástól, magas hőmérsékletforrástól, benzin és oldószer gőzöktől.

Ne tárolja -10°C és +50°C közötti hőmérsékleti tartományon kívül vagy 90% páratartalom felett!

Ha a használati útmutatóban leírt körülmények között tárolja, a termék csomagolásának megbontása nélkül, a várható tárolási élettartama gyártástól számított 5 év.

A termék eredeti csomagolása alkalmas az Európai Unió területén történő szállításra.

MŰSZAKI SPECIFIKÁCIÓ

Légzésvédelem

EN14594 4A/4B osztályba tartozik, jóváhagyott 3M™ teljesálarccal együtt használva.

EN14594 3A/3B osztályba tartozik, jóváhagyott 3M™ félálarccal együtt használva.

A légzéscsatlakozó és a légzőcső megfelel az EN 14594 szabvány magasabb szilárdsági (B) követelményeinek. Minden olyan sűrített levegős tömlővel együtt használhatók, amelyek mind az alacsonyabb, mind a magasabb szilárdsági követelményeknek megfelelnek (A és B). További információért kérjük olvassa el a Felszerelések jelölése című részt.

Üzemeltetési feltételek

-0 és +40°C hőmérséklettartomány között, továbbá <90 % páratartalom

Bemeneti nyomás

Nyomástartomány: 3,0 - 7,0 bar

Maximális üzemi nyomás: 10 bar

Kimeneti áramlás jellemzői:

Gyártó legkisebb tervezési térfogatárama (MMDF) 120 l/min

Maximális légáram (5-7 bar): >310 l/min

Maximális légáram (3-5 bar): 200-310 l/min

Maximális használatra vonatkozó korlátozások

Félálarcok nyomólevegős üzemmódban: maximum 50 x EH

Teljesálarcok nyomólevegős üzemmódban: maximum 200 x EH

Szétcsatlakoztatás esetén a használat közben megengedett legmagasabb koncentrációról a szűrő vonatkozó használati útmutatójában talál információt. (pl. A1 szűrő használata esetén a legmagasabb koncentráció 50 x EH nyomólevegős módban, de szétcsatlakozás esetén ez csak 10 x EH)

Sűrített levegős tömlő (CAST)

Normál működés az EN 14594 'B'-nek megfelelően.

Maximális hosszúság (légtömlő): 30 méter

A legmagasabb biztonságos üzemi nyomás: 10 bar

MINŐSÍTÉSEK

Ezek a termékek megfelelnek a 89/686/EGK irányelv egyéni védőeszközökre vonatkozó előírásainak, és így CE jelöléssel rendelkeznek.

Az EK típusvizsgálat 10-es cikkelye és az EK Minőségellenőrzés 11-es cikkelye szerinti tanúsítványt kiadta: BSI, Kitemark Court, Davy Avenue, Knowlhill, Milton Keynes, MK5 8PP, Egyesült Királyság (azonosítószám: 0086).



Prosím, prostudujte tento Návod k použití a referenční leták společně s 3M™ celobličevoú maskou nebo 3M™ Návod k použití pro filtry, ve kterých naleznete následující informace:

Schválené kombinace masek a filtrů 3M™

- Náhradní díly
- Příslušenství

⚠ Zvláštní pozornost je třeba věnovat výstražným nápisům, pokud jsou uvedeny.

BALENÍ

Váš 3M™ Systém pro přívod vzduchu S-200+ by měl obsahovat:

- a) Sestava regulátoru (S-212)
- b) Dýchací trubice (S-222)
- c) Opasek
- d) Uzavírací ventil
- e) Kontrola průtoku zařízení (FCB-01)

POPIS SYSTÉMU

3M™ Systém S-200+ je vyvinut tak, aby byl používán ve schválené kombinaci s 3M™ celobličevoú maskou (viz. Referenční leták).

Tento výrobek splňuje požadavky normy EN14594 (Zařízení pro ochranu dýchacích orgánů – dýchací přístroj s vedením stlačeného vzduchu s kontinuálním průtokem).

Nastavitelná jednotka pro kontrolu vzduchu je určena pro připevnění na pas a je k němu připevněn vnitřní čep a dodatečný port, který lze použít na barevný spray nebo pneumatické nástroje.

Jednotka je navržena a schválena pro Dual režim nebo pro režim pro přívod vzduchu s 3M™ obličejovými díly a filtry ukázanými v referenčním listu.

Duální režim

- V tomto režimu jsou vhodné částicové nebo plynové filtry nasazené do dýchací hadice.
- Přidané filtry poskytnou ochranu v momentě, kdy je přívod vzduchu zastaven (např. při příchodu nebo opuštění z kontaminované oblasti).
- Uživatel musí vybrat filtry, které poskytnou ochranu proti kontaminantům.
- Vždy používejte dva filtry identického typu.
- Životnost páru filtrů se různí podle úrovně kontaminace, pracovního nasazení, době vystavení etc. Filtry by měly být vyměněny v momentě, kdy uživatel ucítí nějaký zápach nebo chuť. Je ale doporučováno měnit filtry pravidelně, ještě před detekcí jakéhokoliv kontaminantu.
- Oba filtry musí být vyměněny, i když není detekován žádný kontaminant, a to během 1 měsíce. Pokud máte jakékoli pochybnosti, filtry raději vyměňte.
- Další instrukce a varování týkající se výběru, použití a výměny filtrů v tomto režimu naleznete v návodu k použití.
- Přebytečný vzduch může procházet filtry, buď při vyšším nastavení regulace nebo při výdechu.
- Přebytečná vlhkost může poškodit filtry.
- **S 3M dýchací hadicí lze používat pouze filtry navržené pro polomasky; jak je v referenčním letáku.**

Režim dodávání vzduchu

- 3M™ Regulátor přiváděného vzduchu S-200+ může být společně s 3M™ obličejovými štíty s bajonety používán v režimu přiváděného vzduchu.
- Přebytečný vzduch může vycházet z ventilů při vyšším nastavení nebo při vydechování.

⚠ VAROVÁNÍ

- **Pro optimální ochranu uživatele před určitými kontaminanty obsaženými v ovzduší je nezbytně nutný správný výběr ochranného prostředku, proškolení uživatele, dodržování pokynů užívání a vhodná údržba produktu. Nedodržení těchto pokynů nebo neodborná manipulace s prostředkem na ochranu dýchacích orgánů, během pobytu uživatele v kontaminovaném prostředí, může mít nežádoucí účinky na zdraví a vést k vážnému onemocnění nebo trvalé invaliditě.**
- Pro správné používání ochranných prostředků se poučte o místních hygienických předpisech, pečlivě prostudujte veškeré dostupné informace nebo kontaktujte zástupce 3M, odborníka na bezpečnost práce (viz. kontaktní údaje).

Přečtěte si všechny návody k použití a uložte je pro případ budoucí potřeby.

Při používání tohoto prostředku na ochranu dýchacích orgánů přísně

dodržujte všechny pokyny:

- - uvedené v tomto materiálu,
 - - dodávané s ostatními díly
 - Nepoužívejte v koncentracích kontaminantu přesahující limity v technických specifikacích.
 - Nepoužívejte na ochranu dýchacích orgánů před neznámými atmosférickými škodlivinami nebo v případě, že koncentrace škodlivin není známá nebo bezprostředně ohrožuje lidský život či zdraví (IDLH - immediately dangerous to life or health).
 - Nepoužívejte v ovzduší obsahujícím méně než 19,5 % kyslíku (definice společnosti 3M; některé země mohou mít vlastní definice nedostatku kyslíku; pokud si nejste jisti, vyhledejte odbornou pomoc).
 - Používejte pouze v kombinaci s obličejovými částmi, filtry, náhradními díly a doplňky, které jsou vypsány v technickém listu.
 - Výrobek může používat pouze proškolený kompetentní uživatel.
 - Okamžitě opusťte znečištěný prostor, jestliže:
 - a) dojde k poškození kterékoliv části prostředku.
 - b) snížilo se proudění vzduchu do masky nebo se úplně zastavilo.
 - c) Dýchání se stane obtížným.
 - d) objeví se malátnost nebo jiná forma podráždění.
 - e) začnete vnímat chuť nebo pach škodlivé látky nebo dojde k jiné formě podráždění.
 - Nikdy nemodifikujte ani neprovazujte tento výrobek. Používejte pouze originální náhradní díly 3M.
 - Nepoužívejte kyslík nebo vzduch obohacený kyslíkem.
 - Pokud zamýšlíte prostředek používat ve výbušném prostředí, kontaktujte technický servis 3M.
 - Během používání při teplotách nižších než +4°C by měl být kontrolován obsah vlhkosti dýchaného vzduchu, protože hrozí zamrznutí přístroje.
 - Vždy se ujistěte, že:
 - znáte zdroj přívodu vzduchu;
 - znáte čistotu přívodu vzduchu;
 - přívod vzduchu je vhodný k dýchání, pro EN12021.
 - Ujistěte se, že kapacita systému s přívodem vzduchu je dostatečná pro každého uživatele, který je na něj napojen.
 - Pokud používáte vzduchové příslušenství přes pomocný port, vždy se ujistěte, že alespoň minimální podmínky jsou splněny, pokud příslušenství využije maximální přívod vzduchu.
- Minimální tlak požadovaný při používání přetlakového systému je 4,5 Bar. Pro více informací o Přetlakovém systému kontaktujte 3M.
- **Když používáte tento produkt je schopný vytvářet nadměrný hluk. Ochrana sluchu by měla být vhodně zvolena.**
 - Při vysokém pracovním výkonu může být vnitřní tlak při homím mezím nadechování v obličejové části negativní.
 - Tento výrobek by měl být používán pouze v takových pracovních situacích, kdy je nebezpečí poškození trubice pro přívod stlačeného vzduchu nízké a pohyby nositele jsou omezené. Přívod stlačeného vzduchu by měl být vybaven vhodně dimenzovaným a nastaveným pojistným přetlakovým ventilem.
 - Regulátor je přichycen s bezpečnostními rychlospojky. Budte opatrní při odpojování dýchací hadice a přetlakové hadice. Vždy se ujistěte že bezpečnostní rychlospojky jsou připojeny společně. Dýchací hadice je označena S-222 a spojky na regulátoru jsou označeny "S", což znamená, že mají dvojité bezpečnostní jištění pro použití.
 - Tyto jednotky nejsou určeny k použití s mobilními systémy se stlačeným vzduchem
 - Pokud zaznamenáte únik vzduchu při používání systému, opusťte okamžitě kontaminované prostředí. Nikdy nepoužívejte vlastní část těla k zastavení úniku.
 - Neodstraňujte filtrační kroužky, což by mohlo nenávratně poškodit výkon systému.
- ⚠ Nepoužívejte, máte-li vousy nebo jiný porost na obličeji, který by mohl zamezit těsnému přilnutí mezi obličejem a ochranným prostředkem**
- Systém musí být užíván s filtry, pokud existuje možnost náhodného nasáknutí vody.
 - Pokud by byla jednotka vystavena plamenům, zkontrolujte systém a vyměňte filtry.
 - Materiály, které mohou přijít do styku s pokožkou, u většiny osob nevyvolávají alergické reakce.
 - Tento produkt neobsahuje přírodní gumový latex.

ZNAČENÍ

Pro značení obličejových částí použijte příslušné uživatelské instrukce. S-212 Regulator je označen EN14594 4B a EN14594 3B a s datem výroby. Přetlaková hadice jsou označeny EN14594. Jsou také označovány následovně.

308-00-40P je označeno A - vhodné pro použití se zařízením Třídy A (EN14594).

308-00-72P je označena "Teplu odolná" a "Anti statická"

PŘÍPRAVA K POUŽITÍ

Zkontrolujte, je-li ochranný prostředek kompletní, nepoškozený a správně sestavený. Všechny poškozené nebo nefunkční části je před dalším použitím potřeba nahradit novými originálními díly 3M.

Podstupte zkoušku obličejové části tak, jak je popsáno ve vhodných uživatelských instrukcích.

Ujistěte se, že těsnicí kroužky jsou po použití na svém místě.

Ujistěte se, že příslušný konektor je po použití vsazen správně.

Montáž

1. Připevňte opasek k regulátoru, jak je to vyznačeno na obrázku 1.
2. Upevněte dýchací hadici k regulátoru tak, jak je vyznačeno na obrázku 2.
3. Upevněte dýchací hadici k obličejové části tak, jak je vyznačeno na obrázku 3.

Poznámka: Ujistěte se, že 3M symbol na "Y" části dýchací hadice je směrem nahoru aby bylo zajištěno správné zarovnání hadice.

4. Pokud je systém používán v režimu s přívodem vzduchu, pak připevňte dva ventily k dýchací trubici (viz. obr. 4). Pokud je systém používán v režimu DUAL, pak připevňte vhodné filtry k dýchací trubici (viz. obr. 5).
5. Připojte hadici pro přívod stlačeného vzduchu mezi doplňkovou jednotku pro filtraci vzduchu 3M Aircare a regulátor S-200+ ale zároveň se ujistěte, že tlak v jednotce pro filtraci vzduchu je nastaven podle popisu v sekci "Technické údaje".

6. Před použitím nastavte regulátor ma nejnižší přívod vzduchu a proveďte zkoušku pomocí vzduchového check bagu (viz. obr. 6). Ujistěte se, že, pokud položíte ruku kolem otvoru v sáčku, je zajištěno dostatečné těsnění.

PROVOZNÍ POKYNY

NASAŽOVÁNÍ

1. Upevněte a sepněte si opasek s jednotkou tak, aby seděl pohodlně kolem Vašeho pasu.
2. Přizpůsobte a připevňte obličejovou masku podle vhodných uživatelských instrukcí.
3. Ujistěte se, že alespoň minimální přívod vzduchu do obličejové masky je zajištěn; a přizpůsobte přívod vzduchu Vašemu největšímu pohodlí.

POUŽÍVÁNÍ

Pokud během používání dojde k zástávě nebo zpomalení proudění vzduchu, okamžitě opusťte kontaminované prostředí a zjistěte, co je příčinou.

Dejte pozor, aby se hadice na přívod vzduchu nezamotala okolo cizích předmětů. Pokud by k tomu došlo, okamžitě opusťte kontaminované prostředí a zkontrolujte, zda je přístroj v pořádku.

Užitná životnost výrobku není konstantní veličinou, mění se v závislosti na četnosti a podmínkách používání.

Při každodenním používání se doporučuje výrobek zlikvidovat po přibližně 5 letech provozu, za předpokladu údržby a ukládání výrobku dle níže uvedeného popisu.

Některé extrémní podmínky mohou mít za následek zhoršení stavu i za kratší dobu.

Snímání

Masku ani filtry nesnímejte a přívod vzduchu nevytáhněte před opuštěním kontaminovaného prostoru.

1. Odstraňte masku podle vhodného uživatelského návodu.
2. Odpojte hadici pro přívod vzduchu od regulátoru.
3. Rozepněte pás.

POZNÁMKA

Neodpojujte dýchací trubici z regulátoru, zatímco systém je pod tlakem, protože to povede k uvolnění vysokého tlaku vzduchu

Pokud jste filtrační polomasku používali v prostředí, které ji kontaminovalo látkou vyžadující speciální dekontaminační proceduru, měli byste ji vložit do vhodného obalu, zapečetit ji a držet uzavřenou až do chvíle, kdy bude dekontaminována nebo zlikvidována.

ÚDRŽBA

Údržba, servis a opravy smí provádět pouze řádně vyškolená osoba.

⚠ Použití neschválených náhradních dílů a nepovolené modifikace mohou ohrožovat život uživatelů a anulují platnost záruky.

Tato polomaska je navržena, aby byla třeba její minimální údržba. Pokud jsou některé její části poškozeny, měly by být vyměněny nebo odstraněny. Všechny náhradní části musí být správně připevněny.

CO	KDY
Generální Prohlídka	Před použitím Každý měsíc, není-li používáno pravidelně

Čištění	Po použití
---------	------------

O pravidelných měsíčních prohlídkách by v souladu se zdravotními a bezpečnostními předpisy měly být vedeny záznamy. Tyto záznamy by měly být archivovány po dobu minimálně 5 let.

MOŽNÉ ZÁVADY

Příznaky	Možná příčina	Náprava
Žádný přívod vzduchu	1. Externí přívod vzduchu vypnutý 2. Hadice pro přívod stlačeného vzduchu zablokovaná nebo zachycená 3. Jednotka poškozená	1. Zapněte přívod 2. Zkontrolujte hadici přívodu 3. Vyměňte jednotku
Nízký přívod vzduchu	1. Nízký tlak nebo průtok externího přívodu vzduchu 2. Jednotka pro filtraci vzduchu Aircare zablokovaná (pokud je používána) 3. Jednotka poškozená	1. Zkontrolujte tlak přívodu a průtok 2. Zkontrolujte jednotku Aircare 3. Vyměňte jednotku
Zjištěn zápach	1. Masky je špatně nasazena nebo poškozena 2. Jednotka pro filtraci vzduchu Aircare vyžaduje údržbu (pokud je používána) 3. Externí přívod vzduchu znečištěn	1. Usaďte si znovu masku nebo ji vyměňte 2. Zkontrolujte jednotku Aircare 3. Zkontrolujte kvalitu externího přívodu

INSTRUKCE PRO ČIŠTĚNÍ

Doporučujeme čištění po každém použití.

Očistěte obličejovou masku (kromě filtrů) podle návodu k masce.

Používejte čistou látku navlhčenou slabým roztokem vody a tekuté mýdlo.

Před použitím se ujistěte, že všechny části jsou suché.

Neponožte regulátor do vody.

K čištění výrobku nepoužívejte kompresovaný vzduch.

Na žádnou část nepoužívejte benzín, odmašťovač obsahující chlór (např. trichloretylen), organická rozpouštědla ani brusné čisticí prostředky.

K dezinfekci použijte utěrky, které jsou uvedené v referenčním letáku.

SKLADOVÁNÍ A PŘEPRAVA

Tento výrobek se musí skladovat v dodaném obalu v suchém a čistém prostředí, mimo působení přímého slunečního záření, zdrojů vysokých teplot a výparů benzínu a organických rozpouštědel.

Neskladujte při teplotách mimo uvedené teplotní rozpětí -10°C do +50°C nebo ve vlhkosti nad 90%.

Předpokládáná skladovatelnost při dodržování pokynů výrobce je 5 let od data výroby.

Originální balení je vhodné k přepravě v rámci celého Evropského hospodářského společenství.

TECHNICKÉ SPECIFIKACE

Ochrana dýchacích orgánů

EN14594 Třída 4A/4B když je zkombinováno se schválenou 3M™ Celobličejovou maskou.

EN14594 Třída 3A/3B když je zkombinováno se schválenou3M™ Polomaskou.

Maska a dýchací trubice splňují požadavky na vyšší pevnosti (B) z EN14594. Jsou schváleny pro použití s řadou přívodních hadic stlačeného vzduchu, které splňují požadavky i na nižší a vyšší pevnosti (A a B). Pro více informací viz sekce Značení.

Provozní podmínky

-0 sý +40°C a <90 % vlhkosti

Tlak vzduchu na přívodu

Tlakové rozmezí: 3,0 - 7,0 bar

Maximální tlak: 10 barů

Výstupní průtokové charakteristiky

Minimální výpočtový průtok dle výrobce (MMDF-Manufacturers Minimum Design Flow) 120 l/min

Maximální průtok (5-7): >310 l/min

Maximální průtok (3-5 Bar): 200-310 l/min

Limity použití

Polomaska při režimu dodávání vzduchu: 50 X PEL.

Celoobličejová maska při režimu dodávání vzduchu 200XPEL.

Pokud je odpojen, maximální koncentrace použití bude záviset na hodnotách uvedených v relevantních pokynech k užití (např. pokud jsou filtry P1 připevněny k polomasce, maximální koncentrace k užití bude 50 X PEL v režimu přívodu vzduchu, ale 10 X PEL, pokud je vzduch odpojen).

Vzduchová hadice (CAST)

Standardní povinnost EN 14594 'B'.

Maximální délka (hadice): 30 metrů

Maximální tlak pro bezpečnost při práci: 10 Barů

SCHVÁLENÍ

Tyto produkty splňují základní bezpečnostní požadavky podle směrnice 89/686/EEC (nařízení o osobních ochranných prostředcích) a jsou označeny symbolem CE.

Certifikaci podle článku 10, Typová zkouška ES a článku 11, Řízení kvality ES vydal BSI, Kitemark Court, Davy Avenue, Knowlhill, Milton Keynes, MK5 8PP, UK (Autorizovaný zkušební orgán 0086).

SK

Prosím prečítajte si tento návod na použitie a referenčný leták spolu s príslušným návodom na použitie 3M™ tvárového dielu alebo 3M™ filtra, kde nájdete informácie o:

schválených kombináciách 3M™ tvárových masiek a 3M™ filtrov

- náhradných dieloch
- príslušenstve

▲ Zvýšenú pozornosť venujte upozoreniam, pri ktorých je výstražný symbol.

OBSAH BALENIA

Váš 3M™ regulátor prívodu vzduchu S-200+ by mal obsahovať:

- a) Zostava regulátora (S-212)
- b) Dýchacia trubica (S-222)
- c) Opasok
- d) Prepúšťací ventil
- e) Zariadenie na kontrolu prúdenia (FCB-01)

POPIS SYSTÉMU

3M™ Regulátor prívodu vzduchu S-200+ je navrhnutý na použitie so schváleným 3M™ tvárovým dielom (viď referenčný leták).

Výrobok spĺňa požiadavky normy EN14594 (Zariadenia na ochranu dýchania – hadcový dýchací prístroj na stlačený vzduch s kontinuálnym prietokom vzduchu).

Nastaviteľný regulátor/jednotka na kontrolu prietoku je upevnený na páse a vybavený vstupným konektorom a prídavným výstupným portom s možnosťou pripojiť farbu v spreji alebo nástroje na stlačený vzduch.

Regulátor prívodu vzduchu je navrhnutý a schválený na použitie v duálnom režime alebo v režime s prívodom vzduchu spolu s 3M™ tvárovými dielmi a filtrami, ako je zobrazené v referenčnom letáku.

Duálny režim

- V tomto režime sú do dýchacej hadice vložené vhodné časticové filtre a/alebo filtre voči plynom a výparom.
- Pripojené filtre budú poskytovať ochranu, ak jednotka so stlačeným vzduchom je odpojená alebo ak je odpojený prítok vzduchu (napr. vstup a výstup z kontaminovaných oblastí).
- Používateľ musí zvoliť filtre, ktoré dokážu poskytnúť ochranu proti kontaminantom.
- Vždy musí byť použitá dvojica rovnakých filtrov.
- Skutočná životnosť filtrov sa bude líšiť v závislosti od úrovne kontaminantov, pracovného tempa, doby vystavenia kontaminantom atď. Filtre by mali byť vymenené, keď používateľ začne čuť alebo vôňu kontaminantu. Odporúča sa však pravidelná výmena filtra, bez zacitenia nejakého z kontaminantov.
- Filtre sa musia vymeniť ako pár do 1 mesiaca, aj keď nezacitíme nijaký z kontaminantov. Vždy, keď máte pochybnosti, nahraďte filtre novým párom.
- Ďalšie pokyny a upozornenia týkajúce sa výberu, používania a výmenu filtrov v tomto režime nájdete v návode na použitie filtrov a tvárových dielov.
- Nadbytočný vzduch môže prúdiť von cez filtre pri vyššom nastavení regulátora alebo pri výdychu.
- Prebytočná vlhkosť v prívode vzduchu môže nepriaznivo ovplyvniť životnosť filtra.
- **Iba filtre určené pre polomasky môžu byť použité s 3M dýchacou trubicou, tak ako je to uvedené v referenčnom letáku.**

Režim s prívodom vzduchu

- 3M™ Regulátor prívodu vzduchu 3M™ S-200+ spolu s 3M™ tvárovými dielmi s bajonetovými konektormi, môže byť použitý v režime s prívodom vzduchu, pri použití s externým zdrojom stlačeného vzduchu dýchateľnej kvality.
- Nadbytočný vzduch môže prúdiť von z odľahčovacích ventilov pri vyšších nastaveniach regulátora alebo pri výdychu.

▲ UPOZORNENIE

- Správny výber, školenie, použitie a náležitá údržba sú nevyhnutné pre adekvátnu ochranu používateľa voči škodlivým látkam nachádzajúcim sa v ovzduší. Nerešpektovanie pokynov o správnom používaní prístrojov na ochranu dýchania, respektíve ich nesprávna aplikácia v čase, keď je používateľ vystavený zdraviu škodlivému prostrediu, môže mať nepriaznivý dopad na jeho zdravie, zapríčiniť život ohrozujúce ochorenie, alebo viesť k trvalej invalidite.
- V záujme vhodného a správneho použitia, dodržiavajte miestne

nariadenia, využite všetky dostupné informácie, alebo kontaktujte miestne zastúpenie 3M (Vajnorská 142, 831 04 Bratislava, www.3Moopp.sk, innovation.sk@mmm.com, 02/49 105 211).

Cely návod na použitie si prečítajte a uchovajte pre prípad ďalšej potreby.

Tento systém na ochranu dýchania používajte len v súlade s inštrukciami:

- ktoré sú uvedené v tomto návode na použitie,
- ktoré sa týkajú ostatných súčastí systému na ochranu dýchania.
- Nepoužívajte, ak koncentrácia kontaminantu prekračuje hodnoty uvedené v technickej špecifikácii.
- Nepoužívajte na ochranu dýchania voči neznámych znečisťujúcim látkam, alebo ak je neznáma ich koncentrácia, alebo ak tieto látky bezprostredne ohrozujú život a zdravie (IDLH).
- Nepoužívajte v atmosfére, ktorá obsahuje menej ako 19,5% kyslíka. (Definícia 3M. Jednotlivé krajiny môžu aplikovať vlastné limity na množstvo kyslíka. Ak máte pochybnosti, poraďte sa s bezpečnostným technikom).
- Používajte iba s tvárovými dielmi, filtrami, náhradnými dielmi a príslušenstvom, ktoré sú uvedené v referenčnom letáku a sú v súlade s podmienkami použitia uvedenými v technickej špecifikácii.
- Výrobok môže použiť iba kompetentná osoba so špeciálnym školením.
- Kontaminovanú oblasť ihneď opusťte, ak:
 - a) sa poškodí ktorákoľvek časť výrobku
 - b) sa prívod vzduchu do masky zniži alebo zastaví
 - c) sa sťaží dýchanie
 - d) sa vyskytne pocit nevoľnosti, závrat alebo bolesť
 - e) zacitíte pach alebo chuť kontaminantu, alebo nastane podráždenie
- Výrobok nikdy neupravujte, neprebráajte, ani neopravujte. Diely nahradzajte len originálnymi náhradnými dielmi 3M.
- Nepoužívajte kyslík alebo kyslíkom obohatený vzduch.
- V prípade plánovaného použitia vo výbušnom prostredí, kontaktujte 3M.
- Ak prístroj používate pri teplotách nižších ako +4°C, musíte kontrolovať vlhkosť dýchaného vzduchu, aby sa predišlo zamrznutiu prístroja.
- Vždy sa presvedčte, či:
 - poznáte zdroj dodávaného vzduchu,
 - poznáte čistotu dodávaného vzduchu,
 - dodávaný vzduch je dýchateľný, podľa EN12021.
- Uistite sa, či je kapacita systému dodávajúcего vzduch dostatočná pre všetkých užívateľov k nemu pripojených.
- Ak zamýšľate poháňať vzduchové príslušenstvo cez prídavný port a príslušenstvo spotrebúva maximum požiadavky na prúdenie vzduchu, vždy sa uistite, či sú splnené aspoň minimálne podmienky pre prúdenie vzduchu do tvárového dielu.
- Minimálny požadovaný tlak pri používaní vzduchového nástroja je 4,5 Bar. Pre viac informácií o kompatibilitie vzduchového nástroja, prosím kontaktujte 3M.
- **Tento produkt dokáže pri používaní vytvoriť nadmernú hladinu hluku. Ochrana uší by mala byť sprístupnená podľa požiadaviek.**
- Pri vysokom pracovnom nasadení môže pri nádychu nastať vo vnútri tvárového dielu podtlak.
- Výrobok by ste mali používať iba v pracovných situáciách, v ktorých je riziko poškodenia hadice dodávajúcej stlačený vzduch nízke a pohyb nositeľa obmedzený. Prívod stlačeného vzduchu by mal byť vybavený náležite predpísaným a nastaveným poistným ventilom na znížovanie tlaku.
- Regulátor je vybavený dvojčinnými spojkami. Buďte opatrný pri odčapovaní dýchacej trubice, a trubice prívodu stlačeného vzduchu. Vždy sa uistite, že dvojčinné spojky sa používajú spoločne. Dýchacia trubica je označená S-222 a spojka na regulátore je označená "S", čo znamená, že bezpečnostné dvojčinné kovanie sa používajú.
- Telo regulačné jednotky sa nepoužívajú v kombinácii s mobilnými systémami dodávajúcimi vzduch
- V prípade zistenie akýchkoľvek vzduchových netesností okamžite opusťte kontaminovanú oblasť a v žiadnom prípade sa nepokúšajte zastaviť únik vzduchu časťami tela.
- Neodstraňujte tesniace krúžky, nakoľko by to mohlo nepriaznivo ovplyvniť výkon systému.

▲ Produkt nepoužívajte, ak máte bradu alebo fúzy, ktoré by mohli brániť kontaktu tváre s okrajmi produktu, a tým spôsobiť nedostatočné utesnenie.

- Systém nesmie byť používaný s pripojenými fitrami, ak hrozí možnosť náhodného ponorenia do vody.
- Systém by mal byť skontrolovaný a filtre vymenené, ak bola jednotka alebo filtre vystavené ohňu.
- Pri materiáloch, ktoré sú v priamom kontakte s pokožkou užívateľa, neboli zistené žiadne účinky spôsobujúce alergické reakcie.
- Tento produkt neobsahuje zložky vyrobené z prírodného kaučuku.

ZNAČENIA NA VÝROBKU

Pre označenie na tvárovom diele si pozrite príslušný užívateľský manuál. S-212 Regulator je označený s EN14594 4B a EN14594 3B a s dátumom výroby.

Dýchacie trubice so stlačeným vzduchom sú označené podľa smernice EN14594. Tiež sú označené podľa nasledovných:

308-00-40P je označený ako A - vhodný pre zariadenia s Triedou A (EN14594)

308-00-72P je označený ako "Teplotzdorný" a "Antistatický".

PRÍPRAVA NA POUŽITIE

Skontrolujte prístroj, či je kompletný, či nie je poškodený, či je správne zostavený. Poškodené alebo chýbné časti musia byť nahradené originálnymi 3M náhradnými dielmi ešte pred použitím.

Pred použitím skontrolujte tvárový diel tak, ako je to uvedené v príslušnom návode na použitie.

Pred použitím sa uistite, že tesniace krúžky sú na mieste.

Uistite sa, že pripojka príslušenstva je vhodne nasadená a po použití správne vymenená.

Montáž

1. Pripojte opasok k regulátoru tak, ako je znázomené na Obrázku 1.
2. Pripojte dýchaciu hadicu k regulátoru tak, ako je znázomené na Obrázku 2.
3. Pripojte dýchaciu hadicu k tvárovej časti tak, ako je znázomené na Obrázku 3.

POZNÁMKA: Uistite sa, že symbol 3M na časti "Y" dýchacej trubice smeruje nahor tak, aby sa zabezpečilo správne zarovnanie dýchacej trubice.

4. Ak je systém používaný v režime dodávaného vzduchu, do dýchacej hadice musí byť umiestnený pár prepúšťacích ventilov (Vid' Obrázok 4). Ak je systém používaný v duálnom režime, do dýchacej hadice musí byť umiestnený pár vhodných filtrov (Vid' Obrázok 5).
5. Pripojte hadicu dodávajúcu stlačený vzduch medzi voliteľnú jednotku filtrujúcu vzduch 3M Aircare a regulátor S-200+, aby bol tlak v jednotke filtrujúcej vzduch nastavený podľa časti Technické špecifikácie.
6. Pred použitím nastavte regulátor na najnižší prietok a vykonajte kontrolu prúdenia vzduchu pomocou vrecka na kontrolu prúdenia vzduchu (Vid' obrázok 6). Rukou sa uistite, že je vytvorené dobré tesnenie v okolí otvoru vrecka.

NÁVOD NA OBSLUHU

NASADENIE

1. Upravte a pohodlne si pripnite opasok s prípraveným regulátorom okolo pásu.
2. Upravte a nasadte tvárový diel tak, ako je uvedené v návode na použitie.
3. Zabezpečte aby bolo dosiahnuté aspoň minimálne prúdenie vzduchu do tvárovej dielu a prispôbte prúdenie vzduchu z regulátora pre vaše maximálne pohodlie.

POUŽITIE

Ak sa počas používania zastaví zariadenie dodávajúce vzduch, alebo zníži svoj výkon, okamžite opustite kontaminovaný priestor a preskúmajte príčinu. Hadica na prívod vzduchu sa nesmie ohýbať okolo vyčnievajúcich predmetov. Ak sa tak stane, okamžite opustite kontaminovaný priestor a skontrolujte prístroj, či nie je poškodený.

Skutočná životnosť výrobku sa mení podľa frekvencie a podmienok použitia.

Pri každodennom používaní sa odporúča vymeniť výrobok približne po 5 rokoch používania, za predpokladu, že výrobok je skladovaný a udržiavaný podľa pokynov uvedených nižšie.

Extrémne podmienky môžu spôsobiť, že dôjde k zhoršeniu kvality výrobku v kratšom čase.

PO POUŽITÍ

Pokiaľ sa nachádzate v kontaminovanom prostredí, neskladajte masku, filtre, ani nevyvíjajte prívod vzduchu.

1. Zložte tvárový diel v súlade s príslušnými návodmi na použitie.
2. Odpojte hadicu prívodu stlačeného vzduchu z regulátora.
3. Odopnite regulátor.

POZNÁMKA:

Neodpájajte dýchaciu trubicu z regulátora počas doby ako je pod tlakom, keďže to môže viesť k uvoľneniu stlačeného vzduchu.

Ak bol hlavový diel používaný v prostredí, ktoré spôsobilo jeho kontamináciu substanciou vyžadujúcou špeciálne procesy dekontaminácie, umiestnite výrobok do vhodnej vzduchotesnej nádoby, pokiaľ nie je dekontaminovaný alebo znehodnotený.

ÚDRŽBA

Údržbu, servis a opravy môže vykonať len školená osoba.

⚠ Použitie neschválených súčastí alebo vykonanie neautorizovaných úprav, môže ohroziť život alebo zdravie a zároveň znamená stratu záruky.

Táto maska je navrhnutá pre minimálnu údržbu. Ak je jej akákoľvek súčasť poškodená, mala by byť vyhodnená a nahradená. Všetky náhradné diely musia byť správne nainštalované.

ČO	KEDY
Všeobecná kontrola	Pred použitím Každý mesiac pri nepravidelnom používaní
Čistenie	Po použití

Zápis o údržbe by sa mal kontrolovať každý mesiac v súlade so zásadami bezpečnosti a zdravia. Tento zápis by mal byť uchovaný najmenej 5 rokov.

URČENIE CHYBY

Príznak	Možná príčina	Riešenie
Ziaden prívod vzduchu	1. Externý prívod vzduchu je vypnutý 2. Hadica dodávajúca stlačený vzduch je zablokovaná alebo sa zachytila 3 . Chybná jednotka	1. Zapnite dodávanie 2. Skontrolujte dodávaciu hadicu 3. Vymeňte jednotku
Slabý prívod vzduchu (zlyhala kontrola prívodu vzduchu)	1. Nízky tlak alebo prietok v externom prívode vzduchu 2. Aircare – jednotka filtrujúca vzduch je zablokovaná (ak sa používa) 3 . Chybná jednotka	1. Skontrolujte tlak a prietok v prívode 2. Skontrolujte jednotku Aircare 3. Vymeňte jednotku
Rozpoznanie zápachu	1. Tvárový diel je zle nasadený alebo poškodený. 2. Aircare – jednotka filtrujúca vzduch vyžaduje údržbu (ak sa používa) 3. Kontaminovaný externý prívod vzduchu	1. Skontrolujte nasadenie a tesnenie hlavového dielu alebo vymeňte hlavový diel 2. Skontrolujte jednotku Aircare 3. Skontrolujte kvalitu externého prívodu

POKYNY NA ČISTENIE

Odporúčame produkt po každom použití vyčistiť.

Vyčistite hlavový diel (okrem fitrov) v súlade s pokynmi v návode na použitie hlavového dielu.

Použite čistou utierku navlhčenú v jemnom roztoku mydla a vody.

Pred použitím sa uistite, že mŕtomé časti všetkých komponentov sú suché. Nevkladajte zostavu regulátora do vody.

Nepoužívajte stlačený vzduch na čistenie výrobku.

Na čistenie žiadnej z častí prístroja nepoužívajte benzín, odmasťovacie roztoky chlóru (ako napr. trichlóroetylén), organické rozpúšťadlá alebo brúsne čistiace prípravky.

Dezinfikujte podľa návodu v referenčnom letáku.

SKLADOVANIE A PREPRAVA

Výrobky by sa mali skladovať v baleniach od výrobcu na suchom a čistom mieste mimo zdroja sľučného žiarenia, vysokej teploty, benzínu a výparov z rozpúšťadiel.

Skladujte pri teplote -10°C až $+50^{\circ}\text{C}$, pričom vlhkosť prostredia nesmie prekročiť 90%.

Ak je výrobok skladovaný v súlade s odporúčaniami výrobcu, má očakávanú 5-ročnú životnosť od dátumu výroby.

Na prenos zariadenia v rámci celej Európskej únie je vhodné originálne balenie od výrobcu.

TECHNICKÉ ŠPECIFIKÁCIE

Ochrana dýchania:

EN14594 Trieda 4A/4B keď je skombinovaná so schváleným 3M™ Celotvárovým respirátorom,

EN14594 Trieda 3A/3B keď je skombinovaná so schválenou 3M™ Polomaskou.

Celotvárový respirátor a dýchacie trubicie spĺňajú vyššie silové požiadavky (B) smernice EN14594. Sú schválené na používanie s rôznymi typmi dýchacích trubic so stlačeným vzduchom, ktoré vyhovujú nižším i vyšším požiadavkám (A a B). Pre viac informácií pozrite časť Označenie.

Pracovné podmienky

-0 až $+40^{\circ}\text{C}$ a <90 % vlhkosť

Vstupný tlak

Rozsah tlaku: 3,0 - 7,0 bar

Maximálny tlak: 10 bar

Charakteristika výstupného prietoku vzduchu

Výrobcom uvádzaná minimálna úroveň prívodu vzduchu (MMDF) je 120 l/min

Maximálny prívod (5-7 Bar): >310 l/min

Maximálny prívod (3-5 Bar): 200-310 l/min

Maximálne obmedzenia použitia

Polomaska v režime privádzaného vzduchu: 50 x Najvyšší prípustný expozičný limit

Celotvárová maska v režime privádzaného vzduchu: 200 x Najvyšší prípustný expozičný limit

Pri odpojení bude Maximálna Využitelná Koncentrácia závisieť od úrovne uvedenej v návode na použitie k príslušnému filtru (napr. ak bude filter kategórie A1 nasadený na polomasku, maximálna využitelná koncentrácia bude 50 x NPEL pri použití v režime s dodávaným vzduchom, ale iba 10 x NPEL pri použití bez dodávaného vzduchu.)

Hadica dodávajúca stlačený vzduch (CAST)

Štandardná povinnosť podľa EN14594 "B".

Maximálna dĺžka (CAST): 30 metrov

Maximálny Bezpečný Pracovný Tlak: 10 Bar

SCHVÁLENIA

Výrobky spĺňajú požiadavky nariadenia Európskeho spoločenstva č. 89/686/EEC (Nariadenie o osobných ochranných pracovných prostriedkoch) a majú značenie CE.

Certifikát podľa článku 10 (ES – typová skúška) a článku 11 (ES - kontrola kvality) vydal BSI, Kitemark Court, Davy Avenue, Knowlhill, Milton Keynes, MK5 8PP, UK (autorizovaná skúšobňa č. 0086)



Prosimo, preberite ta navodila in referenčni letak skupaj s primernimi navodili za 3M™ masko ali 3M™ filtri, kjer lahko najdete informacije o: odobrenih kombinacijah 3M™ obraznih mask in 3M™ filtrov.

- nadomestnih delih
- dodatkih

⚠ Bodite posebej pozorni na opozorila, kjer je to nakazano.

ODPAKIRANJE

Vaš 3M™ regulator za dovajanje zraka S-200+ mora vsebovati:

- a) regulator (S-212)
- b) dihalno cev (S-222)
- c) pas
- d) ventile za pretok
- e) Naprava za preverjanje pretoka zraka (FCB-01)

OPIS SISTEMA

3M™ regulator za dovajanje zraka S-200+ je namenjen uporabi skupaj s odobreno 3M™ masko (glejte referenčni letak).

Izdelek ustreza zahtevam EN14594 (Oprema za varovanje dihal - dihalni aparat na stisnjeni zrak s stalnim pretokom).

Nastavljiv regulator se namesti na pas, vključuje tudi vhod za opremo za nanašanje barve ali za pnevmatična orodja.

Regulator za dovod zraka je namenjen in odobren za uporabo z dvojnimi načinom ali načinom dovoda zraka s 3M™ masko in filtri, kot je navedeno v referenčnem letaku.

Dvojni način

- V tem načinu so na dihalne cevi nameščeni filtri za prašne delce in/ali filtri za hlape in pline.
- Priključeni filtri zagotavljajo zaščito, kadar je dovod stisnjenega zraka odklopljen ali, ko priključni dovod zraka ni mogoč (npr. vstop in izhod iz onesnaženih področij).
- Uporabnik mora izbrati ustrezne filtre za zaščito pred delovno onesnaženostjo.
- Vedno morate uporabiti par identičnih filtrov.
- Življenjska doba filtrov se bo spreminjala v odvisnosti od nivoja onesnaževalcev, intenzivnosti dela časa izpostavitve itd. Filtre je potrebno zamenjati, kadar uporabnik zavonja, okusi ali zazna sledove onesnaževalca znotraj maske. Redna menjava filtrov pred zaznavanjem onesnaževalcev je visoko priporočljiva.
- Filtre je potrebno zamenjati v paru tudi, če onesnaženost ni zaznana v roku 1 meseca. Kadarkoli sumite, da so filtri stari, jih zamenjajte.
- Nadaljnja navodila in omejitve pri izbiri in zamenjavi filtrov v tem načinu, boste našli v navodilih, priloženih pri filtri.
- Odvečni zrak lahko potuje skozi filtre pri višjih nastavitvah regulatorja ali pri izdihu.
- Odvečna vlaga pri dovodu zraka lahko škodljivo deluje na življenje filtra.
- **Samo filtre, ki so narejeni za polobrazno masko, lahko uporabite s 3M dihalno cevjo, ki je prikazana na referenčnem letaku.**

Način dovajanja zraka

- 3M™ Regulator dovoda zraka S-200+ skupaj z 3M™ respiratorskim sistemom in bajonetnim priključkom lahko uporabite kot sistem dovoda zraka, z uporabo zunanega čistega komprimiranega zraka.
- Odvečni zrak lahko potuje skozi ventile pri višjih nastavitvah regulatorja ali pri izdihu.

⚠ OPOZORILO

- **Pravilna izbira, usposabljanje, pravilna uporaba in vzdrževanje so bistvenega pomena, da izdelek lahko štiti uporabnika pred določenimi onesnaževalci v zraku. V primeru, da uporabnik ne upošteva vseh navodil o uporabi teh izdelkov za respiratorno zaščito in/ali, da celotnega izdelka ne nosi pravilno skozi ves čas izpostavljenosti, lahko pride do negativnih vplivov na zdravje uporabnika, kar lahko vodi do hude ali smrtno nevarne bolezni ali trajne invalidnosti.**

- Za ustreznost in pravilno uporabo sledite lokalnim predpisom, upoštevajte vse dane informacije ali kontaktirajte varnostnega strokovnjaka ali vaše lokalno 3M predstavništvo (3M (East) AG, Podružnica v Ljubljani, Cesta v Gorice 8, 1000 Ljubljana, tel.: 01 2003 630, faks: 01 2003 666, e-pošta: innovation.si@mmm.com).

Poglejte vsa navodila za uporabo in jih shranite za bodoče reference. Respiratorni sistem uporabljajte strogo v skladu z vseni navodili:

- vsebovana in tej knjižici,
- v kombinaciji z drugimi komponentami tega sistema
- Ne uporabljajte v koncentracijah kontaminantov nad tistimi, ki so specifične v tehničnih specifikacijah.
- Ne uporabljajte respiratorne zaščite pri neznanih zračnih onesnaževalcih ali kadar so koncentracije onesnaževalcev nezneane ali neposredno nevarne za življenje ali zdravje (IDLH).
- Ne uporabljajte v ozračju, ki vsebuje manj kot 19.5% kisika. (3M-ova definicija. Posamezne države lahko uporabljajo svoje mejne vrednosti kisika. Če ste v dvomih, poiščite nasvet).
- Uporaba tega respiratorskega sistema, filtrov, dodatkov na izbimi tabeli mora biti v skladu s tehničnimi specifikacijami.
- V uporabo samo usposobljenemu pristojnemu osebju.
- Takoj zapustite onesnaženo območje, če:
 - a) se poškoduje katerikoli del sistema,
 - b) se zračni tok v respiratorju zmanjša ali ustavi,
 - c) dihanje postane težko,
 - d) se pojavi vrtoglavica ali kakšna druga težava,
 - e) zavohate ali okusite onesnaževalce ali iritacijo,
- Nikoli ne spreminjajte tega izdelka. Dele nadomestite le z originalnimi 3M rezervnimi deli.
- Ne uporabljajte v kisiku ali s kisikom obogatenem zraku.
- V primeru namena uporabe v eksplozivnem ozračju, kontaktirajte 3M tehnično službo.
- Če izdelek uporabljate pri temperaturah, nižjih od +4°C, je treba vsebnost vlage vdihanega zraka nadzirati, da se izognete zamrznitvi aparata.

- Vedno se prepričajte, da:
 - je vir dovajanja zraka znan;
 - je znana čistost dovajanja zraka;
 - je dovajani zrak primeren za vdihavanje, za EN12021.
- Prepričajte se, da je kapaciteta sistema za dovajanje zraka zadostna za vsakega priključenega uporabnika.
- Če je predviden pogon pnevmatskih dodatkov preko pomožnega ventila, se vedno prepričajte, da je v respiratorni del zagotovljen minimalen pretok zraka pri maksimalni obremenitvi pnevmatskih dodatkov.

Minimalen tlak potreben za uporabo zračnega orodja je 4,5 barov. Za več informacij o združljivosti zračnega orodja prosimo kontaktirajte 3M.

- **Ko se izdelek uporablja, lahko povzroča previsoko raven hrupa za ušesa. Zaščita sluha mora biti na voljo ko je zahtevano.**

- Pri zelo intenzivnem delu lahko pritisk postane negativen pri vrhnjih vrednostih pretoka pri vdihu.
- Ta izdelek lahko uporabljate le v delovnih situacijah, kjer je tveganje za poškodbe cevi za dovajanje stisnjenega zraka majhno in kjer je gibanje uporabnika omejeno. Dovajanje stisnjenega zraka mora biti opremljeno z ustreznimi ocenjenimi in prilagojenimi varnostnimi ventili za sproščanje tlaka.

- Regulator je opremljen z dvojnimi varnostnimi delovanjem spojk. Bodite previdni pri izklopu dihalne cevi in cevi za dovajanje stisnjenega zraka. Vedno zagotovite, da se dvojno delovanje spojk uporablja skupaj. Dihalna cev je označena s S-222 in spojka na regulatorju je označena s 'S' kar nakazuje, da se uporablja dvojno varnostno delovanje opreme.

- Te enote niso namenjene uporabi skupaj z mobilnimi sistemi za dovod zraka.
- Če ugotovite kakršno koli uhajanje zraka pri uporabi sistema, takoj zapustite onesnaženo območje in pod nobenim pogojem ne poskušajte zaustaviti uhajanja zraka s katerim koli delom telesa.
- Ne odstranjujte tesnilnih obrobov, ker lahko vpliva na delovanje sistema.

- **⚠ Ne uporabljajte, če nosite brado ali druge dlake na obrazu, ki lahko ovirajo stik med obrazom in izdelkom in tako preprečujejo dobro tesnjenje.**

- Kjer obstaja možnost nenadnega potopa v vodo, se sistem ne sme uporabljati s pritjenimi filtri.
- V primeru, da so enota ali filtri izpostavljeni plamenom, se mora sistem preveriti in filtri zamenjati.
- Materiali, ki so v stiku z uporabnikovo kožo, pri večini posameznikov ne povzročajo alergijskih reakcij.
- Ta izdelek ne vsebuje sestavin iz naravnega kavčuka.

OZNAKE

Oznake maske so navedene v navodilih za uporabo.

S-212 regulator je označen z EN14594 4B in EN14594 3B in z datumom proizvodnje.

Cevi za stisnjen dovod zraka so označene z EN14594. Označene so kot sledi:

308-00-40P je označen z A - primeren za uporabo z napravami razreda A (EN14594).

308-00-72P je označen z 'odporen proti vročini' in 'antistatičen'.

PRIPRAVA ZA UPORABO

Preverite, če je naprava cela, nepoškodovana in pravilno sestavljena.

Kakršni koli poškodovani ali okvarjeni deli se morajo pred ponovno uporabo nadomestiti z originalnimi 3M rezervnimi deli.

Izpolnjujte preverjanja pred uporabo, kot je opisano v navodilih za uporabo.

Pred uporabo se prepričajte, da so tesnilni obroči na svojem mestu.

Prepričajte se, da je dodatni čep pravilno nameščen in pravilno zamenjan po uporabi.

Sestava

1. Namestite pas na regulator, kot je prikazano na sliki 1.
2. Namestite dihalno cev na regulator, kot je prikazano na sliki 2.
3. Namestite dihalno cev na masko, kot je prikazano na sliki 3.

OPOMBA: Preverite, da je 3M znak na "Y" delu dihalne cevi obrnjen navzgor, da zagotovi pravilno prileganje dihalne cevi.

4. Če sistem uporabljate v SUPPLIED AIR MODE, potem morate namestiti par VENTILOV ZA PREKOMEREN TOK na dihalno cev (glejte sliko 4). Če sistem uporabljate v DUAL MODE, potem morate namestiti par USTREZNIH FILTROV na dihalno cev (glejte sliko 5).

5. Cev za dovajanje stisnjene zraka priključite med izbirno enoto za filtracijo zraka 3M Aircare in regulator S-200+ ter zagotovite, da je enota za filtracijo zraka nastavljena tako, kot je opisano v poglavju Tehnična specifikacija.

6. Pred uporabo nastavite regulator na najnižjo nastavitvev za tok in naredite test pretoka s pomočjo vrečke za test (glejte sliko 6). Prepričajte se, da ste z rokami poskrbeli za dobro tesnjenje okoli odprtine vrečke.

OBRATOVALNA NAVODILA

OBLACENJE

1. Prilagodite in zapnite pas, ko je regulator udobno nameščen okoli vašega pasu.
2. Prilagodite in namestite si masko, kot je opisano v navodilih za uporabo.
3. Prepričajte se, da ste dosegli vsaj minimalen tok zraka in ga prilagodite z regulatorjem za maksimalno udobje.

V UPORABI

Če med uporabo pride do prekinitev ali zmanjšanja dovoda zraka, zapustite onesnaženo območje in raziščite razlog.

Bodite pozorni in preprečite, da se dihalna cev ne ovije okoli štrlečih predmetov. Če se to vseeno zgodi, zapustite okuženo območje in preverite, da je naprava nepoškodovana.

Doba uporabljanja izdelka je odvisna od pogostosti in pogojev uporabe. Pri vsakodnevni uporabi priporočamo menjavo izdelka po približno 5 letih sluzenja, če je izdelek pravilno shranjen in vzdrževan, kot je navedeno spodaj.

Nekateri ekstremni pogoji povzročijo poslabšanje v kratkem času.

ODLAGANJE

Ne odstranite obraznega dela in filtrov in ne izklopite dovoda zraka, dokler niste zapustili onesnaženega okolja.

1. Odstranite masko v skladu z navodili za uporabo.
2. Odklopite cev za dovod stisnjene zraka z regulatorja.
3. Odprite pas.

OPOMBA

Ne odklapljajte dihalne cevi od regulatorja, medtem ko je sistem pod pritiskom, saj bo to privedlo do sproščanja zraka pod visokim pritiskom.

Če je bil respirator uporabljen na območju, zaradi katerega je postal kontaminiran s snovjo, ki zahteva poseben dekontaminacijski postopek, bi moral biti nameščen v primerno posodo in zapečaten, dokler ne bo dekontaminiran ali zavržen.

VZDRŽEVANJE

Vzdrževanje, servisiranje in popravila lahko opravlja le ustrezno izučeno osebeje.

⚠ Uporaba neodobrenih delov ali neavtorizirano spreminjanje lahko vodi v ogrožanje življenja ali zdravja in lahko izniči katerokoli jamstvo. Ta respirator zahteva minimalno vzdrževanje. Če je katera od komponent poškodovana, jo zavžite in zamenjajte. Vsi nadomesti deli morajo biti pravilno namešteni.

KAJ	KDAJ
Splošni nadzor	Pred uporabo Mesečno, če ni v redni uporabi

Čiščenje	Po uporabi
----------	------------

Evidenca vzdrževanja se mora preverjati mesečno, da je v skladu z zdravstvenimi in varnostnimi predpisi. To evidenco je treba hraniti najmanj 5 let.

ODKRIVANJE NAPAK

Simptom	Možen vzrok	Ukrep
Ni pretoka zraka	1. Zunanje dovajanje zraka izklopljeno 2. Cev za dovajanje stisnjene zraka blokirana ali ujeta 3. Enota okvarjena	1. Vključite dovajanje 2. Preverite cev za dovajanje 3. Zamenjajte enoto
Slab pretok zraka (neopravljen pregled toka)	1. Nizek tlak zunanjega dovajanja zraka ali pretoka 2. Aircare – enota za filtracijo zraka blokirana (če se uporablja) 3. Enota okvarjena	1. Preverite dovajalni tlak in pretok 2. Preverite enoto Aircare 3. Zamenjajte enoto
Zaznava vonja	1. Masko je slabo nameščena ali poškodovana 2. Aircare – enota za filtracijo zraka zahteva vzdrževanje (če se uporablja) 3. Zunanje dovajanje zraka kontaminirano	1. Ponovno namestite ali zamenjajte masko 2. Preverite enoto Aircare 3. Preverite kakovost zunanjega dovajanja

NAVODILA ZA ČIŠČENJE

Priporočamo čiščenje po vsaki uporabi.

Masko očistite (brez filtrov) v skladu z navodili za uporabo.

Uporabite čisto krpo, navlaženo z blago raztopino vode in navadnega mila.

Pred uporabo mora biti notranja stran vseh komponent suha.

Sestave regulatorja se ne sme potopiti v vodo.

Ne uporabljajte stisnjene zraka za čiščenje izdelka.

Ne uporabljajte bencina, kloriranih razmaščevalnih tekočin (kot je trikloretilen), organskih topil ali abrazivnih čistilnih sredstev za čiščenje kateregakoli dela opreme.

Za dezinfekcijo uporabite krpe, kot je opisano v referenčnem letaku.

SHRANJEVANJE IN PRENAŠANJE

Te izdelke je treba shranjevati v za to predvideno embalažo, v suhem, čistem okolju, stran od neposredne sončne svetlobe, virov visoke temperature, bencina in hlapov iz topil.

Ne shranjujte izven temperaturnega razpona od -10°C do +50°C ali pri vlagi nad 90%.

Če se hrani, kot je navedeno, je pričakovani rok trajanja 5 let od datuma proizvodnje.

Originalna embalaža je primerna za prenašanje izdelka po Evropski uniji.

TEHNIČNE SPECIFIKACIJE

Respiratorna zaščita

EN14594 Razred 4A/4B v kombinaciji z odobreno3M™ celoobrazno masko.

EN14594 Razred 3A/3B v kombinaciji z odobreno3M™ polobrazno masko.

Obrazne maske in dihalne cevi izpolnjujejo zahteve po višji trdnosti (B)

EN14594. So odobreni za uporabo različnih cevi za stisnjen dovod zraka, ki izpolnjujejo zahteve za nižjo kot višjo trdnost (A in B). Za informacije glejte poglavje Označevanje opreme.

Pogoji delovanja

-0 do +40°C in <90 % vlage

Vhodni tlak

Območje tlaka: 3,0 - 7,0 bar

Maksimalni tlak: 10 bar

Lastnosti izhodnega pretoka

Minimalni tok proizvajalca (MMDf) 120 l/min

Maksimalen tok (5-7 barov): >310 l/min

Maksimalen tok (3-5 barov): 200-310 l/min

Maksimalna omejitev uporabe

Polmaska v načinu dovoda zraka: 50 x mejna vrednost.

Celoobrazna maska v načinu dovoda zraka: 200 x mejna vrednost.

Ob izklopu bo koncentracije za maksimalno uporabo odvisna od nivojev, ki so navedeni v ustreznih navodilih za uporabo (npr. ko so A1 filteri nameščeni na polmasko, je maksimum 50 x mejna vrednost v načinu dovajanja zraka, ampak le 10 x mejna vrednost z izklopljenim zrakom).

Cev za dovajanje stisnjenega zraka (CAST)

Standard za EN14594 'B'.

Maksimalna dolžina (CAST): 30 metrov

Maximalen pritisk za varno delo: 10 barov

ODOBRITVE

Ti izdelki so v skladu z zahtevami European Community Directive

89/686/EEC (direktiva o osebni varovalni opremi) in so zato označeni s CE.

Certifikat v skladu z 10. členom, pregled ES in 11. členom, nadzor kakovosti

ES, je izdal BSI, Kitemark Court, Davy Avenue, Knowlhill, Milton Keynes,

MK5 8PP, UK (številka priglašene organa 0086).

אנא קראו את עלון הוראות המידע למשתמש יחד עם ההוראות למשתמש המתאימות ליחידת הפנים 3M או למסגרת ה-3M המתאימות, שם תמצאו מידע אודות: שילובים מאושרים של מסכות ומסננים מתוצרת 3M חלקי חילוף עזרים

⚠ תשומת לב מיוחדת נדרשת לאזהרות השונות היכן שמצויין.

פריקה

- 3M™ וסת האוויר שלכם S-200+ צריך להכיל:
 - (a) וסת (S-212)
 - (b) צינור נשימה (S-222)
 - (c) חגורה
 - (d) שסתומי זרימת יתר
 - (e) מכשיר לבדיקת זרימת האוויר (FCB-01)

תיאור המערכת

3M™ וסת האוויר המוספק S-200+ מיועד לשימוש ביחד עם יחידת הפנים 3M™ המאושרת (ראו עלון מידע). מוצר זה עומד בדרישות התקן EN14594 (התקני הגנה נשימתיים - מכשיר נשימה עם צינור אויר דחוס בזרימה רציפה). יחידת הוסת / בקרת הזרמה המתכוננת מורכבת על המותניים ומותאם לה תקע כניסה ופתח יציאה מסייע, המתאים לחיבור ציוד לריסוס צבע או כלים פניאומטיים. וסת האוויר המוספק מיועד ומאושר לשימוש במצב כפול או במצב אוויר מוספק עם 3M™ חלקי המסכות והמסננים המוצגים בעלון המידע.

מצב דואלי

- במצב זה מרכיבים מסנני חלקיקים ולא גז ואדים על צינורית הנשימה.
- המסננים המצורפים יספקו הגנה כאשר אספקת האוויר הדחוס מנותקת או כאשר חיבור אספקת האוויר אינו אפשרי (למשל, כניסה לאזורים מזוהמים או יציאה מהם).
- על המשתמש לבחור במסננים המסוגלים לספק הגנה כנגד מזוהמים.
- יש להשתמש בצמד מסננים זהים בכל עת.
- אורך החיים האפקטיבי של צמד מסננים משתנה בהתאם לרמת הזיהום, קצב העבודה, זמן החשיפה וכו'. יש להחליף מסננים כאשר בעת השימוש ניתן להבחין בחידור של המזהם לפי הטעם או הריח. עם זאת, מומלץ ביותר להחליף מסנן באופן שוטף לפני שמבחינים במזהם כלשהו.
- יש להחליף מסננים כצמד, אפילו אם לא נמצא אף מזהם, תוך חודש אחד. במידה וקיים ספק ולו הקל ביותר, יש להחליף את המסננים בזוג חדש.
- הוראות נוספות ואזהרות לגבי בחירת, שימוש והחלפת מסננים במצב זה ניתן למצוא בהוראות למשתמש של מסננים ויחידות פנים.
- אוויר עודף עשוי לזרום החוצה דרך המסננים, כאשר הגדרות הוסת גבוהות או במהלך נשיפה.
- לחות יתר באספקת האוויר עלולה להשפיע לרעה על חיי המסן.
- **ניתן להשתמש אך ורק במסננים המיועדים למסכות חצי עם צינורית הנשימה 3M כמודגם בעלון המידע.**

מצב אוויר מוספק:

- במצב אוויר מוספק ניתן להשתמש ב-3M™ וסת האוויר המוספק S-200+ יחד עם יחידת המסכה 3M™ בעלות מחברי ביונט, תוך שימוש במקור יציגו של אוויר דחוס איכותי לנשימה.
- אוויר עודף עשוי לזרום החוצה דרך המסננים, כאשר הגדרות הווסת גבוהות או במהלך נשיפה.

⚠ אזהרה

- בחירה, הכשרה, שימוש ותחזוק נכונים מאפשרים למוצר לסייע בהגנת הלבש מפני זיהומים מזוהמים מסוימים הנשאים באוויר.
- אי מילוי כל ההוראות אודות השימוש במוצרים אלה להגנה על דרכי הנשימה ו/או לבישה לא מתאימה של המוצר השלם במהלך חשיפה עשויים לפגוע בביצועים של המוצר, להוביל לפגיעות חמורות או אנושות או לנכות תמידית.
- להתאמה ולשימוש נכונים יש למלא אחר תקנות מקומיות, לעיין בכל המידע המוספק או לפנות אל מומחה בטוחות/ציג 3M. 3M ישראל מדינת היהודים 91 הרצליה טל - 09-9615000
- עיין בכל ההוראות לשימוש ושומר אותן להתייחסות בהמשך.
- יש להשתמש במערכת הנשימה תוך מילוי קפדני של כל ההוראות:
 - המופיעות בחוברת זו,
 - המלוות מוצרים אחרים של המערכת
 - אין להשתמש בתנאים של ריכוזי מזהמים גבוהים מאלו המצוינים במפרט הטכני.

- אין להשתמש במערכת להגנה על דרכי הנשימה מפני מזוהמים לא ידועים או בריכוזים לא ידועים של מזוהמים או ריכוזים המהווים סכנה מיידית לחיי הלבש או בריאותו (IDLH).
- אין להשתמש במערכת בסביבה שבה ריכוז החמצן נמוך מ-19.5% (הגדרה של 3M). מדינות שונות עשויות להחיל מגבלות משלהן על היעדר חמצן. אם יש לך ספק, ברר).
- יש להשתמש אך ורק עם יחידת הפנים, המסננים, חלקי החילוף והאביזרים המפורטים בעלון המידע ובתנאי השימוש הניתנים במפרט הטכני.

- השימוש במערכת – רק על-ידי צוות מיומן שעבר הכשרה.
- יש לעזוב את האזור המזוהם מיד אם:
 - (a) חלק כלשהו של המערכת נפגם.
 - (b) זרימת האוויר דרך המסכה פוחדת או עוצרת.
 - (c) הנשימה נעשית קשה.
 - (d) מתחילה תחושת סחרחורת או מצוקה אחרת.
 - (e) מופיע ריח או טעם של מזוהמים או מתרחש גירוי רקמות.
- אין לשנות את המוצר. יש להחליף חלקים רק בחלקי חילוף מקוריים של 3M.

- אין להשתמש בחמצן או באוויר מועשר בחמצן.
- אם יש כוונה להשתמש במערכת באטמוספירה נפיצה, יש לפנות אל היצרן הטכני של 3M.

- כאשר השימוש הוא בטמפרטורות מתחת 4+ צלסיוס, יש לשמור על תכולת לחות נמוכה של אוויר הנשימה כדי למנוע מצב בו הוא גורם לקפיאת המכשיר.
- וודא תמיד כי:
 - מקור אספקת האוויר ידוע.
 - נקיון אספקת האוויר ידוע.
 - אספקת האוויר היא באיכות מתאימה לנשימה, על פי התקן EN12021.

- יש לוודא שכמות האוויר במערכת מספיקה לכל אחד מהמשתמשים המחוברים אליה.

- אם מתכוונים להכניס אביזרים פניאומטיים דרך פתחת העזר, יש לוודא תמיד שעומדים בתנאי זרימת מינימום לפחות ליחידת הפנים, כאשר האביזר צורך את דרישות זרימת האוויר המקסימאלית.

- לחץ האוויר המינימלי הנדרש הינו 4.5 בר. למידע נוסף פנה ל-3M.
- **בזמן השימוש המכשיר יכול לייצר רמת רעש גבוהה. לשם כך מומלץ להצטייד בהגנת שמיעה.**

- בקצבי עבודה גבוהים מאוד, הלחץ בתוך יחידת הפנים עלול להפוך לשלילי בשיא זרימת הנשימה.

- יש להשתמש במוצר זה רק במצבי עבודה בהם הסיכון לגרימת נזק לצינור אספקת האוויר הדחוס נמוך ובהם תנועות המשתמש מוגבלות. אספקת האוויר הדחוס חייבת להיות מצוידת בשסתום בטיחות לשחרור הלחץ במפרט הנכון המכונן כהלכה.

- הוסת מגיע עם חבקי ביטחון בעלי פעולה כפולה. היה זהיר בזמן שאהת מנתק את צינור הנשימה וצינור המפוח. וודא תמיד שהחבקים נמצאים בשימוש יחד. צינור הנשימה מסומן S-222 והחבק על הוסת מסומן 'S' לסימון שפעולת הביטחון של החבקים בשימוש.

- אין להשתמש במערכת אלו עם מערכות יחידות של אוויר דחוס.
- אם מזהים דליפת אוויר כלשהי בזמן שהמערכת נמצאת בשימוש, יש לעזוב את האזור המזוהם מיידית וכשום אופן לא לנסות לעצור את הדליפה בעזרת חלק גוף כלשהו.
- אין להסיר את טבעות האטימה מכיוון שפעולה זו עלולה להשפיע לרעה על ביצועי המערכת.

⚠ אין להשתמש במוצר עם זקן או סוג אחר של שיער פנים שעשוי להפריע למגע בין הפנים למוצר ובכך למנוע אטימה הולמת.

- אין להשתמש במערכת עם מסננים המחוברים במקום בו ישנה אפשרות לטבילה מקרית במים.
- יש לבדוק את המערכת ולהחליף את המסננים אם היחידה או המסננים נחשפו ללהבות.
- לפי הידוע, חומרים העשויים לבוא במגע עם עור הלבש אינם יכולים לעורר תגובות אלרגיות אצל רוב האנשים.
- מוצר זה אינו מכיל רכיבים מגוויי טבעי/לנטקס.

סימון

לסימון יחידת פנים אנא ראו הוראות משתמש מתאימות. וסת S-212 מסומן ל-EN14594 4B ו-EN14594 3B וכולל תאריך הייצור. צינורות קוי האוויר מסומנים ל-EN14594. הם גם מסומנים כדלהלן: 308-00-40P מסומן A - מתאים לשימוש עם מכשירים מקבוצה A (EN14594). 308-00-72P מסומן 'עמיד לחום' ואנטי סטטי.

מה	מתי
בדיקה כללית	לפני השימוש.
	פעם בחודש אם לא בשימוש קבוע

ניקוי	לאחר השימוש
יש לשמור תיעוד תחזוקה בשלב הבדיקה החודשית כדי למלא את תקנות הבריאות והבטיחות. יש לשמור את התיעוד במשך חמש שנים לפחות.	
בדיקת כשלים	

תסמין	סיבה אפשרית	תיקון
אין זרימת אוויר	1. אספקת האוויר החיצונית מכובה	1. הפעל את האספקה
	2. צינור אספקת האוויר הדחוס סתום או נלכד	2. בדוק את צינור האספקה
	3. היחידה פגומה	3. החלף את היחידה
זרימת אוויר נמוכה (נכשל בבדיקת זרימה)	1. לחץ נמוך או זרימה נמוכה של אספקת האוויר החיצונית	1. בדוק את לחץ הזרימה
	2. מצב האוויר - יחידת סינון האוויר סתומה (אם מצב האוויר היא בשימוש)	2. בדוק את יחידת הסינון
	3. היחידה פגומה	3. החלף את היחידה

זיהוי ריח	1. יחידת פנומה	1. יש להתאים מחדש הותאמה בצורה גרועה או להחליף את יחידת או ניזוקה הפנים
	2. מצב האוויר - יחידת סינון האוויר דורשת תחזוקה (אם היא בשימוש)	2. בדוק את יחידת מצב האוויר
	3. אספקת האוויר החיצונית מזוהמת	3. בדוק את איכות האספקה החיצונית

הוראות ניקוי

מומלץ לנקות לאחר כל שימוש. נקו את יחידת הפנים (למעט מסננים) בהתאם להוראות המשתמש של יחידת הפנים. השתמש בברד נקי הספוג בתמיסה עדינה של מים וסבון נזלי ביתי. לפני השימוש וודאו שחלקי הפנים של הרכיבים יבשים אין לטבול את מכלול הווסת במים. אין להשתמש באוויר דחוס לניקוי המוצר. אין להשתמש בדלקים, בנזלים מסירי שומנים על בסיס כלור (כגון טריכלוראתילן), בממסים אורגניים או בחומרי ניקוי הגורמים לשריטות לניקוי חלק כלשהו של הציוד. לחיטוי השתמש במטיליות כמפורט בעלון העיון.

אחסון והובלה

יש לאחסן מוצרים באריזה המצורפת במקום נקי ויבש הרחק מאור שמש ישיר, מקורות חום גבוה, דלק ואדים ממסים. אין לאחסן בטמפרטורות שאינן בין -10 עד +50 או עם לחות שמעל 90%. בתנאי אחסנה כמצויין, אורך משוער של חיי המדף למוצר זה הינו 5 שנים מיום הייצור. האריזה המקורית מתאימה להובלת המוצר ברחבי האירופה.

מפרט טכני

הגנה על דרכי הנשימה
EN14594 רמה 4A/4B כאשר משולב עם מסכת פנים מלאה מאושרת של 3M™.

EN14594 רמה 3A/3B כאשר משולב עם מסכת חצי פנים מאושרת של 3M™.

מסכות הפנים וצינורות הנשימה תואמים את החוזק הגבוה הנדרש ב EN14594. הם מאושרים לשימוש עם טווח רחב של צינורות לחץ אוויר דחוס התואמים את הדרישות של חוזק גבוה ונמוך (A ו-B). ראה פרק סימול למידע נוסף.

תנאי הפעלה
0-40°C + ו >90% לחות

לחץ כביסה

טווח לחצים: 3.0 - 7.0 בר

לחץ מירבי: 10 בר

הכנה לשימוש

יש לבדוק שהציוד שלם, לא פגום ומורכב בצורה נכונה. יש להחליף כל חלק פגום בחלקי חילוף מקוריים של 3M לפני השימוש. ערכו בדיקות טרום שימוש של יחידת הפנים כמתואר בהוראות המשתמש המתאימות.

ודאו שטבעות האטימה נמצאות במקומן טרום השימוש.

ודאו שתקע העזר מורכב ומחולף בצורה נכונה לאחר השימוש

הרכבה

1 חברו את החגורה לווסת כמודגם בתמונה 1.

2 חברו את צינורת הנשימה לווסת כמודגם בתמונה 2.

3 חברו את צינורת הנשימה ליחידת הפנים כמודגם בתמונה 3.

שים לב: וודא כי הסימון 3M על חלק 'Y' של צינור הנשימה ממוקם

כלפי מעלה, להבטיח כי הצינור ממוקם בצורה הנכונה.

4 אם רוצים להשתמש במערכת במצב **אוויר מסופק**, אזי יש לחבר זוג

שסתומי זרימת יתר לצינורת הנשימה (ראו תמונה 4). אם רוצים

להשתמש במערכת במצב **דואלי** אזי יש לחבר זוג **מסננים נכונים**

לצינורת הנשימה (ראו תמונה 5).

5. חבר את צינור אספקת האוויר הדחוס בין יחידת סינון האוויר - מצב

האוויר האופציונלי של 3M ווסת S-200+. וודא שלחץ יחידת סינון האוויר

כוונן כמתואר בפרק "מפרטים טכניים".

6 לפני השימוש, יש לכוון את הווסת להגדרת הזרימה הנמוכה ביותר שלו

ולבצע בדיקת זרימת אוויר תוך שימוש בשקית בדיקת אוויר (ראו תמונה

6). יש לוודא שמצורה אטימה טובה באמצעות הנחת היד מסביב לפתח

בשקית.

הוראות הפעלה

לבישה

1 התאימו וחרגו את חגורת המותן עם הווסת מורכב בנחות מסביב

למותניים.

2 כוונן והתאימו את יחידת הפנים כמתואר בהוראות המשתמש

המתאימות.

3. יש לוודא שישנה זרימת אוויר מינימאלית לתוך יחידת הפנים ולהתאים

את זרימת האוויר של הווסת לשם נוחות מרבית.

בעת השימוש

אם במהלך השימוש אספקת האוויר נעצרת או מופחתת, התפנה מיד

מהאזור המזוהם וחקור את הסיבה לכך.

שים לב שצינורת הנשימה לא נכרכת ולא עצמים עצמים בולטים. אם זה קורה,

התפנה מהאזור המזוהם ובדוק אם הציוד נפגע.

אורך חיי המוצר תלוי בתדירות ותנאי השימוש.

בשימוש ימיומי, מומלץ להחליף את המוצר אחרי שימוש של 5 שנים,

בהנחה שהמוצר מאוחסן ומאוזקק לפי ההוראות.

בתנאים קיצוניים יכול המוצר להיהרס אחרי תקופה קצרה.

הסרה

אל תסיר את יחידת הפנים או את המסננים ואל תכבה את אספקת

האוויר אלא אחרי שעצבת את האזור המזוהם.

1. יש להסיר את יחידת הפנים, בהתאם להוראות המשתמש הרלוונטיות.

2. יש לנתק את צינורת אספקת האוויר הדחוס מהווסת.

3. פתח את חגורת המותניים.

הערה

שים לב לא לנתק את צינור הנשימה מהווסת בזמן שהמערכת פעולת

כיוון שזה יגביל לשחרור מהיר של לחץ אוויר גבוה.

אם נעשה שימוש במסכת הנשימה באזור שגורם לה להזדהם עם חומר

הדורש תהליכי טיהור מיוחדים, יש למקם אותה במכל מתאים ואטום

עד לטיהור או לסיילוק.

תחזוקה

על התחזוקה, השירות והתיקון להתבצע על-ידי צוות שעבר הכשרה

בלבד.

⚠ השימוש בחלקים לא מאושרים או שניונים לא מאושרים עשוי לגרום

לסכנת חיים או בריאות ולביטול אחריות כלשהי.

מסכת נשימה זו מיועדת לאחזקה מינימאלית, אם כל רכיב נפגם, יש

להשליכו ולהחליפו. את כל חלקי החילוף יש להתקין בצורה נכונה.

נתוני מתח זרם

M MDF - מתח מינימלי מוצהר הינו 120 I/min

זרימה מירבית (7-5בר): < 310 ל'דקה

זרימה מרבית (5-3בר): 200-310 ל'דקה

הגבלת שימוש מרבי

מסכת חצי מסופקת במצב אוויר: 50 x ערך מגבלת סף.

מסכת פנים מלאה מסופקת במצב אוויר: 200 x ערך מגבלת סף.

במצב מנותק, ריכוז השימוש המרבי יהיה תלוי ברמות המצוטטות בעלון

ההוראות של המסנן הרלוונטי (למשל, כאשר מרכיבים מסננים מסוג A1

למסכת חצי, על ריכוז השימוש המרבי להיות 50 x ערך מגבלת במצב

אוויר מסופק, אך ורק 10 x ערך מגבלת סף עם אוויר מנותק).

צינור אוויר דחוס

'B' EN14594 to Standard duty.

אורך מרבי (צינור): 30 מטרים

לחץ עבודה בטוח מרבי: 10 בר.

אישורים

מוצרים אלה עומדים בדרישות של הנחיות הקהילה האירופית

EEC/89/686 (הנחיות לצידוד הגנה אישי) ולפיכך נושאי אישור CE.

אישור על פי סעיף 10, בדיקת סוג של הקהילה האירופית וסעיף 11,

בקרת איכות של הקהילה האירופית, הוצא על ידי BSI, Kitemark

Court, Davy Avenue, Knowlhill, Milton Keynes, MK5 8PP, UK

((Notified body number 0086).



Palun lugege seda kasutusjuhendit ja soovituslikku infolehte koos sobivate 3M™ maski või 3M™ filtri kasutusjuhenditega, kust leiate informatsiooni järgneva kohta:

3M™ Näomaskide ja 3M™ Filtrite heakskiidetud kombinatsioonid

- Varuosad
- Lisad

⚠ Eriist tähelepanu tuleb pöörata ettenäidatud hoiatusteadele.

LAHTIPAKKIMINE

Teie 3M™ Suruõhuregulaator S-200+ peaks sisaldama:

- a) regulaatorit (S-212)
- b) õhuvoolikut (S-222)
- c) vöörihma
- d) ülerõhuklappe
- e) vooluseadet (FCB-01)

SÜSTEEMI KIRJELDUS

3M™ Suruõhuregulaator S-200+ on mõeldud kasutamiseks koos heakskiidetud 3M™ maskiga (vaadake soovituslikust infolehest).

See toode vastab EN14594 (Hingamiskaitsevahendid - pideva õhuvooluga suruõhu hingamisaparatuurid) nõudmistele.

Reguleeritav regulaator/õhuvooli kontrollseade on vööle kinnitatav ja ühendatav õhusisendi ning lisa väljalaskevõrguga, millele saab ühendada värvipüstoli või teisi pneumootõrjusi.

Suruõhuregulaator on mõeldud ja heakskiidetud kasutamiseks topeltmeetodi või õhuvarususmeetodi koos 3M™ maskide ja filtritega, mis on välja toodud soovituslikus infolehes.

Topeltmeetod

- Selles režiimis on hingamistoriga ühendatud sobivad tolmuosakeste ja/või gaasi- ning aurufiltrid.
- Kinnitatud filtrid tagavad kaitse kui suruõhuga varustamine on välja lülitatud või kui ühendamine õhuvarususüsteemiga ei ole võimalik (nt. saastatud piirkonda sisenemisel või sealt lahkumisel).
- Kasutaja peab valima filtrid, mis tagavad kaitse saasteaine eest.
- Alati peab kasutama samasuguseid filtreid paare.
- Filtripaari kehtivusaeg erineb sõltuvalt saasteaine tasemest, töö intensiivsusest, mõjuajast jne. Filtrid tuleb välja vahetada kui kandja tunnetab saasteaine läbitungimist maitse või lõhna näol. Sellegipoolest on väga soovituslik filtrid regulaarselt välja vahetada, enne kui märkate mistahes saasteainet.
- Mõlemad filtrid tuleb samaaegselt välja vahetada, isegi kui Te ei märka saasteainet, 1 KUU jooksul. Kui kahtlete, vahetage alati filtripaari uute vastu välja.
- Lisainformatsiooni juhendite ja hoiatustega, mis puudutavad filtreid valikut, kasutamist ja väljavahetamist selles režiimis, leiate filtri ja maski kasutusjuhenditest.
- Ligne õhk voolab filtrite kaudu välja kui suruõhuregulaator on rohkem avatud või väljahingamise ajal.
- Ligne niiskus sissehingatavas õhus võib filtri tööga lühendada.
- **3M hingamistoriga võib kasutada ainult neid filtreid, mis on mõeldud poolmaskide jaoks, nagu on välja toodud soovituslikus infolehes.**

Õhuvarususmeetod

- 3M™ Suruõhuregulaatorit S-200+ koos bajonettühendusega 3M™ maskidega saab kasutada õhuvarususrežiimis, kasutades hingamiseks sobiva koostisega suruõhku välisvarustuse kaudu.
- Ligne õhk voolab ülerõhuklapi kaudu välja, kui regulaator on rohkem avatud või väljahingamise ajal.

⚠ HOIATUS

- Korralik valimik, väljaõpe, kasutus ja sobiv säilitamine on hädavajalikud selleks, et toode aitaks kaitsta kandjat teatud õhus levivate saasteainete eest. Kui ei järgita kõiki hingamiskaitse toodete kasutusjuhiseid ja/või kui ei kanta kogu toodet korralikult kogu riskiaja jooksul, võib see kandja tervisele ebasoodsalt mõjuda, viia tõsise või eluohtliku haiguseni või jääva vigastuseni.
- Korrektselt ja sobilikult kasutuseks järgige kohalikke määruseid, jäljelite etteantud informatsiooni või kontakteeurige ohutusprofessionaaliga/3M Eestis.

Tutvu kõigi juhustega püsivaks kasutamiseks ja säilitamiseks.

Kauta seda respiraatori süsteemi rangelt kooskõlas kõigi juhenditega:

- - mis sisalduvad selles brošüüris,

- - mis kaasnevad teiste süsteemi osadega
- Ei sobi kasutamiseks suuremate saasteainete kontsentratsioonide korral kui näidatud tehnilistes andmetes.
- Mitte kasutada hingamiskaitseks tundmatu õhureostusaine vastu, kui reostusaine kontsentratsioon on teadmata või kui see on koheselt ohtlik teie elule ja tervisele. (IDLH)
- Mitte kasutada atmosfääris, mis sisaldab vähem kui 19,5% hapnikku. (3M määratlus. Iseseisvad riigid võivad rakendada oma liimidi hapniku puudumisele. Kahtluse korral küsida nõu).
- Kasutage ainult koos nende maskide, filtrite, varuosade ja lisadega, mis on välja toodud soovituslikus infolehes ja neis kasutustingimustes, mis on kirjas tehniliste andmete all.
- Kasutamiseks ainult koolitatud kompetentsele personalile.
- Lahku viivitamatult saastatud piirkonnast, kui:
 - a) Mõni osa süsteemist saab kahjustada.
 - b) Õhuvoolu respiraatorisse väheneb või peatub.
 - c) Hingamine muutub raskeks.
 - d) Ilmneb peapööritust või muid vaevusi.
 - e) Tunned või maitse saasteainet või ilmneb ärritust.
- Seda toodet ei tohi kunagi muuta ega modifitseerida. Asenda osad ainult originaalsete 3M varuosadega.
- Mitte kasutada hapnikku või hapniku-rikastatud õhku.
- Etteavatsetud kasutamiseks plahvatusohtlik õhusüstik, kontakteeurige 3M Tehnilise Teenindusega.
- Kasutamisel temperatuuride juures alla +4°C, tuleb hingatava õhu niiskussisaldust reguleerida, et aparaat sellest ei külmuks.
- Veenduge alati, et:
 - õhuvaru allikas on teada;
 - õhuvaru puhtus on teada;
 - õhuvaru on hingatava kvaliteediga, EN12021 kohaselt.
- Veenduge, et õhuvarususüsteemi võimsus on piisav kõikidele sellega ühendatud kasutajatele.
- Kui on vaja kasutada suruõhutõrjusi lisaväljundist, veenduge alati, et oleks tagatud vähemalt minimaalne õhuvoolu maski alla, samal ajal kui lisaseadmele on tagatud maksimaalne õhuvool, mida see tarbib.

Minimaalne vajalik surve õhuseadme kasutamisel on 4,5 baari. Lisateabe õhuseadme ühilduvuse kohta, palun võtta ühendust 3M esindusega.

• Selle toote kasutamine tekitab kõivas liigest tütartaset.

Kuulmiskaitsevahendid peavad olema kättesaadavad vajaduse korra.

- Väga intensiivse töö puhul võib rõhk maskis muutuda järsult sissehingamisel negatiivseks.
- Seda toodet tuleks kasutada ainult tööolukordades, kus suruõhutoru kahjustamise risk on madal ja kus kandja liigutused on piiratud. Suruõhuvaru peaks olema varustatud vastavale normile vastava, reguleeritud rõhuvastuse kaitseklapiga.
- Regulaator on varustatud topelt turvakinnitustega. Olge ettevaatlikud hingamistoriga ja suruõhuvooliku lahtühendamisel. Alati veenduge, et topeltkinnitused oleks korraga kasutusel. Hingamistoriga on tähistatud S-222 ja kinnitused regulaatori tähistatud 'S', mis näitavad, et topelt turvaravustused on kasutusel.
- Neid seadmeid ei tohiks kasutada koos mobiilsete suruõhusüsteemidega.
- Kui märkate õhuleket süsteemi kasutamise ajal, lahkuge koheselt saastatud alast ja ärge mitte mingil juhul püüdke õhuleket ühegi kehaosaga takistada.
- Ärge eemaldage tihendeid, kuna see võib mõjutada negatiivselt süsteemi toimimist.

⚠ Märkus: Ärge kasutage respiraatorit, kui Teil on habe või muu karvkate näol, mis takistab naha ja respiraatoriääre vahetut kontakti.

- Süsteemi ei tohiks kasutada koos filtritega kui on oht, et see võib kogemata veega kokku puutuda.
- Kui seade või filtrid puutuvad kokku leekidega, tuleb süsteem üle kontrollida ja filtrid välja vahetada.
- Materjalid, millega kandja nahk võib kokku puutuda ei põhjusta tundaolevalt enamusele inimestest allergilist reaktsiooni.
- See toode ei sisalda ühtki komponenti, mis oleks tehtud naturaalsest kummist lateksist.

MÄRGISTUS

Maski märgistuse kohta leiate informatsiooni vastavast kasutusjuhendist S-212 regulaatori on märgitud EN14594 4B ja EN14594 3B ja tootmiskuupäev.

Suruõhuvoolikud vastavad EN14594 nõuetele. Samuti vastavad järgnevale nõuetele:

308-00-40Pmärgistusega A- sobilik kasutamiseks koos klass A seadmetega (EN14594).

308-00-72P on märgitud 'kuumuskindel' ja 'antistaatiline'.

ETTEVALMISTUS KASUTAMISEKS

Kontrollige, et aparaat on lõpuni valmis, kahjustamata ja korralikult kokku pandud. Kõik kahjustatud või defektseid osad tuleb enne kasutamist asendada originaalsete 3M varuosadega.

Sooritage maskile kasutamise eelnevad testid nagu on välja toodud vastavas kasutusjuhendis.

Veenduge enne kasutamist, et tihendid on paigas.

Veenduge, et abipistik on korrektselt paigaldatud ja peale kasutamist välja vahetatud.

Kinnitamine

1. Kinnitage vöö regulaatori külge, nagu näidatud Joonisel 1.
2. Kinnitage hingamistoru regulaatori külge, nagu näidatud Joonisel 2.
3. Kinnitage hingamistoru maski külge, nagu näidatud Joonisel 3.

MÄRGE: Veenduge, et 3M sümbol hingamistoru 'Y' osal, oleks suunaga ülespoole, et tagada hingamistorus õige läbivus.

4. Kui süsteemi on vaja kasutada ÖHUVARUSTUSMEETODIL, siis TULEB hingamistorule PAIGALDADA ÜLERÕHUKLAPPIDE paar (Vt. Joon. 4). Kui süsteemi on vaja kasutada TOPELMEETODIL, siis TULEB hingamistorule PAIGALDADA ÕIGED FILTRID (Vt. Joon. 5).

5. Ühendage vabalt valitava 3M Aircare - õhufiltreerimiseadme ja S-200+ regulaatori vaheline suruõhutoru, veendudes, et rõhk õhufiltreerimiseadmes on reguleeritud vastavalt peatükis „Tehnilised nõuded“ kirjeldatule.

6. Enne kasutamist reguleerige regulaator madalaima õhuvoolu peale ja viige läbi õhuvoolukontroll, kasutades õhuvoolukontrolli kotti (Vt. Joon. 6). Veenduge, et käsi on tihedalt ümber kotti ära.

TOIMIMISE INSTRUKTSIOONID

SELGA PANEMINE

1. Reguleerige ja kinnitage vöörihm nii, et regulaator istuks mugavalt ümber Teie vöökoha.
2. Reguleerige ja kinnitage mask nagu on välja toodud vastavas kasutusjuhendis.
3. Veenduge, et saavutaksite vähemalt minimaalse õhuvoolu maski ja reguleerige regulaatori õhuvoolu maksimaalse mugavuse saavutamiseks.

KASUTUSEL

Kui kasutamise käigus õhuvoo peatub või väheneb, vabastage saastatud piirkond koheselt ning uurige põhjust.

Hoolitsege selle eest, et hingamistoru ei läheks väljalaulavate esemete ümber sõlme. Kui see peaks juhtuma, vabastage saastatud piirkond ja kontrollige, et aparaat oleks kahjustamata.

Toote kasutusiga sõltub kasutamise tihedusest ja kasutustingimustest.

Igapäevase kasutamise puhul on soovitatav, et toode visataks ära ja asendataks uuega peale umbes 5 aastast kasutamist eeldusel, et toodet on hoostatud ja hooldatud nii, nagu allool märgitud.

Mõned äärmuslikud tingimused võivad põhjustada toote kvaliteedi halvenemist lühema perioodi jooksul.

SELJAST VÕTMINE

Ärge eemaldage maski, filtreid ega lülitage õhuvarustussüsteemi välja enne kui olete saastatud alast lahkunud.

1. Eemaldage mask vastavalt sobivale kasutusjuhendile.
2. Ühendage suruõhutoru regulaatori küljest lahti.
3. Võtke ära vöö.

MÄRGE

Ärge eraldage hingamistoru regulaatorit, ajal kui süsteem on rõhu all, kuna selle tagajärjel vabaneb kõrge õhurõhk.

Kui respiraatorit on kasutatud alal, mis on seda saastanud ainetega, mis nõuavad spetsiaalseid desinfektsiooni protseduure, peaks selle asetama nõuetekohasesse nõusse ja sulgema tihedalt kuni selle saab saasteainest puhastada või ära visata.

SÄILITAMINE

Säilitada, hooldada ja parandada tohib ainult korralikult koolitatud personal.

⚠ Lubamatute või autoriseerimata teiseid kasutamine võib tulemusena ohustada elu või tervist ja võib muuta kehtetuks igasuguse garantii.

See hingamiskaitsevahend vajab minimaalset hooldust. Kui mõni osa saab kahjustada, tuleb see ära visata ja asendada. Kõik vahetatavad osad tuleb korralikult kinnitada.

MIS	MILLAL
Üldine ülevaatus	Enne kasutamist Iga kuu, kui ei kasutata igapäevaselt
Puhastamine	Pärast kasutamist

Säilitamise andmeid peab hoidma igakuiste kontrollimiste etapis, et rahuldada Tervise- ja Ohutusmäärustiku nõudeid. Seda toimikut peab alles hoidma vähemalt 5 aastat.

RIKKEOTSING

Sümptom	Võimalik põhjus	Parandusmeede
Õhuvool puudub	1. Väline õhuvaru väljalülitatud 2. Suruõhutoru ummistunud või sulgunud 3. Defektne seade	1. Lülitage varu sisse 2. Kontrollige varu toru ummistunud või ummistunud või sulgunud 3. Vahetage seade välja
Madal õhuvool (õhuvoolukontroll ebaõnnestub)	1. Madal välise õhuvaru rõhk või voog 2. Aircare – õhufiltreerimiseadme ummistunud (juhul kui kasutusel) 3. Defektne seade	1. Kontrollige varu rõhku ja voogu 2. Kontrollige Aircare seadet 3. Vahetage seade välja
Lõhna ilmumine	1. Mask halvasti kinnitatud või kahjustunud 2. Aircare – õhufiltreerimiseadme vajab hooldust (juhul, kui kasutusel) 3. Välisõhuvaru saastunud	1. Kinnitage mask uuesti või vahetage välja 2. Kontrollige Aircare seadet 3. Kontrollige välisvaru kvaliteeti

PUHASTUSJUHEND

Puhastamine on soovituslik peale iga kasutuskorda.

Puhastage mask (väljaarvatud filtrid) vastavalt maski kasutusjuhendile. Kasutage puhast, mõõdukas vee ja kodus vedelseebi lahuses niisutatud riiet.

Veenduge, et osade sisemused oleksid enne kasutamist kuivad.

Ärge kaske regulaatorit vette.

Ärge kasutage toote puhastamiseks suruõhku.

Ärge kasutage mitte ühegi varustuse osa puhastamiseks bensiini, klooritud rasvavabaks tegevaid vedelikke (nagu trikloroetüleen), orgaanilisi lahusteid või abrasiive puhastavaid vahendeid.

Desinfektsiooniks kasutage lappe, millest on lähemalt juttu Teatmevoldikus.

LADUSTAMINE JA TRANSPORT

Neid tooteid peaks ladustama pakendis kuivadel, puhastel tingimustel, eemal otsesest päikesevalgusest, kõrge temperatuuri allikatest, bensiinist ja lahustavatest ainetest.

Ärge hoistage väljaspool temperatuurivahemikku -10°C kuni +50°C või niiskuses üle 90%.

Ladustamisel ettenähtud viisil on toote eeldatav eluiga 5 aastat alates tootmiskuupäevast.

Originaalpakend on sobiv toote transportimiseks läbi Euroopa Liidu.

TEHNILISED ANDMED

Hingamiskaitse

EN14594 klass 4A/4B kui kasutada koos heaks kiidetud 3M™ täismaskiga.

EN14594 klass 3A/3B kui kasutada koos heaks kiidetud 3M™ poolmaskiga.

Näoosad ja hingamistoru vastavad kõrgeima tegevuse (B) EN14594 nõuetele. Need on kinnitatud kasutamaks koos suruõhuvoolikutega, mis vastavad nii madala kui ka kõrge tegevuse (A ja B) nõuetele. Palun vaadake informatsiooni Tootemärgistused osa alt.

Tõõtingimused

-0 kuni +40°C ja <90 % niiskust

Sisselaske rõhk

Rõhuvahemik: 3,0 - 7,0 baari

Maksimumrõhk: 10 bar

Väljalaskeava õhuvoo omadused

Tootja poolt ettenähtud minimaalne õhuvoo 120 l/min

Maksimaalne õhuvool (5-7 Baari): >310 l/min

Maksimaalne õhuvool (3-5 Baari): 200-310 l/min

Maksimaalsed kasutuspiirangud

Poolmask õhvarustusmeetodil: 50 x Lubatud Piirnorm.

Täismask õhvarustusmeetodil: 200 x Lubatud Piirnorm.

Lahtiühendatuna sõltub maksimaalne kasutuskontsentratsioon tasemetest, millele on viidatud vastavas filtri infolehes (nt. kui A1 filtrid on kinnitatud poolmaski külge, on maksimaalne kasutuskontsentratsioon 50 x Lubatud Piirnorm (LPN) õhvarustusrežiimis, kuid ainult 10 x LPN kui suruõhk on välja lülitatud).

Suruõhuvoolik (Compressed Air Supply Tube, CAST)

Standardlahendus EN14594 'B'

Maksimaalne suruõhuvooliku pikkus: 30 meetrit

Maksimaalne ohutu õhurõhk: 10 Baari

TUNNUSTUSED

Need tooted rahuldavad Euroopa Ühenduse Direktiivi 89/686/EEC (Isikukaitse Seadmete Direktiiv) nõudeid ja on niiviisi CE märgitud.

Sertifikaat vastavalt artiklile 10 – EC tüübihindamine ja artiklile 11 – EC kvaliteedikontroll on välja antud BSI, Kitemark Court, Davy Avenue, Knowlhill, Milton Keynes, MK5 8PP, UK (Teatav rühma number 0086).



Lūdzu izlasiet šī produkta Lietošanas instrukciju un Informatīvo bukletu kopā ar attiecīgu 3M galvasdaļas un/vai filtru lietošanas instrukcijām, kur atrodama šāda informācija:

- Apstiprinātajām 3M™ sejas masku un 3M™ filtru kombinācijām
- Rezerves daļām
- Piederumiem

⚠️ Ipaša uzmanība jāpievērš brīdinājuma paziņojumiem, kur tie ir norādīti.

IZSANOŠANA

Jūsu 3M™ gaisa padeves regulatora S-200+ komplektā jābūt:

S-212 Regulators (a))

S-222 Elpošanas caurule (b))

c) josta

d) gaisa pārplūdes vārsti

FCB-01 Plūsmas mērīšanas ierīce (e))

SISTĒMAS APRAKSTS

3M™ gaisa padeves regulatori S-200+ izstrādāts lietošanai kopā ar 3M™ sejas un galvas aizsargelementiem (sk. informatīvo bukletu).

Šis produkts atbilst standarta EN14594 (Elpošanas orgānu aizsarglīdzekļi – Nepārtrauktas plūsmas saspiegtā gaisa elpošanas aparāti) prasībām.

Regulējamais gaisa plūsmas vadības bloks ir stiprināms pie jostas, kas apliekama ap vidukli, un tas ir aprīkots ar gaisa ieplūdes un palīg-izplūdes portu, kuram var pieslēgt krāsu izsmidzināšanas iekārtu vai pneimatisko instrumentu.

Šis saspiegtā gaisa padeves regulators ir apstiprināts lietošanai 2 režīmos: duālajā vai tikai gaisu padodošajā režīmā kopā ar 3M™ sejas aizsargdaļām un filtriem, kas uzskaitīti informatīvajā bukletā.

Duālais režīms

- Šajā režīmā, elpošanas caurulei tiek piestiprināti atbilstoši daļiņu vai gāzu/vaiku filtri.
- Piestiprinātie filtri nodrošina elpošanas sistēmas aizsardzību laikā, kad saspiegtā gaisa padeve ir atvienota vai nav iespējama (piemēram, ieejot vai izejot no veselībai kaitīgās vides).
- Lietotājam jāizvēlas tādi filtri, kas nodrošina atbilstošu aizsardzības līmeni strādājot veselībai kaitīgajā vidē.
- Vienmēr lietojiet identisku filtru pāri.
- Filtru kalpošanas laiks atkarīgs no vides piesārņojuma līmeņa, darba intensitātes u.c. faktoriem. Filtrus nekavējoties jānomaina, kad lietotājs sāk just kaitīgās vielas garšu vai smaržu, tomēr ļoti ieteicams filtrus nomainīt laicīgi, negaidot brīdi, kad kaitīgā viela ir sajūtama caur filtru.
- Abu filtru nomainīju jāveic ik pēc 1 mēneša neatkarīgi vai kaitīgā viela caur tiem ir jūtama vai vēl nav. Ja rodas šaubas par filtra derīgumu, vienmēr nomainiet esošo ar jaunu filtra pāri.
- Detalizētāka informācija un brīdinājumi par filtru izvēli, lietošanu un nomainīju atrodama filtru un sejas aizsargdaļu lietošanas instrukcijās.
- Gaisa pārpalikumi var izplūst caur filtriem, kā arī pie augstākajiem gaisa padeves regulatora uzstādījumiem vai izelpošanas laikā.
- Liekais mitrums no gaisa padeves var saīsināt filtru kalpošanas laiku.
- **Tikai 3M pusmaskām paredzētie filtri var tikt lietoti kopā ar 3M elpošanas caurulēm, kas uzskaitīti informatīvajā bukletā.**

Saspiegtā gaisa padeves režīms

- 3M™ saspiegtā gaisa padeves regulators S-200+ kopā ar 3M™ sejas aizsargdaļām, kam ir ķīļveida filtru stiprinājumu mehānisms, var tikt lietoti saspiegtā gaisa padeves režīmā, izmantojot ārēju elpošanai piemērotu saspiegtā gaisa padeves avotu.
- Gaisa pārpalikumi var izplūst no gaisa pārplūdes vārstiem pie augstākajiem gaisa padeves regulatora uzstādījumiem vai izelpošanas laikā.

⚠️ BRĪDINĀJUMS

- Ir būtiski izvēlēties piemērotu produktu, veikt apmācību, pareizi lietot un veikt atbilstošu tehnisko apkopi, lai palīdzētu aizsargāt lietotāju no noteiktiem gaisa piesārņojumiem. Neievērojot visas šo elpošanas aizsardzības produktu instrukcijas un/vai nokomplektēta izstrādājuma izmantošana visa piesārņojuma iedarbības laika periodā var nelabvēlīgi ietekmēt lietotāja veselību, radīt nopietnas vai dzīvībai bīstamas slimības vai ilgstošu darba nespēju.
- Piemērota produkta izvēli un pareizu lietošanu veiciet saskaņā ar vietējo likumdošanu, aļsaucieties uz visu saņemto informāciju vai

sazinieties ar darba drošības speciālistu/3M pārstāvi: 3M Latvija SIA, K.Ulmaņa gatve 5, Rīga, LV-1004, Latvija, tālr.:+371 67 066 120.

Lūdzam izlasīt visas lietošanas instrukcijas un saglabāiet tās turpmākai uzziņai.

Lietot šo respiratora sistēmu stingri saskaņā ar visām instrukcijām:

- kuras iekļautas šajā bukletā,
 - kuras iekļautas citu sistēmas komponentu komplektācijā.
 - Nelietot vidē, kur piesārņotā gaisa koncentrācija ir virs Tehniskajā specifikācijā norādītās maksimālās vērtības.
 - Neizmantojot elpošanas aizsardzību pret nezināmiem atmosfēras piesārņojumiem vai gadījumos, kad piesārņojumu koncentrācija ir nezināma, vai pastāv tūlītēja bīstamība dzīvībai vai veselībai (IDLH).
 - Neizmantojot atmosfērās, kur skābekļa daudzums ir mazāks par 19.5% (3M definīcija: atsevišķas valstis var noteikt sev piemērotus ierobežojumus skābekļa deficīta noteikšanai. Jautājiet pēc padoma, ja rodas šaubas).
 - Lietot tikai kopā ar Informatīvajā bukletā un tehniskajā specifikācijā uzskaitītajām sejas aizsargdaļām, filtriem, rezerves daļām un aksesuāriem.
 - Paredzēti tikai apmācīta un kompetenta personāla lietošanai.
 - Nekavējoties dodieties prom no piesārņotās zonas, ja:
 - a) Kādā no sistēmas daļām rodas bojājumi.
 - b) Gaisa plūsma uz sejas daļu samazinās vai apstājas.
 - c) Kļūst apgrūtināši elpot.
 - d) Rodas reibonis vai nespēks.
 - e) Var sajūst piesārņojuma smaržu vai garšu vai notiek kairinājums.
 - Nekad nepārveidojiet šo produktu. Aizvietojiet tā daļas tikai ar oriģinālajām 3M rezerves daļām.
 - Nelietojiet skābekli vai ar skābekli pārsātinātu gaisu.
 - Ja nepieciešams produktu lietot sprādzienbīstamā vidē, sazinieties ar 3M.
 - Izmantojot temperatūrās zem +4°C, jākontrolē elpojamā gaisa mitrums, lai tas neaizsaldētu aprīkojumu.
 - Vienmēr nodrošiniet, ka:
 - a) ir zināms padotā gaisa avots;
 - b) ir zināma padotā gaisa tīrība;
 - c) padotais gaiss atbilst elpojamā gaisa kvalitātei EN12021.
 - Pārliciecinieties vai gaisa padeves sistēma ir pieliekšana katram lietotājam, kas ir pievienots pie tās.
 - Ja paredzēts pie regulatora pieslēgt pneimatisko ierīci caur papild-portu, vienmēr pārliciecinieties, ka vismaz minimālā gaisa plūsma tiek piegādāta uz sejas aizsargmasku, kad pieslēgtā pneimatiskā ierīce strādā ar maksimālu jaudu.
- Minimālais spiediens, lietojot gaisa padeves sistēmu ir 4,5 bāri. Lai iegūtu vairāk informāciju par gaisas sistēmas saderību, sazinieties ar 3M.
- **Ierīce lietošanas laikā ir spējīga radīt paaugstinātu troksni. Dzirdes aizsardzības produktiem ir jābūt pieejamiem.**
 - Pie ļoti lielas noslodzes, spiediens sejas maskas iekšpusē pie maksimālas ielēpas plūsmas var kļūt negatīvs.
 - Šo produktu drīkst izmantot tikai tādas darba situācijās, kad ir mazs saspiegtā gaisa padeves caurules sabojāšanas risks un ir ierobežotas lietotāja kustības. Saspiegtā gaisa padeves caurulei ir jābūt aprīkotas ar atbilstoša nomināla un regulējuma spiediena atbrīvošanas drošības vārstu.
 - Regulators ir aprīkots ar dubultās darbības ātrajiem savienojumiem. Esiet uzmanīgi, kad atvienojiet elpošanas cauruli un saspiegtā gaisa padeves cauruli. Vienmēr pārliciecinieties, ka dubultās darbības ātrie savienojumi tiek lietoti kopā. Elpošanas caurule ir atzīmēta ar S-222 un savienojums uz regulatora ir atzīmēts ar 'S', lai apzīmētu, ka dubultās darbības ātrie savienojumi ir lietoti.
 - Šis vienības nav paredzētas lietošanai ar mobilajām saspiegtā gaisa padeves sistēmām.
 - Ja ierīces izmantošanas laikā konstatējat gaisa noplūdi, nekavējoties atstājiet piesārņoto zonu un nekādā gadījumā nemēģiniet šo noplūdi apturēt ar plaukstu vai kādu citu sava ķermeņa daļu.
 - Nekādā gadījumā nenonēmiem blīvējuma gredzenus, jo tas var negatīvi ietekmēt sistēmas darbību.
- ⚠️ Nelietot uz bārdas vai cita sejas apmatojuma, kas var traucēt respiratora malu pielāgošanu sejai.**
- Nelietojiet sistēmu kopā ar filtriem, ja pastāv iespēja, ka lietošanas laikā tie var nonākt saskarē ar mitrumu.

- Ja sistēma ir bijusi pakļauta liesmām, pirms atkārtotas lietošanas nomainiet filtrus un veiciet sistēmas pārbaudi.
- Materiāli, kuri nonāk saskarsmē ar valkātāja ādu, vairākumam cilvēku neizraisa alerģisku reakciju.
- Šis produkts nesatur dabīgā lateksa sastāvdaļas.

MARKĒJUMS

Lai noskaidrotu sejas aizsargdaļu marķējumus, skatiet attiecīgo produktu lietošanas instrukcijas.

S-212 Regulators ir marķēts ar EN14594 4B un EN14594 3B, un ražošanas datumu.

Saspiesta gaisa padeves caurules ir marķētas atbilstoši EN14594. Papildus ir arī šādi marķējumi:

EN14594 ir marķēts ar A - atbilstošs lietošanai ar A klases ierīcēm (308-00-40P).

308-00-72P ir marķēts ar 'Karstuma izturīgs' un 'Anti statisks'.

SAGATAVOŠANA LIETOŠANAI

Pārbaudiet, vai aparāts ir pilnīgs, nebojāts un pareizi nokomplektēts. Jebkuras bojātas vai nepilnīgas daļas jāaizvieto ar oriģinālajām 3M rezerves daļām pirms lietošanas.

Pirms lietošanas veiciet visas sejas aizsargdaļu pārbaudes, kā tas norādīts to lietošanas instrukcijās.

Pirms lietošanas pārbaudiet vai visi blīvējumi ir tiem paredzētajās vietās.

Pārbaudiet vai aksesuāru pieslēgšanas slēdzis ir uzlikts un noņemts pareizi pēc katras lietošanas reizes.

Salikšana

1. Piestipriniet regulatoru jostai kā tas norādīts Attēlā 1.
 2. Piestipriniet regulatoram elpošanas cauruli kā tas parādīts Attēlā 2.
 3. Piestipriniet elpošanas cauruli sejas aizsargmaskai kā tas parādīts Attēlā 3.
- PIEZĪME: Pārliecinieties, ka 3M simbols uz elpošanas caurules 'Y' daļas ir vērst uz augšpusi, kas nozīmē, ka elpošanas caurule ir pareizi pievienota.**

4. Ja sistēma tiks lietota Saspiesta gaisa padeves režīmā, tad gaisa pārplūdes vārstus ir jāpiestiprina elpošanas caurules galā (sk. Attēls 4). Ja sistēma tiks lietota Duālajā režīmā, tad elpošanas caurules galā jāpiestiprina atbilstošie filtri (sk. Attēls 5).

5. Pievienojiet saspiestā gaisa padeves cauruli papildaprīkojuma 3M Aircare – gaisa filtrēšanas ierīcei un S-200+ regulatoram, nodrošinot, ka spiediens gaisa filtrācijas ierīcē ir noregulēts atbilstoši norādījumiem sadaļā Tehniskās specifikācijas.

6. Pirms lietošanas, regulatoru uzstādi uz viszemāko gaisa plūsmas padeves režīmu un veiciet gaisa plūsmas padeves pārbaudi izmantotaj gaisa padeves pārbaudes maisīnā (sk. Attēls 6). Ar plaukstu cieši piekļaujiet maisīņa galu regulatora gaisa padeves caurumam, lai veiktu gaisa padeves pārbaudi.

EKSPLUATĀCIJAS INSTRUKCIJAS UZVILKŠANA

1. Pielāgojiet un aizsprādzējiet jostu, kam piestiprināts gaisa padeves regulators, ap jūsu vidukli.
2. Uzvelciet un pielāgojiet sejas masku/aizsargu kā tas norādīts attiecīgā produkta lietošanas instrukcijā.
3. Pārliecinieties, ka vismaz minimālā gaisa plūsma tiek novadīta līdz sejas maskai/aizsargam un pielāgojiet regulatora uzstādījumus tā, lai gaisa plūsmas padeve būtu atbilstoša Jūsu elpošanas prasībām.

LIETOŠANA

Ja lietošanas laikā gaisa padeve apstājas vai samazinās, nekavējoties pametiet piesārņoto zonu un noskaidrojiet cēloni.

Parūpējieties, lai elpošanas caurules neveidotu cilpas un neaizķertos aiz citiem objektiem. Ja tas ir noticis, pametiet piesārņoto zonu un pārbaudiet, vai aparāts nav bojāts.

Produkta lietošanas ilgums mainīsies no lietošanas biežuma un nosacījumiem.

Katru dienu lietojot, tiek rekomendēts produktu mainīt pēc aptuveni 5 ekspluatācijas gadiem, ja produkts tiek uzglabāts un ekspluatēts kā norādīts zemāk.

Daži ārkārtēji nosacījumi var veicināt produkta nolietošanos ātrākā laikā periodā.

NOVILKŠANA

Neņemiet sejas daļas respiratoru, filtrus vai neizslēdziet gaisa padevi kamēr jūs neesat atstājis piesārņojuma vietu.

1. Neņemiet sejas masku/ aizsargu saskaņā ar attiecīgā produkta lietošanas instrukciju.

2. Atvienojiet gaisa padeves cauruli no regulatora.

3. Atsprādzējiet siksnu.

IEVĒROJIET

Kamēr sistēmā ir spiediens, neatvienot cauruli no regulatora, jo tādejādi augsta spiediena gaiss var tikt nopludināts.

Ja respirators tika lietots zonā, kas ir piesārņota ar vielu, kurai nepieciešamas īpašas attīrīšanas procedūras, tad tas jāievieto piemērotā konteinerā un jāaizvieto, līdz tas ir attīrīts vai nomainīts.

TEHNISKĀ APKOPE

Tehniskā apkopi, apkalpošanu un remontu var veikt tikai pareizi apmācīts personāls.

⚠ Neatļautu daļu lietošana vai neatļautas modifikācijas, var veicināt draudus dzīvībai vai veselībai un var tikt atzītas par spēkā neesošām jebkuras garantijas.

Šai respiratorai sistēmai ir minimālas apkopes prasības, t.i., ja kāda no šīs sistēmas daļām ir bojāta, tā jānoņem un jānomaina pret jaunu. Pievērsiet uzmanību, lai visas nomainītās daļas tiktu pieliktas pareizi.

KAS	KAD
Vispārēja pārbaude	Pirms lietošanas Ik mēnesi, ja netiek lietots pastāvīgi
Tīrīšana	Pēc lietošanas

Ievērojot veselības un drošības noteikumus, jāveic ierakstus par ikmēneša apkopes veikšanu tehniskās apkopes žurnālā. Šis žurnāls jā saglabā ne mazāk par 5 gadiem.

KLŪMES ATRAŠANA

Simptoms	Iespējamais cēlonis	Risinājums
Nav gaisa plūsmas	1. Izslēgta ārējā gaisa padeve 2. Saspiestā gaisa padeves caurule bloķēta vai saspiesta 3. Bojāta ierīce	1. Ieslēdziet gaisa padevi 2. Pārbaudiet padeves cauruli bloķēta cauruli vai saspiesta cauruli 3. Mainiet ierīci
Zema gaisa plūsma (gaisa padeves pārbaude)	1. Vājš ārējā gaisa padeves spiediens vai plūsma 2. Aircare – gaisa filtrēšanas ierīce bloķēta (ja tā tiek izmantota) 3. Bojāta ierīce	1. Pārbaudiet gaisa padeves spiedienu un plūsmu 2. Pārbaudiet Aircare ierīci 3. Mainiet ierīci

Noteikta smaka	1. Sejas maska nepareizi uzlikta vai bojāta 2. Aircare – gaisa filtrēšanas ierīcei jāveic apkope (ja tā tiek izmantota) 3. Piesārņots ārējās padeves gaiss	1. Neņemiet un uzlieciet sejas masku vēlreiz vai nomainiet pret jaunu 2. Pārbaudiet Aircare ierīci 3. Pārbaudiet ārējās padeves gaisa kvalitāti
----------------	--	---

TĪRĪŠANAS INSTRUKCIJAS

Tīrīšana tiek rekomendēta pēc katras lietošanas.

Sejas aizsargmaskas (bez filtriem) tīrīšanu veiciet saskaņā ar norādījumiem tās lietošanas instrukcijā.

Izmantojiet tīru drānu, samitrinātu vieglā ūdens un šķidro ziepju šķīdumā.

Pirms lietošanas pārliecinieties, ka visas sistēmas daļas gan no ārpuses, gan iekšpusē ir pilnīgi sausas.

Nemērciet gaisa padeves regulatora sistēmu ūdenī.

Nelietojiet regulatora sistēmas tīrīšanai saspiesta gaisa plūsmu.

Nelietot benzīnu, hlora saturošus attaukošanas šķīdumus (tādus, kā, trihloroetilēns), organiskos šķīdinātājus vai abrazīvus tīrīšanas līdzekļus aprīkojuma tīrīšanai.

Lai dezinficētu, lietojiet salvetes kā norādīts informatīvajās lapās.

Uzglabāšana un transportēšana

Produkts iepakojumā jāuzglabā sausā un tīrā vietā, kas nav tiešos saules staros, nav kāda karstuma avota, benzīna un šķīdinātāju tvaiku tuvumā. Uzglabāšanas temperatūras diapazons ir no -10°C līdz +50°C, kur mitruma līmenis nepārsniedz 90%.

Uzglabājot norādītajos apstākļos, uzglabāšanas laiks ir 5 gadi no ražošanas datuma.

Oriģinālais iepakojums ir piemērots produkta transportēšanai pa Eiropas Savienību.

TEHNISKĀ SPECIFIKĀCIJA

Elpošanas aizsardzība

3M™ klase 4A/4B, kad tiek kombinēts ar apstiprinātu EN14594 pilno sejas masku.

3M™ klase 3A/3B, kad tiek kombinēts ar apstiprinātu EN14594 pusmasku.

Sejas maskas un elpošanas caurules atbilst augstākajām izturības (B) prasībām atbilstoši EN14594. Tie ir apstiprināti lietošanai kopā ar saspiesta gaisa caurulēm, kas atbilst gan zemākajiem, gan augstākajiem (A un B) izturības standartiem. Skatīt marķējuma sadaļu, lai iegūtu vairāk informāciju.

Darba nosacījumi

-0 līdz +40°C un <90 % mitrums

Iepūdes spiediens

Spiediena diapazons: 3,0 - 7,0 bāri

Maksimālais spiediens: 10 bāri

Ārējās plūsmas raksturojums

Ražotāja minimālā plānotā plūsma (MMDF) 120 l/min

Maksimālā plūsma (5-7 bāri): >310 l/min

Maksimālā plūsma (3-5 bāri): 200-310 l/min

Maksimālās lietošanas ierobežojums

Pusmaskai gaisa padeves režīmā: 50 x AER

Pilnas sejas maskai gaisa padeves režīmā: 200 x AER

Kad gaisa padeve atvienota, gaisa plūsmas stiprums atkarīgs no izmantoto filtru gaisa caurlaidības, kas norādīta to lietošanas instrukcijās (piemēram, A1 gāzu/tvaiku filtriem, kas pievienoti pusmaskai saspiesta gaisa padeves režīmā tā ir 50 x AER, bet, kad gaisa padeve atslēgta 10 x AER).

Saspiebtā gaisa padeves caurule (CAST)

Standarta noslodze EN14594 'B'.

Maksimālais garums (CAST): 30 metri

Maksimālais spiediens drošam darbam: 10 bāri

APSTIPRINĀJUMI

Sertificēti atbilstoši ES direktīvas 89/686/EEC prasībām un marķēti ar CE marķējuma zīmi.

Setifikāciju saskaņā ar 10. punktu, EC tipa pārbaude, un 11. punktu, EC kvalitātes kontrole, veicis BSI, Kitemark Court, Davy Avenue, Knowlhill, Milton Keynes, MK5 8PP, UK (autorizētās institūcijas kods: 0086).

LT

Prašome perskaityti šias Naudojimo instrukcijas ir Informacinį lapelį kartu su atitinkamų 3M™ Puskaukių ir visą veidą dengiančių kaukių arba 3M™ Filtrų Naudojimo instrukcijomis, kuriose rasite informacijos apie:

- Patvirtintas 3M™ Puskaukių ir visą veidą dengiančių kaukių ir 3M™ Filtrų kombinacijas
 - Atsarginės dalis
 - Papildomas dalis
- ⚠ **Ypatingas dėmesys turi būti atkreiptas į išpėjimus apie pavojus.**

SUDEDAMOSIOS DALYS

3M™ S-200+ Oro tiekimo regulatoriaus pakuotėje turi būti:

- a) Regulatorius (S-212)
- b) Kvėpavimo žarna (S-222)
- c) Diržas
- d) Oro pertekliaus vožtuvas
- e) Srauto matavimo įrenginys (FCB-01)

SISTEMOS APRAŠYMAS

3M™ S-200+ Tiekiamo oro srauto regulatorius skirtas naudoti kartu su viena iš patvirtintų 3M™ Puskaukių ar visą veidą dengiančių kaukių (žr. informacinį lapelį).

Šis gaminytis atitinka EN14594 standarto (Kvėpavimo takų apsauginės priemonės - Nenutrūkstamo tiekimo suspausto oro kvėpavimo aparatai) reikalavimus.

Tiekiamo oro srauto regulatorius yra tvirtinamas prie juosmens; jame yra įmontuotas įvesties kištukas ir pagalbinė išėjimo anga, prie kurios galima prijungti dažų pūrkimo įrangą arba pneumatinius įrankius.

Tiekiamo oro srauto regulatorius yra sukurtas ir patvirtintas naudoti dvigubuo režimu arba oro tiekimo režimu kartu su 3M™ Puskaukių ir visą veidą dengiančių kaukių ir filtrais, nurodytais informaciniame lapelyje.

Dvigubas režimas

- Naudojant šiuo režimu prie kvėpavimo žarnos yra pritvirtinami atitinkami dalelių ir (arba) dujų ir garų filtrai.
 - Pritvirtinti filtrai suteikia apsaugą, kai yra nutraukiamas suspausto oro tiekimas arba kai oro tiekimo jungtis nėra įmanoma (pvz., įeinant ar išeinant iš užterštos aplinkos).
 - Naudotojas turi pasirinkti filtrus, tinkančius apsaugai nuo konkrečių teršalų.
 - Visada turi būti naudojama identišku filtrų pora.
 - Filtrų veiksmingumo laikas skiriasi priklausomai nuo teršalų lygio, darbo intensyvumo, poveikio laiko ir pan. Filtrai turi būti pakeisti, kai naudotojas pajaučia teršalų skonį ir kvapą. Rekomenduojama filtrus keisti reguliariai, dar neatsiradus teršalų prasiskverbimo požymių.
 - Filtrų pora turi būti pakeista PO 1 mėnesio, kai buvo pradėta naudoti, net jei neaptinkama teršalų. Jeigu turite abejonių, visada pakeiskite filtrus naują pora.
 - Filtrų ir veido kaukių naudojimo instrukcijose yra pateikti šiuo režimu naudojamų filtrų pasirinkimo, naudojimo ir keitimo nurodymai ir išpėjimai.
 - Esant per aukštiesiems regulatoriaus parametru nustatymams arba iškvėpimo metu oro perteklius gali išeiti per filtrus.
 - Oro tiekimo metu susidaranti perteklinė drėgmė gali neigiamai paveikti filtro veiksmingumo laiką.
 - **Su 3M kvėpavimo žarna gali būti naudojami tik puskaukėms skirti filtrai, kaip nurodyta informaciniame lapelyje.**
- Oro tiekimo režimas**
- 3M™ S-200+ Tiekiamo oro srauto regulatorius kartu su 3M™ Puskaukėmis ir visą veidą dengiančiomis kaukėmis su bayonet jungtimis gali būti naudojamas oro tiekimo režimu, naudojant kvėpavimui tinkamą suspausto oro išorinį tiekimo šaltinį.
 - Esant per aukštiesiems regulatoriaus parametru nustatymams arba iškvėpimo metu oro perteklius gali išeiti per oro pertekliaus vožtuvus.

⚠ IŠPĖJIMAS

- Tinkamas pasirinkimas, apmokymas, naudojimas ir atitinkama priežiūra yra labai svarbūs veiksniai, siekiant, kad produktas apsaugotų naudotoją nuo tam tikrų ore esančių teršalų. Jeigu nesilaikoma visų šių kvėpavimo takų apsaugos priemonių naudojimo instrukcijų ir / arba jeigu priemonės naudojamos netinkamai buvimo užterštoje vietoje metu, tai gali nepalankiai paveikti naudotojo sveikatą, sąlygoti rimtą ar gyvybei pavojingą ligą arba nuolatinę negalią.
- Informacijos apie tinkamumą ir teisingą naudojimą ieškokite vietinėse

taisyklėse. Perskaitykite visą pateiktą informaciją arba kreipkitės į saugos specialistus/ 3M atstovą (žr. kontaktinius duomenis).

Žr. visas naudojimo instrukcijas, kurias patartina išsaugoti.

Šią respiratorinę sistemą naudokite greitai laikydamiesi visų instrukcijų:

- nurodytų šiame buklete;
 - pateikiamų su kitomis sistemomis dalimis.
 - Nenaudokite didesnės teršalų koncentracijose nei nurodyta Techninėse specifikacijose.
 - Nenaudokite kvėpavimo takų apsaugai, jeigu nežinote, kokiomis medžiagomis užterštas oras arba jeigu nežinoma taršos koncentracija, jeigu aplinka klasifikuota kaip keliantį tiesioginį pavojų gyvybei ar sveikatai (Immediately dangerous to life or health – IDHL).
 - Nenaudokite, jeigu ore yra mažiau nei 19,5 % deguonies (3M apibrėžtis. Skirtingos šalys gali taikyti skirtingas deguonies trūkumo ribines vertes. Jei abejojate, pasitarkite su atitinkamomis įstaigomis ir institucijomis.)
 - Naudokite tik su veido kaukėmis, filtrais, atsarginėmis dalimis ir priedais, nurodytais Informaciniame lapelyje, laikydamiesi naudojimo sąlygų, nurodytų Techninėse specifikacijose.
 - Produktus gali naudoti tik apmokyti kompetentingi darbuotojai.
 - Nedelsiant išeikite iš užterštos vietos, jeigu:
 - a) Pažeidžiama bet kuri sistemų dalis.
 - b) Sumažėja arba visiškai nutrūksta oro tiekimas į veido kaukę;
 - c) Apsunksta kvėpavimas;
 - d) Pajuntate svaigulį ar kitokį negalavimą;
 - e) Užuodiate arba pajuntate teršalus ar atsiranda sudirginimas;
 - Negalima modifikuoti arba perdirbti šio produkto. Dalis keiskite tik originaliomis 3M atsarginėmis dalimis.
 - Nenaudokite deguonies arba deguonimi prisotinto oro.
 - Jeigu ketinate naudoti produktą sprogoje aplinkoje, kreipkitės į 3M techninį aptarnavimą.
 - Naudojant žemesnėje nei +4°C temperatūroje, drėgmės kiekis įkvėpiamame ore turi būti kontroliuojamas, kad neatvėstų aparatas.
 - Visada įsitinkite, kad:
 - žinomas oro tiekimo šaltinis;
 - žinomas tiekiamo oro švarumas;
 - tiekiamo oro kokybė yra tinkama kvėpuoti, atitinka EN12021 standartą.
 - Įsitinkite, kad oro tiekimo sistemos talpa yra pakankama visiems prie jos prijungtiems naudotojams.
 - Jeigu ketinate prijungti pneumatinius priedus prie papildomos angos, visuomet įsitinkite, kad būtų užtikrintos bent minimalios srauto tiekimo į veido kaukę sąlygos, kai priedas naudoja maksimalų reikalingąją tiekiamo oro kiekį.
- Minimalus oro tiekimo aparato slėgis yra 4,5 baro. Dėl išsamesnės informacijos kreipkitės į 3M atstovą.
- **Naudojantis šiuo aparatu galimas stiprus triukšmo lygis. Klausos apsaugos priemonės yra privalomos.**
 - Esant labai dideliui darbo tempui, slėgis veido kaukės viduje gali tapti neigiamas.
 - Šis įrenginys turi būti naudojamas tik esant tokioms darbo sąlygoms, kai yra nedidelė rizika pažeisti suspausto oro tiekimo žarną ir kai naudotojo judesiai yra apriboti. Tiekiamo oro srauto regulatoriuje turi būti įrengtas tinkamos galios sureguliuotas slėgio mažinimo saugos vožtuvas.
 - Regulatoriuje yra dvejopos paskirties apsauginės jungtys. Atidžiai atjunkite kvėpavimo žarną ir suspausto oro tiekimo žarną. Visada įsitinkite, kad dvejopos paskirties jungtys yra naudojamos kartu. Kvėpavimo žarna yra pažymėta S-222, jungtis ant regulatoriaus yra pažymėta raide "S", nurodant, kad yra naudojamos dvejopos apsauginės jungtys.
 - Šie įrenginiai nėra skirti naudoti su mobiliomis suspausto oro tiekimo sistemomis.
 - Jei naudojimo metu pastebimas oro nuotėkis, nedelsdami išeikite iš užterštos vietos ir jokiū būdu nebandykite sustabdyti nutekėjimo bet kurioje kūno dalyje.
 - Nenuimkite sandarinimo žiedų, nes tai gali neigiamai paveikti sistemos darbą.
- ⚠ **Nenaudokite produkto, jei nešiojate barzdą ar esant kitokiam veido plaukuotumui. Tai gali sumažinti produkto kraštų prisipaudimą prie veido.**
- Sistemos negalima naudoti su pritvirtintais filtrais, jeigu yra atsitiktinio panardinimo vandenįje galimybė.

- Sistema turi būti patikrinta ir pakeisti filtrai, jeigu buvo veikiami liepsnos.
- Nežinoma, kad medžiagos, kurios liečia naudotojo odą, sukeltų alerginę reakciją daugumai naudotojų.
- Šio produkto sudėtyje nėra dalių, pagamintų iš natūralios latekso gumos.

ŽYMĖJIMAS

Veido kaukių žymėjimas yra pateiktas atitinkamose naudojimo instrukcijose. S-212Regulatorius yra pažymėtas EN14594 4B ir EN14594 3B direktyvų numeracijomis bei pagaminimo data.

Oro tiekimo sistemos žarnos yra pažymėtos EN14594 numeracija. Jos taip pat yra pažymėtos:

308-00-40P yra pažymėta raide A - tinkamu naudoti su A klasės įrenginiais (EN14594)

308-00-72P yra pažymėtas kaip "Atsparus karščiui" ir "Antistatinis".

PARUOŠIMAS NAUDOJIMUI

Patikrinkite, ar prietaisas yra pilnai teisingai surinktas ir nepažeistas. Bet kurios pažeistos dalys arba dalys su defektais turi būti pakeistos originaliomis 3M atsarginėmis dalimis prieš naudojant gaminį.

Prieš naudojimą patikrinkite veido kaukę, kaip nurodyta atitinkamose naudojimo instrukcijose.

Prieš naudojimą įsitikinkite, kad yra sandarinimo žiedai.

Įsitikinkite, kad papildomas kištukas yra pritvirtintas ir tinkamai pakeistas po naudojimo.

Surinkimas

1. Pritvirtinkite diržą prie regulatoriaus, kaip parodyta 1 pav.
2. Pritvirtinkite kvėpavimo žarną prie regulatoriaus, kaip parodyta 2 pav.
3. Pritvirtinkite kvėpavimo žarną prie veido kaukės, kaip parodyta 3 pav.

PASTABA: Įsitikinkite, kad 3M simbolis ant kvėpavimo žarnos "Y" dalies yra nukreiptas į viršų.

4. Jeigu sistema bus naujoma ORO TIEKIMO REŽIMU, prie kvėpavimo žarnos TURI BŪTI PRITVIRTINTA pora ORO PERTEKLIŲ VOŽTUŲ (žr. 4 pav.). Jeigu sistema bus naujoma Dvigubų REŽIMU, prie kvėpavimo žarnos TURI BŪTI PRITVIRTINTA pora TINKAMŲ FILTRŲ (žr. 5 pav.).

5. Suspausto oro tiekimo žarna sujunkite pasirinktą 3M Aircare oro filtravimo įrenginį ir S-200+ regulatorių, įsitikindami, kad oro slėgis oro filtravimo įrenginyje būtų nustatytas taip, kaip aprašyta Techninėse specifikacijose.

6. Prieš naudojimą regulatorių nustatykite ties žemiausiu srauto nustatymu ir atlikite oro srauto patikrinimą, naudodami oro srauto patikrinimo maišeli (žr. 6 pav.). Įsitikinkite, kad savo ranka sandariai uždaroite maišelio angą.

VEIKIMO INSTRUKCIJOS

UŽSIDĖJIMAS

1. Patogiai sureguliuokite ir užsekite juosmens diržą su regulatoriumi ant liemens.
2. Sureguliuokite ir užsidėkite veido kaukę, kaip nurodyta atitinkamose naudojimo instrukcijose.
3. Užtikrinkite, kad į veido kaukę būtų tiekiamas bent minimalus oro srautas ir sureguliuokite regulatoriaus oro srautą didžiausiam komfortui užtikrinti.

NAUDOJIMO METU

Jeigu prietaiso naudojimo metu oro tiekimas nutrūksta, nedelsiant išeikite iš užterštos vietos ir išsiaiškinkite priežastį.

Būkite atsargūs, kad kvėpavimo žarna neužkliūtų už išsikišusių objektų. Jeigu taip atsitiko, išeikite iš užterštos vietos ir patikrinkite, ar aparatas nepažeistas.

Produkto tamavimo laikas priklauso nuo jo naudojimo dažnumo ir sąlygų.

Naudojant kasdien ir laikant nustatytomis sąlygomis rekomenduojama gaminį išmesti po maždaug 5 metų.

Laikant neįprastomis sąlygomis gaminio veikimo laikas sutrumpėja.

NUSIĖMIMAS

Nenusimkite veido kaukės ir filtrų bei neišjunkite oro tiekimo įrenginio tol, kol neišeisite iš užterštos vietos.

1. Nusiimkite veido kaukę, kaip nurodyta atitinkamose naudojimo instrukcijose.
2. Atjunkite suspausto oro tiekimo žarną nuo regulatoriaus.
3. Atsekite juosmens diržą.

PASTABA

Neatjunkite kvėpavimo žarnos nuo regulatoriaus, kol sistema tiekia orą, nes tai sukels aukšto slėgio oro gūšį.

Jeigu produktas buvo naudojamas vietoje, kuri užteršta medžiagomis, valomomis specialiomis procedūromis, produktas turi būti įdėtas į specialią talpą. Talpa turi būti sandariai uždaryta, kol galėsite produktą išvalyti arba išmesti.

PRIEŽIŪRA

Priežiūros, techninės apžiūros ir taisymo darbus turi atlikti apmokyti specialistai.

⚠ Nepatvirtintų dalių naudojimas arba neleidžiami pakeitimai gali būti pavojingi sveikatai ar gyvybei ir gali panaikinti visas garantijas.

Šis respiratorius skirtas minimaliai priežiūrai. Jeigu kokios nors dalys yra sugadintos, jos turėtų būti išmestos ir pakeistos. Visos atsarginės dalys turi būti teisingai įdiegtos.

DARBAI DARBŲ ATLIKIMAS

Bendra apžiūra	Prieš naudojimą
	Jei naudojama nereguliariai, kas mėnesį
Valymas	Po naudojimo

Pagal sveikatos ir saugumo reglamentą, kas mėnesį tikrinant gaminį reikia daryti įrašus apie jo priežiūrą. Šie įrašai turėtų būti saugomi mažiausiai 5 metus.

GEDIMAI

Gedimas	Galima priežastis	Veiksmai
Nėra oro srauto	1. Išjungtas išorinis oro tiekimo šaltinis 2. Užblokuota arba užspausta suspausto oro tiekimo žarna 3. Įrenginys sugedo	1. Įjunkite tiekiamą žarną 2. Patikrinkite tiekimo žarną 3. Pakeiskite įrenginį
Silpnas oro srautas (nepavyksta atlikti srauto patikrinimo)	1. Silpnas išorinio oro tiekimo šaltinio slėgis arba srautas 2. Aircare oro filtravimo įrenginys užblokuotas (jei naudojamas) 3. Įrenginys sugedo	1. Patikrinkite tiekiamo oro slėgį ir srautą 2. Patikrinkite Aircare įrenginį 3. Pakeiskite įrenginį
Įtartinas kvapas	1. Veido kaukė blogai pritvirtinta arba sugadinta 2. Reikia atlikti Aircare oro filtravimo įrenginio techninę priežiūrą (jei naudojamas) 3. Užterštas išorinio oro tiekimo šaltinis	1. Veido kaukę pritvirtinkite iš naujo arba pakeiskite ją 2. Patikrinkite Aircare įrenginį 3. Patikrinkite išorinio oro tiekimo šaltinio kokybę

VALYMO INSTRUKCIJOS

Po kiekvieno naudojimo rekomenduojama valyti.

Išvalykite veido kaukę (išskyrus fitrus), kaip nurodyta veido kaukių naudojimo instrukcijose.

Naudokite švarią šluostę, sudrėkintą švelniu vandens ir skysto buitinio muilo tirpalu.

Prieš naudojimą įsitikinkite, kad išorinės dalys yra sausos.

Nemerkite regulatoriaus į vandenį.

Nenaudokite suspausto oro produkto valymui.

Jokiai prietaiso daliai valyti nenaudokite benzino, nuriėbalinčių skysčių su chloru (pavyzdžiui, trichloroetilenas), organinių tirpiklių ar abrazyvinių valomųjų medžiagų.

Dezinfekcijai naudokite šluostes, kaip nurodyta informaciniame lapelyje.

SANDĖLIAVIMAS IR TRANSPORTAVIMAS

Šie produktai turėtų būti sandėliuojami supakuoti, sausoje, švarioje patalpoje, atokiai nuo tiesioginių saulės spindulių, aukštos temperatūros šaltinių, benzino ir tirpiklių garų.

Nelaikykite žemiau -10°C ir virš +50°C temperatūrų ar virš 90% drėgmės ribų.

Laikantis nurodytų sąlygų, numatomas produkto galiojimo terminas yra 5 metai nuo pagaminimo datos.

Originali pakuotė tinkama produkto transportavimui Europos Sąjungoje.

TECHNINĖS SPECIFIKACIJOS

Kvėpavimo takų apsauga

EN14594 klase 4A/4B kai kombinuota su patvirtinta3M™ pilno veido kauke.
EN14594klase 3A/3B kai kombinuota su patvirtinta3M™ pusės veido kauke.

Puskaukės ir visą veidą dengiančios kaukės bei kvėpavimo žarna atitinka aukštesnio lygio (B) EN14594 standarto reikalavimus. Šie produktai yra patvirtinti naudoti su suspausto oro tiekimo žarnomis, kurios atitinka aukštesnio ir žemesnio (A ir B) lygių reikalavimus. Daugiau informacijos rasite Įrangos žymėjimo dalyje.

Veikimo sąlygos

Nuo -0 iki +40°C ir <90 % drėgmė

Įvesties slėgis

Slėgio intervalas: 3,0 - 7,0 barai

Didžiausias slėgis: 10 barų

Išleidimo angos srauto specifikacijos

Gamintojo minimalus sukurtas srautas (MMDF) 120 l/min.

Maksimalus srautas (5-7 barai): >310 l/min.

Maksimalus srautas (3-5 barai): 200-310 l/min.

Maksimalūs naudojimo apribojimai

Puskaukė oro tiekimo režimu: 50 x Neviršytina ribinė vertė.

Visą veidą dengianti kaukė oro tiekimo režimu: 200 x Neviršytina ribinė vertė.

Kai yra atjungtas oro tiekimas, didžiausia naudojimo koncentracija priklauso nuo atitinkamose filtrų instrukcijose kotiruojamų lygių (pvz., kai A1 filtrai yra pritvirtinami prie puskaukės, didžiausia naudojimo koncentracija yra 50 x NRV oro tiekiamo režimu, tačiau tik 10 x NRV, kai oro tiekimas yra atjungtas).

Suspausto oro tiekimo žarna (CAST)

Standartinė žarna pagal EN14594 'B' standartą.

Maksimalus ilgis (suspausto oro tiekimo žarna): 30 metrų

Maksimalus saugus darbinis slėgis: 10 barų.

PATVIRTINIMAI

Šie produktai atitinka Europos Bendrijos direktyvą 89/686/EEB (Asmeninių apsauginių priemonių direktyva) ir yra pažymėti CE ženklu.

Sertifikatą pagal EB tipo tyrimo 10 straipsnį ir EB kokybės kontrolės 11 straipsnį išdavė BSI, Kitemark Court, Davy Avenue, Knowlhill, Milton Keynes, MK5 8PP, JK (Notifikuotosios įstaigos Nr. 0086).

RO

Va rugam sa cititi aceste instructiuni de utilizare si brosură de referinta impreuna cu instructiunile pentru masca de protectie respectiva marca 3M™ sau pentru filtrele 3M™, unde veti regasi informatii asupra:

Combinatiile permise de Masti faciale 3M™ si de Filtre 3M™

• Piese de schimb

• Accesorii

⚠ O atentie deosebita trebuie acordata semnelor de avertizare, acolo unde acestea sunt prezente.

DESPACHETARE

Setul regulatorului dvs 3M™ cu aductie de aer S-200+ ar trebui sa contina:

a) Ansamblul regulatorului (S-212)

b) Tub pentru respiratie (S-222)

c) Cureaua

d) Supapele pentru debit depasit

e) Sistem pentru verificarea fluxului (FCB-01)

DESCRIEREA SISTEMULUI

Regulatorul 3M™ cu aductie de aer S-200+ este conceput pentru a fi utilizat impreuna cu o masca de protectie respiratorie 3M™ aprobata. (A se vedea brosură de referinta).

Acest produs indeplineste cerintele EN14594 (Dispozitive de protectie a respiratiei – Aparat de protectie respiratorie cu aer comprimat in flux continuu).

Unitatea ajustabila de control a debitului de aer a regulatorului se echepeaza in zona taliei si este prevazuta cu o fisă de conectare dar si cu un port extern auxiliar care permite atasarea echipamentelor de pulverizare sau a uneltelor pneumatice.

Regulatorul cu aductie de aer a fost conceput si aprobat in vederea utilizarii in modul dual de functionare sau in modul unic de aductie de aer impreuna cu mastile de protectie respiratorie si filtrele 3M™ ilustrate in cadrul brosurii de referinta.

Modul dual de functionare

- In acest mod de functionare, este necesara echiparea unor filtre corespunzatoare pentru particule si/sau gaze si vapori la tubul de respiratie.
- Filtrele anexate vor asigura protectie utilizatorului in situatiile in care este oprita alimentarea cu aer comprimat sau in situatiile in care conectarea la o sursa de aer comprimat nu este posibila (spre exemplu, in timpul accesului si parasirii spatiilor contaminate).
- Utilizatorul trebuie sa aleaga un model de filtre care sa asigure protectie fata de contaminantul respectiv.
- Trebuie purtate intotdeauna doua filtre identice atasate la masca.
- Durata efectiva de utilizare a perechii de filtre poate varia in functie de nivelul de contaminant, rata de lucru, durata de expunere etc. Filtrele trebuie inlocuite atunci cand utilizatorul detecteaza infiltratii de contaminant fie prin gust, fie ca miros. Se recomanda totusi inlocuirea regulata a filtrelor inainte de detectarea unui eventual agent contaminant.
- Filtrele trebuie inlocuite amandoua chiar daca nu se identifica niciun contaminant IN DECURSUL unei luni de zile. In cazul in care aveti incertitudini, inlocuiti intotdeauna filtrele cu un set nou.
- Puteti regasi detalii si atentionari referitoare la selectarea, utilizarea si inlocuirea filtrelor in cadrul utilizarii acestui mod de functionare in cuprinsul instructiunilor de utilizare ale filtrului si mastii de protectie respiratorie.
- Aerul suplimentar poate iesi prin filtre datorita setarilor impuse regulatorului de aer sau in timpul expirarii aerului in masca.
- Excesul de umezeala al aerului furnizat poate afecta in mod negativ durata de utilizare permisa a filtrelor.
- **Numai filtrele concepute special pentru utilizarea impreuna cu semi-mastile pot fi folosite impreuna cu tubul de respiratie 3M, conform celor ilustrate in brosură de referinta.**

Modul de aductie cu aer

- Regulatorul 3M™ cu aductie de aer S-200+ impreuna cu mastile de protectie respiratorie 3M™ prevazute cu conectori de tip baioneta pot fi utilizate in modul de functionare unic de aductie cu aer, folosind o sursa externa de aer comprimat respirabil.
- Este posibila evacuarea aerului in exces prin supapele de debit depasit ca urmare a setarilor de nivel mai inalt ale regulatorului sau ca urmare a procesului de expiratie.

⚠ ATENTIE

• **Selectarea mastii adecvate, instruirea utilizatorului si intretinerea corespunzatoare a mastii sunt esentiale pentru ca produsul sa contribuie la protejarea utilizatorului impotriva contaminantilor aeropurtati. Nerespectarea instructiunilor referitoare la aceste produse de protectie respiratorie si/sau utilizarea necorespunzatoare a produsului complet, pe parcursul perioadelor intregi de expunere, poate afecta negativ sanatatea utilizatorului, conducand la boli severe sau incurabile, sau la invaliditate permanenta.**

• In vederea utilizarii corecte a produsului, respectati reglementarile locale, consultati toate informatiile furnizate sau contactati un specialist in domeniul sigurantei/ reprezentant 3M Romania. (3M Romania, Divizia de Siguranta Personală, Bucharest Business Park, Str. Menueului Nr.12, Corp D, Etaj 3, Sector 1, Bucuresti, Cod postal 013713, Telefon +4 021 202 8039, Fax +4 021 317 3184, www.SigurantaPersonală.ro).

Citiți toate instructiunile de utilizare si pastrati-le pentru consultare ulterioara.

Folosirea sistemului respirator se va face respectand strict toate aceste instructiuni:

- continute in acest manual
- referitoare la alte componente ale sistemului
- Nu utilizati regulatorul de aer in cazul unor concentratii de contaminant care depasesc valorile precizate in specificatiile tehnice.
- Nu folositi produsul pentru protectie respiratorie impotriva contaminantilor atmosferici necunoscuti, sau cand concentratia contaminantului este necunoscuta, sau in situatiile care constituie un pericol pentru viata sau sanatate (IDLH).
- Nu folositi in atmosfere in care continutul de oxigen este mai mic de 19,5%. (Definitie 3M. Fiecare tara poate avea propriile limite privind continutul minim de oxigen. In caz de dubii, cereti mai multe informatii.)
- A se utiliza numai impreuna cu mastile de protectie respiratorie, filtrele, componentele de rezerva si accesoriile enumerate in brosură de referinta si respectand conditiile de utilizare enuntate in specificatiile tehnice.
- Se va folosi numai de catre personalul competent, instruit in prealabil.
- Parasiti imediat zona contaminata daca:
 - a) Orice parte a sistemului este deteriorata.
 - b) Debitul de aer catre masca se micsoareaza sau se opreste.
 - c) Respiratia devine dificila.
 - d) Intervin stari de ameteala sau alte neplaceri.
 - e) Se simte mirosul sau gustul de contaminanti sau apar iritati.
- Niciodata nu modificati structura acestui produs. Inlocuiti componentele acestuia doar cu componente de rezerva, originale 3M.
- Nu folositi oxigen sau aer imbogatit cu oxigen.
- In caz ca aveti intentia sa folositi acest echipament in medii explozive, contactati Serviciul Tehnic 3M.
- Când este utilizat la temperaturi situate sub +4°C, continutul în umezeală al aerului respirat trebuie să fie controlat pentru a evita înghețarea aparatului.
- Asigurați-va intotdeauna ca:
 - sursa de alimentare cu aer este cunoscută;
 - puritatea alimentării cu aer este cunoscută;
 - aerul furnizat are o calitate adecvată respirației, la EN12021.
- Verificati ca debitul de aer furnizat este suficient pentru fiecare utilizator conectat la sistemul de furnizare al aerului.
- In cazul in care se intentioneaza racordarea accesoriilor pneumatice prin intermediul fisei auxiliare de conectare, asigurati-va intotdeauna ca sunt intrunite macar conditiile de furnizare a unui debit minim in masca atunci cand accesoriul respectiv consuma maximum de debit de aer. Presiunea minima necesara atunci cand este folosit un instrument de aer este 4,5 Bari. Pentru mai multe informatii despre compatibilitatea instrumentelor de aer, va rugam contactati 3M.
- **Atunci cand este folosit, acest produs este capabil sa produca nivele de zgomot sesizabile. Protectia auditiva ar trebuie sa fie la indemana fiecarui utilizator.**
- In conditii de lucru foarte intens, este posibil ca presiunea din interiorul mastii de protectie respiratorie sa devina negativa, mai ales atunci cand se inspira cea mai mare cantitate de aer furnizat.

- Acest produs trebuie utilizat numai în situații de lucru în care riscul de deteriorare a tubului de alimentare cu aer comprimat este redus și în care mișcările purtătorului sunt limitate. Alimentarea cu aer comprimat trebuie să fie prevăzută cu o supapă de siguranță în vederea depresurării calculată și ajustată corespunzător.
 - Regulatorul este fixat cu doua cuple de siguranță. Aveți grijă atunci când deconectați tubul de respirație și sursa tubului pentru aer comprimat. Asigurați-vă întodeauna ca acele cuple sunt folosite împreună. Tubul pentru respirație este marcat cu S-222 și cuplele pe regulator sunt marcate cu "S", pentru a indica faptul ca acele cuple sunt folosite.
 - Aceste unități nu se vor utiliza cu sisteme mobile de aer comprimat.
 - În cazul în care se detectează pierderi de aer în timpul funcționării sistemului, parasiti zona contaminată de urgență și nu încercați sub nicio formă sa acoperiți cu mainile zona care prezintă scurgerile de aer.
 - Nu scoateți inelele de etansare deoarece acest lucru poate afecta eficiența sistemului în timpul funcționării.
- ⚠ A nu se folosi dacă utilizatorul are barba sau par facial, deoarece nu se realizează o etansare corespunzătoare între fata și garnitura de etansare.**
- Este interzisă folosirea sistemului cu filtrele atașate dacă există posibilitatea imersării accidentale a acestora în apă.
 - Se recomandă verificarea sistemului și înlocuirea filtrelor în cazul în care unitatea de reglare a debitului de aer sau filtrele sunt expuse la flăcări.
 - Nu se cunosc reacții alergice cauzate de materialele utilizate în fabricarea echipamentului și care vin în contact cu pielea utilizatorului în ceea ce privește majoritatea indivizilor.
 - Acest produs nu conține componente fabricate din cauciuc natural.

MARCAJ

Va rugăm sa urmați instrucțiunile de utilizare aferente mastii de protecție respiratorie utilizate.

Regulatorul S-212 este marcat cu EN14594 4A și EN14594 3B și cu data de fabricare.

Tuburile pentru aer comprimat sunt marcate cu EN14594. Sunt marcate, de asemenea, și cu:

308-00-40P este marcat A - potrivit pentru utilizarea cu sisteme Clasa A (EN14594).

308-00-72P este marcat "Rezistent la căldură" și "Anti static".

PREGĂTIRE PENTRU UTILIZARE

Verificați dacă aparatul este complet, fara deteriorări și asamblat corect.

Partile defecte sau deteriorate trebuie înlocuite cu piese de schimb originale 3M, înainte de utilizare.

Efectuați verificări înainte de a utiliza masca de protecție respiratorie conform celor descrise în instrucțiunile de utilizare relevante.

Asigurați-vă ca inelele de etansare sunt corect poziționate înainte de utilizare.

Verificați ca fisa de conectare pentru accesorii este fixată și scoasă în mod corespunzător după utilizare.

Montare

1. Atașați centura regulatorului de aer conform celor ilustrate în Figura 1.

2. Atașați tubul de respirație regulatorului de aer conform Figurii 2.

3. Anexați tubul de respirație la masca de protecție respiratorie asemenea Figurii 3.

NOTA: Asigurați-vă ca simbolul 3M de pe piesa "Y" a tubului de respirație este cu partea frontală în sus, pentru a permite o aliniere corectă a tubului pentru respirație.

4. În cazul în care sistemul urmează sa fie folosit în modul unic de funcționare, DE ADUCȚIE CU ER, atunci TREBUIE FIXATE 2 SUPAPE DE DEBIT DEPASIT tubului de respirație (Consultați Figura 4). În cazul în care sistemul urmează sa fie folosit în modul dual de funcționare, atunci TREBUIE ANEXATE FILTRELE CORESPUNZATOARE tubului de respirație (Consultați Figura 5).

5. Conectați tubul de alimentare cu aer comprimat între unitatea de filtrare a aerului - 3M Aircare (opțională) și regulatorul S-200+, asigurându-vă că presiunea din unitatea de filtrare a aerului este reglată așa cum se descrie în secțiunea Specificații tehnice.

6. Înainte de utilizarea unității, ajustați configurația regulatorului la cel mai mic nivel de debit și efectuați un test de etansare cu ajutorul saculețului pentru verificarea etansării (Consultați Figura 6). Asigurați-vă ca se obține o bună etansare în timp ce strângeți gatul saculețului.

INSTRUCȚIUNI DE UTILIZARE

ECHIPAREA PRODUSULUI

1. Ajustați poziția centurii și închideți-o astfel încât regulatorul de aer sa fie fixat confortabil în jurul taliei dvs.

2. Ajustați poziția mastii de protecție respiratorie pe fata dvs. conform celor descrise în instrucțiunile de utilizare corespunzătoare.

3. Verificați ca este asigurat cel puțin debitul minim de aer în masca și reglati fluxul de aer al regulatorului pentru maximum de confort.

UTILIZARE

Dacă fluxul de aer se oprește sau se reduce în timpul utilizării, trebuie parasita zona și investigata cauza.

Aveți grijă ca tubul de respirație sa nu se infasoare în jurul diverselor obiecte, blocand introducerea aerului în echipamentul de protecție. Dacă acest lucru se întâmplă, parasiti imediat zona contaminată și verificați integritatea echipamentului.

Durata de întreținere a sistemului variază în funcție de frecvența utilizării și de condițiile de folosire.

În utilizarea zilnică, este recomandat ca produsul sa fie înlocuit după aproximativ 5 ani de utilizare, cu condiția ca acesta sa fie depozitat și întreținut conform instrucțiunilor de utilizare.

Unele condiții extreme pot avea ca rezultat deteriorarea mastii după o perioadă de timp mai scurtă.

SCOATEREA ECHIPAMENTULUI

Nu scoateți masca, filtrele și nu opriți unitatea cu presiune pozitivă pana nu ati parasit zona cu noxe.

1. Scoateți-vă masca de protecție facială conform instrucțiunilor de utilizare relevante.

2. Deconectați tubul de alimentare cu aer comprimat de la regulator.

3. Desfaceți centura de la brau.

NOTA

Nu deconectați tubul pentru respirație de la regulator în timp ce sistemul este sub presiune, acest lucru determinand o eliberare foarte mare de aer presurizat.

Dacă echipamentul de respirație a fost folosit într-o zonă care a determinat contaminarea sa cu o substanță, necesitand o procedură specială de decontaminare, acesta trebuie introdus într-un container închis ermetic pana cand echipamentul se va decontamina sau va fi distrus.

INTREȚINERE

Întreținerea, service-ul și reparațiile trebuie efectuate numai de personal instruit în acest sens.

⚠ (Introduceți triunghiul de atenționare) Utilizarea de piese necertificate sau modificarea neautorizată a echipamentului poate conduce la pericole la adresa vieții sau sănătății persoanei și poate invalida orice garanție asupra produsului.

Acest produs de protecție respiratorie este conceput special pentru a necesita o întreținere minimală. În cazul în care se defectează componentele sale, acestea trebuie debarasate și înlocuite cu altele noi. Toate piesele de rezerva trebuie sa fie fixate în mod corespunzător.

CE	CAND
Verificare Generala	Înainte de utilizare Lunar, în cazul în care nu există utilizare regulată a produsului
Curatare	Dupa folosire

Trebuie ținut un jurnal de întreținere în etapa de verificare lunară pentru a asigura conformitatea cu procedurile de SSM. Acest jurnal trebuie pastrat timp de cel puțin 5 ani de zile.

DEFECTIUNI

Simptom	Cauza posibila	Remediu
Lipsă flux de aer	1. Sursa externă de alimentare cu aer este oprită 2. Tubul de alimentare cu aer comprimat este blocat sau strangulat 3. Unitatea este defectă	1. Porniți alimentarea 2. Verificați tubul de alimentare 3. Înlocuiți unitatea
Debit de aer redus (testul de verificare a debitului descrescător de aer)	1. Presiune redusă sau flux de alimentare cu aer extern insuficient 2. Aircare – Unitatea de filtrare a aerului blocată (dacă este utilizată) 3. Unitatea este defectă	1. Verificați presiunea și fluxul de alimentare 2. Verificați unitatea Aircare 3. Înlocuiți unitatea
Se detectează miros	1. Masca de protecție facială a fost echipată necorespunzător sau a fost deteriorată. 2. Aircare – Unitatea de filtrare a aerului necesită întreținere (dacă este utilizată) 3. Alimentarea externă cu aer este contaminată	1. Repozitionați masca sau înlocuiți-o cu una nouă. 2. Verificați unitatea Aircare 3. Verificați calitatea alimentării externe

INSTRUCIUNI DE CURATARE

Este recomandată curățarea produsului după fiecare utilizare.

Curățați masca de protecție facială (exceptând filtrele) potrivit instrucțiunilor de utilizare ale măștii.

Folosiți o lavetă curată, impregnată cu o soluție de concentrație slabă de săpun lichid și apă.

Verificați ca partea interioară a componentelor să fie uscată înainte de utilizare.

Nu imersați regulatorul în apă.

Nu utilizați aerul comprimat pentru a curăța acest produs.

Nu folosiți petrol, fluide degresante clorurate (cum ar fi trichloroetilena), solvenți organici sau agenți abrazivi pentru a curăța vreo parte a echipamentului.

Pentru a dezinfecta unitatea, folosiți servetelele de curățare după cum este detaliat în Pliantul de referință.

DEPOZITARE ȘI TRANSPORT

Aceste produse trebuie depozitate în ambalajul original, în condiții curate și lipsite de umezeală, departe de lumina directă a soarelui, de surse de temperaturi înalte, carburanți și vapori de solvenți.

Nu depozitați în afara intervalului de temperaturi -10 °C ... +50 °C sau la un nivel al umidității de peste 90%.

Atunci când este depozitat în mod corespunzător, durata de valabilitate a produsului este de 5 ani de la data fabricației.

Ambalajul original este corespunzător pentru transportul produsului oriunde în Uniunea Europeană.

SPECIFICAȚII TEHNICE

Protecție Respiratorie

EN14594 Clasa 4A/4B atunci când este combinat cu o mască integrală 3M™.

EN14594 Clasa 3A/3B atunci când este combinat cu o semimasca aprobată 3M™.

Piese pentru față și tuburile pentru respirație intrinsec cele mai înalte standarde de siguranță (B) EN14594. Acestea sunt aprobate pentru utilizarea împreună cu o gamă variată de sisteme de aer comprimat care intrinsec ambele cerințe de siguranță (A și B). Va rugăm verificați secțiunea Marcajul Echipamentelor pentru mai multe informații.

Condiții de utilizare

-0 la +40°C și <90 % umiditate

Presiunea de intrare

Intervalul de presiune: 3,0 - 7,0 bari

Presiunea maximă: 10 bar

Caracteristicile debitului de ieșire

Debit de aer minim proiectat (MMDF) 120 l/min

Debit maxim de aer (5-7 Bari): >310 l/min

Debit maxim de aer (3-5 Bari): 200-310 l/min

Limite Maxime de Utilizare

Semi-măști în timpul utilizării modului de aducție cu aer: 50 x Valoarea Limita Admisă.

Măști complete în timpul utilizării modului de aducție cu aer: 200 x Valoarea Limita Admisă.

Atunci când este deconectată alimentarea cu aer, concentrația maximă în vederea utilizării va depinde de nivelurile precizate în broșura de instrucțiuni a filtrelor respective. (spre exemplu, atunci când sunt fixate filtrele A1 la semi-mască, concentrația maximă în vederea utilizării ar de 50 x Valoarea Limita Admisă pentru utilizarea în modul de aducție cu aer; însă numai de 10 x Valoarea Limita Admisă atunci când este deconectată alimentarea cu aer).

Furtun pentru furnizarea aerului comprimat (CAST)

Standard intrunit EN14594 'B'.

Lungime maximă (CAST): 30 metri

Presiunea maximă de lucru în condiții de siguranță: 10 bari

CERTIFICARI

Aceste echipamente îndeplinesc cerințele Directivei Comunității Europene 89/686/EEC (Directiva pentru Echipamente Individuale de Protecție) și sunt, prin urmare, marcate CE.

Certificarea conform articolului 10, aferent Examinării de tip CE și articolului 11 aferent Controlului de calitate CE a fost emisă de BSI, Kitemark Court, Davy Avenue, Knowlhill, Milton Keynes, MK5 8PP, UK (Organism certificat numărul 0086).



Пожалуйста, прочитайте данную инструкцию пользователя и справочную листовку совместно с соответствующими инструкциями пользователя к лицевым частям 3M™ и фильтрам 3M™, где вы найдете информацию про:

- Допустимые сочетания лицевых масок 3M™ и фильтров 3M™;
- запасные части
- аксессуары

⚠️ Обратите особое внимание на предупреждения, выделенные данным знаком.

РАСПАКОВКА

Упаковка вашего регулятора подачи сжатого воздуха 3M™ S-200+ должна содержать:

- а) Регулятор подачи воздуха (S-212)
- б) Дыхательный шланг (S-222)
- в) Пояс
- г) Перепускные клапаны
- е) Устройство контроля подачи воздуха (FCB-01)

ОПИСАНИЕ СИСТЕМЫ

Регулятор подачи сжатого воздуха 3M™ S-200+ разработан для совместного использования с одобренными лицевыми частями 3M™ (См. справочную листовку).

Данное изделие отвечает требованиям стандарта EN14594 (Устройства защиты органов дыхания – дыхательные аппараты с непрерывной подачей сжатого воздуха) и ГОСТ Р 12.4.252-2009 "Средства индивидуальной защиты органов дыхания. Дыхательные аппараты со шлангом подачи чистого воздуха, используемые с масками и полумасками."

Настраиваемый регулятор (блок контроля подачи воздуха) крепится на талии и снабжен входным разъемом и вспомогательным выходным разъемом, позволяющим подключать окрасочные распылители или пневматический инструмент.

Регулятор подачи воздуха спроектирован и одобрен для использования в двойном режиме или в режиме подачи воздуха совместно с лицевыми частями 3M™ и фильтрами, указанными в справочной листовке.

Двойной режим

- В данном режиме подходящий противоаэрозольный и/или противогазовый фильтры прикрепляются к дыхательной трубке.
- Прикрепленный фильтр будет обеспечивать защиту, когда подача сжатого воздуха отключена, или подключение подачи воздуха не возможно (например, вход в или выход из загрязненной зоны).
- Пользователь должен подобрать фильтр способный обеспечить защиту от определенного вида загрязняющего вещества.
- Пара одинаковых фильтров должна использоваться в течение всего времени применения.
- Срок службы пары фильтров может быть различным и зависит от концентрации загрязняющего вещества, интенсивности работы, время воздействия и т.д. Фильтры должны быть заменены, когда пользователь обнаружит проникание загрязняющего вещества, почувствовав его запах или вкус. Тем не менее, рекомендуется заменять фильтры перед тем, как признаки загрязняющего вещества будут обнаружены.
- Пара фильтров должна быть заменена через один месяц после начала использования, даже если признаки загрязняющего вещества не обнаружены. В случае любых сомнений, замените фильтры новой парой.
- Дополнительные указания и предупреждения относительно выбора, использования и замены фильтра при данном режиме использования могут быть найдены в инструкциях по эксплуатации лицевых частей и фильтров.
- Повышенный поток воздуха может утекать через фильтр либо при максимальных настройках регулятора или при выдохе.
- Повышенная влажность подаваемого воздуха может негативно повлиять на срок службы фильтра.
- **Только фильтры, разработанные для использования с полумаской могут быть применены с дыхательным шлангом, так как это показано в справочной листовке.**

Режим подачи воздуха

- Регулятор подачи воздуха 3M™ S-200+ совместно с лицевыми частями 3M™ с байонетным креплением могут быть использованы в

режиме подачи воздуха при использовании внешнего источника сжатого воздуха, пригодного для дыхания.

- Повышенный поток воздуха может утекать через перепускные клапаны либо при максимальных настройках регулятора или при выдохе.

⚠️ ВНИМАНИЕ

• Правильный выбор модели, обучение и соответствующий уход являются обязательными условиями эффективной защиты пользователя от загрязняющих веществ в воздухе. Несоблюдение правил эксплуатации данных средств индивидуальной защиты органов дыхания и/или неправильное ношение изделия в течение всего времени нахождения в опасной среде могут стать причинами причинения вреда здоровью пользователя и привести к серьезным или опасным для жизни заболеваниям или к полной потере трудоспособности.

- Используйте изделие в соответствии с местным законодательством, изучите всю прилагаемую информацию или проконсультируйтесь со специалистом по технике безопасности или с представителем компании 3M.

Перед применением прочитайте все инструкции и сохраните их для справочной информации.

При использовании этого средства индивидуальной защиты органов дыхания строго соблюдайте все инструкции:

- содержащиеся в данном буклете;
- прилагаемые к другим компонентам системы.
- Не используйте, если концентрация загрязняющего вещества превышает значения, указанные в Технических характеристиках.
- Запрещается использовать это средство защиты органов дыхания, если неизвестны загрязняющие вещества, находящиеся в воздухе или неизвестна концентрация загрязняющих веществ, или концентрация составляет непосредственную опасность для жизни и здоровья (IDLH).
- Не используйте в среде, концентрация кислорода в которой составляет менее 19,5%. (Данный уровень рекомендован компанией 3M. В каждой стране может быть установлен свой предельный уровень кислорода. При наличии сомнений обратитесь к специалисту).
- Используйте только совместно с лицевыми частями, запасными частями и аксессуарами, перечисленными в справочной листовке и при условиях использования, определенных в Технических характеристиках.
- Допускается эксплуатация изделия только квалифицированным и обученным персоналом.
- Следует немедленно покинуть загрязненную территорию в случае:
 - а) Повреждения любого элемента системы.
 - б) Уменьшения или прекращения подачи воздуха в лицевую часть.
 - в) Затруднения дыхания.
 - г) Появления головокружения или другого недомогания.
 - д) Ощущения запаха или вкуса загрязняющих веществ или появления симптомов раздражения.
- Никогда не модифицируйте и не перерабатывайте данное изделие. Заменяйте детали изделия только оригинальными запасными частями 3M.
- Не используйте чистый кислород или воздух с повышенным содержанием кислорода.
- Если возникает необходимость работать в заведомо взрывоопасной среде, обратитесь в Техническую службу 3M.
- При использовании при температурах ниже +4 °C следует контролировать влажность воздуха для дыхания, для предотвращения замерзания аппарата.
- Всегда следует убедиться, что:
 - известен источник подаваемого воздуха;
 - известна чистота подаваемого воздуха;
 - подаваемый воздух пригоден для дыхания согласно EN12021.
- Обеспечьте достаточный объем подаваемого воздуха для каждого пользователя подключенного к системе.
- При необходимости подключить пневматический инструмент через вспомогательный разъем, всегда убедитесь, что при использовании данного инструмента, настроенного на

максимальное значение подачи воздуха, выполняется требование по минимальному воздушному потоку подаваемому к лицевой части.

Минимальное давление при использовании пневматического инструмента равно 4,5 Бар. За более подробной информацией по совместимости с пневматическим инструментом обращайтесь в ЗМ.

- **Во время работы изделие может создавать повышенный уровень шума. При необходимости обеспечьте защиту органа слуха.**
- При интенсивной работе, давление внутри лицевой части может стать отрицательным при пиковых значениях воздушного потока на вдохе.
- Данное изделие должно использоваться только в производственных условиях, где риск повреждения шланга подачи сжатого воздуха низок и где движения пользователя ограничены. Подача сжатого воздуха должна быть оснащена должным образом рассчитанным и отрегулированным предохранительным клапаном сброса давления.
- Регулятор оснащен двусторонними предохранительными муфтами. Будьте осторожны, отсоединяя дыхательный шланг и трубку подачи сжатого воздуха. Убедитесь, что предохранительные муфты используются одновременно. Дыхательный шланг имеет маркировку S-222, а муфта на регуляторе имеет маркировку 'S' для того чтобы показать, что используются двусторонние предохранительные части.
- Не используйте эти устройства с передвижными компрессорами.
- При обнаружении утечек во время использования системы, немедленно покиньте загрязненную зону и ни при каких обстоятельствах не предпринимайте попыток устранить утечку любой частью тела.
- Не снимайте уплотнительные кольца, т.к. это может негативно сказаться на защитных свойствах системы.

⚠ Не используйте при наличии бороды или другого волосяного покрова на лице, так как в этом случае может ухудшиться контакт изделия с кожей лица, что препятствует хорошему прилеганию.

- Система не должна использоваться с надетыми фильтрами, если существует вероятность случайного погружения в воду.
- Система должна быть проверена, а фильтры заменены, в случае если система или фильтры подверглись воздействию пламени.
- Материалы, которые могут контактировать с кожей, не вызывают аллергических реакций у большинства пользователей.
- Данный продукт не содержит компонентов, выполненных из натурального каучукового латекса.

МАРКИРОВКА

Информация по маркировке лицевой части приведена в соответствующей инструкции пользователя.

Регулятор S-212 маркирован в соответствии с EN14694 4B и EN14594 3B с датой производства.

Шланги подачи сжатого воздуха маркированы в соответствии с EN14594. Также они маркируются как указано ниже:

308-00-40P имеет маркировку A - подходит для использования с устройствами класса A (EN14594).

308-00-72P имеет маркировку "Жаропрочный" и "Антистатический".

ПОДГОТОВКА К ЭКСПЛУАТАЦИИ

Убедитесь, что изделие полностью укомплектовано, не имеет повреждений и правильно собрано. Перед применением необходимо заменить все поврежденные или неисправные части оригинальными запасными частями производства компании ЗМ.

Перед использованием лицевой части проведите проверку, следуя указаниям, приведенным в соответствующей инструкции пользователя.

Перед использованием убедитесь, что уплотнительные кольца установлены на место.

Убедитесь, что разъем для аксессуаров правильно установлен и заменен после использования.

Установка

1. Присоедините пояс к регулятору, как показано на Рисунке 1.
2. Присоедините дыхательный шланг к регулятору, как показано на Рисунке 2.

3. Присоедините дыхательный шланг к лицевой части, как показано на Рисунке 3.

ПРИМЕЧАНИЕ: Убедитесь, что символ ЗМ на Y-образной части дыхательного шланга выровнен, чтобы обеспечить его правильное расположение.

4. Если система будет использоваться в РЕЖИМЕ ПОДАЧИ ВОЗДУХА, тогда пара ПЕРЕПУСКНЫХ КЛАПАНОВ ДОЛЖНА БЫТЬ ПРИКРЕПЛЕНА к дыхательному шлангу (См. Рисунок 4). Если система будет использоваться в ДВОИНОМ РЕЖИМЕ, тогда пара ПРАВИЛЬНО ПОДОБРАННЫХ ФИЛЬТРОВ ДОЛЖНА БЫТЬ ПРИКРЕПЛЕНА к дыхательному шлангу (См. Рисунок 5).

5. Подсоедините шланг подачи сжатого воздуха между дополнительным блоком ЗМ Aircare – блоком фильтрации воздуха и регулятором S-200+, обеспечив регулировку давления в блоке фильтрации воздуха, как указано в разделе «Техническая спецификация».

6. Перед использованием, установите регулятор в режим минимального потока воздуха и проведите проверку воздушного потока, используя сумку для проверки воздушного потока (См. Рисунок 6). Убедитесь, что ваша рука достаточно плотно обхватывает отверстие в сумке.

ИНСТРУКЦИИ ПО ЭКСПЛУАТАЦИИ НАДЕВАНИЕ

1. Подгоните пояс к регулятору, чтобы он удобно располагался вокруг вашей талии и застегните его.
2. Подгоните и наденьте лицевую часть, следуя указаниям соответствующей инструкции пользователя.
3. Убедитесь, что достигается минимальное значение воздушного потока, подаваемого к лицевой части и настройте регулятор на максимально удобное значение воздушного потока.

ЭКСПЛУАТАЦИЯ

Если во время использования СИЗОД подача воздуха уменьшится или остановится, немедленно покиньте загрязненную зону и установите причину произошедшего.

Следите за тем, чтобы воздушный шланг не зацепился за какие-либо выступающие предметы. Если это произойдет, покиньте загрязненную зону и проверьте СИЗОД на отсутствие повреждений.

Срок службы изделия зависит от частоты и условий использования.

При условии технического обслуживания и хранения изделия в соответствии с рекомендациями, изложенными в настоящей инструкции, срок службы составляет 5 лет с даты изготовления.

В некоторых экстремальных условиях ухудшение состояния может произойти раньше.

СНЯТИЕ

Не снимайте маску или фильтры и не отключайте подачу воздуха, пока не покинете загрязненную зону.

1. Снимите лицевую часть, следуя указаниям соответствующей инструкции по эксплуатации.
2. Отсоедините шланг подачи сжатого воздуха от регулятора.
3. Расстегните поясной ремень.

ПРИМЕЧАНИЕ

Не отсоединяйте дыхательный шланг от регулятора пока система находится под давлением, так как это может привести к выбросу воздуха под высоким давлением.

Если блок принудительной подачи воздуха загрязнен каким-либо веществом, требующим проведения специальной процедуры очистки, его необходимо поместить в подходящий герметичный контейнер, где он должен оставаться до очистки или списания.

ТЕХНИЧЕСКОЕ ОБСЛУЖИВАНИЕ

Техническое обслуживание и ремонт должны проводиться только специалистами, прошедшими необходимую подготовку.

⚠ Использование неразрешенных деталей или внесение неразрешенных изменений может быть опасным для жизни или здоровья пользователя и приводит к аннулированию гарантии.

Данное СИЗОД разработано таким образом, что требует минимального обслуживания. Если какие-либо компоненты повреждены, они должны быть заменены и утилизированы. Все заменяемые составные части должны быть установлены правильно.

ЧТО	КОГДА
-----	-------

Общий осмотр	Перед использованием Ежемесячно, если не используется регулярно
--------------	--

Очистка	После использования
---------	---------------------

В соответствии с Законом об охране труда и технике безопасности записи в журнале технического обслуживания следует делать при ежемесячных проверках оборудования. Журнал следует хранить не менее 5 лет.

УСТРАНЕНИЕ НЕИСПРАВНОСТЕЙ

Симптом	Возможная причина	Способ исправления
Отсутствует подача воздуха	1. подача сжатого воздуха выключена 2. Шланг подачи сжатого воздуха засорен или пережат 3. Блок поврежден	1. Включить подачу 2. Проверить шланг подачи 3. Заменить блок
Слабый поток воздуха (Не пройден тест воздушного потока)	1. Низкий поток или давление сжатого воздуха 2. Aircare – блок фильтрации воздуха (если используется) засорен 3. Блок поврежден	1. Проверьте давление и поток 2. Проверьте блок Aircare 3. Заменить блок
Обнаружен неприятный запах	1. Лицевая часть надета неправильно или повреждена 2. Для Aircare – блока фильтрации воздуха (если используется) требуется техническое обслуживание 3. подача внешнего воздуха загрязнена	1. Отремонтируйте или замените лицевую часть 2. Проверьте блок Aircare 3. Проверьте качество сжатого воздуха

ИНСТРУКЦИЯ ПО ОЧИСТКЕ

Рекомендуется очищать изделие после каждого использования. Производите очистку лицевых частей (за исключением фильтров) в соответствии с инструкцией пользователя для соответствующей лицевой части.

Используйте чистую ткань, смоченную слабым раствором бытового мыла в воде.

Перед использованием убедитесь, что внутреннее пространство компонентов сухое.

Не помещайте регулятор в сборе в воду.

Не используйте сжатый воздух для очистки продукта.

Не пользуйтесь бензином, хлорсодержащими обезжиривателями (такими как трихлорэтилен), органическими растворителями или абразивными чистящими средствами.

Для дезинфекции используйте салфетки, указанные в Техническом описании.

ХРАНЕНИЕ И ТРАНСПОРТИРОВКА

Данное изделие должно храниться в оригинальной упаковке в сухом и чистом месте, вдали от прямых солнечных лучей, высоких температур, паров нефтепродуктов и растворителей.

Хранить при температуре от -10 °C до +50 °C и относительной влажности не выше 90 %.

При надлежащих условиях хранения, срок хранения составляет 5 лет с даты изготовления.

Оригинальная упаковка соответствует требованиям, предъявляемым к транспортировке продукции в пределах Европейского союза и РФ.

ТЕХНИЧЕСКИЕ ХАРАКТЕРИСТИКИ

Защита органов дыхания

EN14594 Класс 4A/4B, если используется соответствующая полнолицевая маска 3M™.

EN14594 Класс 3A/3B, если используется соответствующая полумаска 3M™.

Лицевые части и дыхательные шланги отвечают требованиям повышенной прочности (B) стандарта EN14594. Они могут быть использованы с различными шлангами подачи сжатого воздуха, отвечающими требованиям как пониженной, так и повышенной прочности (A и B). Обратитесь к разделу Маркировка за более подробной информацией.

Условия эксплуатации

От -0 до +40°C и влажность <90 %

Давление на Входе

Диапазон давления: 3,0 - 7,0 бар

Максимальное давление: 10 бар

Характеристики потока на выходе

Минимальное расчетное значение, указываемое производителем (MMDF) – 120 л/мин

Максимальный воздушный поток (5-7 бар): >310 л/мин

Максимальный воздушный поток (3-5 бар): 200-310 л/мин

Допустимые пределы использования

Полумаска в режиме подачи воздуха: 50 ПДК

Полнолицевая маска в режиме подачи воздуха: 200 ПДК

Если система подачи воздуха отключена, максимальные концентрации загрязняющих веществ, от которых обеспечивается защита зависят от уровней, указанных в соответствующей справочной листовке к фильтрам (например, при соединении фильтра A1 с полумаской, максимальная концентрация будет 50 ПДК в режиме подачи воздуха, но только 10 ПДК, если подача воздуха отключена).

Шланг Подачи Сжатого Воздуха (CAST)

Стандартные условия в соответствии с EN14594 'B'.

Максимальная длина (шланг CAST): 30 метров

Максимальное безопасное рабочее давление: 10 бар

СЕРТИФИКАТЫ

Данные изделия отвечают требованиям Директивы Европейского сообщества 89/686/ЕЕС (Директива о средствах индивидуальной защиты) и имеют маркировку CE.

Сертификация этих изделий в соответствии со Статьей 10, ЕС об испытаниях, и Статьей 11, ЕС о контроле качества, была проведена BSI, Kitemark Court, Davy Avenue, Knowlhill, Milton Keynes, MK5 8PP, UK (номер уполномоченного органа 0086).

UA

Будь ласка, ознайомтеся із даною інструкцією користувача та буклетом із посиланнями до відповідних 3M™ Масок або 3M™ Фільтрів Інструкції користувача, де ви знайдете інформацію про:

Затверджені комбінації 3M™ лицевих масок та 3M™ Фільтрів

- Запасні частини
- Додаткові аксесуари

⚠ Зверніть особливу увагу на попередження, що відмічені знаками оклику.

КОМПЛЕКТАЦІЯ

Ваш 3M™ Регулятор системного повітря S-200+ має містити:

- Регулятор в сборі (S-212)
- Дихальна трубка (S-222)
- Ремінь
- Перепускні клапани
- Пристрій для перевірки потоку повітря (FCB-01)

ОПИС СИСТЕМИ

3M™ Регулятор подачі повітря S-200+ призначений для використання в поєднанні із затвердженими 3M™ Лицевими частинами (Див. листівку із посиланнями).

Цей виріб відповідає вимогам стандарту EN14594, що стосується захисних респіраторних пристроїв та дихальних апаратів із неперервною подачею стиснутого повітря.

Регульований стабілізатор / блок контролю потоку змонтовані на талії і оснащений роз'ємом входу і виходу допоміжних портів здатних приймати розпилення фарби або пневматичний інструмент.

Регулятор системи подачі повітря розроблений і схвалений для використання в двоканальному режимі або в режимі з подачею повітря, 3M™ із лицевими частинами та фільтрами зазначеними у Листі із посиланнями.

Подвійний режим

- В цьому режимі, відповідні протиаерозольні та/або протигазові фільтри встановлюються на дихальну трубку.
 - Доданий фільтр забезпечує захист, коли стиснене повітря або коли система подачі повітря відключена (наприклад, в'їзд і виїзд із забруднених районів).
 - Користувач повинен вибрати фільтри, що здатні забезпечити захист від забруднень.
 - Пари однакових фільтрів мають використовуватись завжди.
 - Срок служби пари фільтрів буде змінюватись в залежності від рівня забруднення, швидкості роботи, впливу часу і т.д. Фільтри повинні бути замінені, коли користувач може виявити смак і запах зайвих речовин. Регулярна заміна фільтрів перед використанням не обов'язкова, однак, настійно рекомендується.
 - Фільтри повинні бути замінені, навіть якщо немає значних забруднень не виявлено, протягом 1 місяця. Якщо виникають сумніви, завжди замінійте фільтри новою парою.
 - Подальші інструкції та попередження, що стосуються вибору, використання та заміни фільтрів в цьому режимі можна буде знайти в інструкції до Фільтрів та в інструкції до лицевої частини.
 - Надмірна повітря може проходити через фільтр, на більш високих налаштуваннях регулятора або під час видиху.
 - Надлишок вологи в повітрі може негативно впливати на термін служби фільтра.
 - **Тільки фільтри, призначені для напівмасок можуть бути використані із дихальною трубою 3M, як показано в довідковому листку.**
- Режим подачі повітря**
- The 3M™ Регулятор подачі системного повітря S-200+ разом із 3M™ байонетним з'єднанням лицевої частини може бути використаний в режимі постачання повітря, за допомогою зовнішнього джерела дихання стислого повітря.
 - Надмірне повітря може впливати на перепускні клапани у більш високих налаштуваннях регулятора або під час видиху.

⚠ ПОПЕРЕДЖЕННЯ

- Щоб забезпечити захист користувача від певних аерозольних забруднювачів повітря, необхідно впевнитись, що правильно вибрано засіб захисту, користувач пройшов відповідне навчання, використовує та обслуговує засіб

захисту як належне. Недотримання усіх інструкцій під час використання цього виробу та/або невикористання респіраторного захисту протягом усього часу знаходження в небезпечних умовах може несприятливо вплинути на здоров'я робітника та призвести до серйозних захворювань або постійної неприцездатності.

- Для визначення придатності виробу для використання в певних умовах необхідно враховувати вимоги національного законодавства. Уважно вивчіть усю надану інформацію або зверніться до відповідального за охорону праці на Вашому підприємстві чи до технічного спеціаліста місцевого офісу компанії 3M: 03680, Україна, м.Київ, вул. Амосова 12 тел. (044) 490 57 77 факс (044) 490 57 75

Уважно ознайомтеся з цією інструкцією та збережіть її задля можливості подальшого використання.

Використовуйте цю систему респіраторного захисту виключно у відповідності з усіма інструкціями, наведеними:

- - у цій Інструкції з експлуатації,
- - в інструкціях, що супроводжують інші компоненти респіраторної системи.
- Не слід використовувати в концентрації забруднюючих речовин вище дозволених у технічній специфікації.
- Не використовувати для респіраторного захисту від невідомих атмосферних забруднювачів чи якщо концентрація забруднення повітря невідома або становить негайну небезпеку для життя чи здоров'я.
- Не використовувати при концентрації кисню в повітрі менше 19,5% (рекомендація 3M; нормативні документи різних країн можуть встановлювати свої вимоги щодо допустимого рівня кисню у повітрі; якщо у вас виникають сумніви, звертайтеся за інформацією до уповноважених організацій).
- Використовуйте тільки з масками, фільтрами, запчастини частини та аксесуари, що перераховані в довідковому проспекті та залежно від умов експлуатації що наведені в технічній специфікації.
- Тільки для використання персоналом, який пройшов відповідне навчання та підготовку.
- Терміново залиште забруднену зону, якщо:
 - Пошкоджена будь-яка частина системи.
 - Потік повітря у півмаску уповільнюється або зупиняється.
 - Дихати стає важко.
 - З'явилося запаморочення або інше нездужання.
 - Відчувається запах або смак забруднювачів повітря, або з'являється інше подразнення.
- Ніколи не видозмінюйте та не переробляйте цей виріб. Використовуйте для заміни тільки оригінальні запасні частини 3M.
- Не використовуйте кисень або збагачене киснем повітря при використанні респіраторних систем з подачею стисненого повітря.
- У разі необхідності використання у вибухонебезпечній або вогнебезпечній атмосфері зв'яжіться з технічним спеціалістом відділу засобів індивідуального захисту місцевого офісу компанії 3M.
- У разі використання системи за температури, меншої ніж +4°C, слід зважати на вологість повітря, що вдихається, щоб уникнути замерзання апарату.
- Зважайте, щоб вам завжди:
 - було відоме джерело подачі повітря;
 - був відомий рівень чистоти повітря, що подається;
 - повітря, що подається до EN12021, було придатним для вдихання.
- Забезпечення можливостей системи подачі повітря достатня для кожного користувача, підключеного до неї.
- При необхідності підключення пневматичного інструменту через допоміжний роз'єм, завжди перевіряйте, що принаймні, мінімальні умови потоку на обличчя присутні, коли аксесуар споживає максимально можливе повітря.
- Тиск повітря у випадку підключення до системи пневматичного інструменту має становити не менше ніж 4,5 Бар. Для отримання більш детальної інформації зверніться у місцевий офіс компанії 3M.
- Під час роботи система може генерувати небезпечні рівні шуму. Засоби індивідуального захисту слуху мають бути в наявності для їх використання у разі необхідності.

- При дуже високих темпах роботи, тиск в обличчя маски може стати негативним в ліквовий потік вдиху.
- Цей вибір слід використовувати лише в тих робочих умовах, у яких відсутній ризик пошкодження шланга подачі стиснутого повітря і рухи користувача є обмеженими. Систему подачі стиснутого повітря має бути оснащено відповідно відрегульованим запобіжним клапаном вивільнення тиску.
- Регулятор обладнаний з'єднаннями подвійної дії. Будьте уважні, коли від'єднуєте дихальний шланг та шланг подачі стисненого повітря. Переконайтеся, що з'єднання подвійної дії використовуються в парі. Дихальний шланг позначений маркуванням "S-222", з'єднання на регуляторі позначене маркуванням "S" для належного використання.
- Ці прилади не можуть бути використані в мобільних системах стисненого повітря.
- Якщо виток повітря виявленні у той час як система знаходиться у використанні, залиште забруднену територію відразу, і ні за яких обставин не намагайтесь зулунити витік будь-якою частиною тіла.
- Не знімайте кільця ущільнювачів, так як це може негативно вплинути на продуктивність системи.

⚠ Виріб не призначений для користувачів із бородою або іншим заростом на обличчї, що може вплинути на щільність прилягання респіратора та суттєво знизити рівень захисту.

- Система не повинна бути використана за допомогою фільтрів, у випадках, де є можливість випадкового занурення у воду.
- Система повинна бути перевірена та фільтри мають бути замінені, якщо пристрій або фільтри піддавалися дії вогню.
- Матеріали, що контактують зі шкірою користувача, не були зареєстровані у якості таких, що можуть викликати алергічні реакції у більшості людей.
- Цей продукт не містить компонентів, вироблених з натурального латексу.

МАРКУВАННЯ

Для маркування маски див. відповідні інструкції користувача. Регулятор S-212 відповідно маркований EN 14594 4B, EN 14594 3B та датою його виробництва.

Шланги подачі повітря також марковані EN 14594. Вони також мають відповідне маркування:

308-00-40P маркований літерою "A" - призначений для роботи з приладами класу A (EN14594).

308-00-72P має маркування щодо стійкості до нагрівання та антистатичних властивостей.

ПІДГОТОВКА ДО ВИКОРИСТАННЯ

Перевірте, щоб обладнання було у повній комплектації, непошкожене та правильно зібране. Будь-які пошкоджені частини або частини з дефектами потрібно замінити перед використанням.

Проведення попередньої перевірки використання респіратора, як зазначено у відповідній інструкції користувача.

Переконайтеся, що ущільнювальне кільце на місці до використання. Переконайтеся, що аксесуари встановлено правильно і замінені після використання.

Встановлення

1. Встановіть ремінь з регулятором, як показано на малюнку 1.
2. Встановіть дихальну трубку до регулятора, як показано на малюнку 2.
3. Приєднайте дихальну трубку до лицьової частини, як показано на малюнку 3.

ПРИМІТКА: Переконайтеся, що позначення 3М "Y" дихального шлангу розміщене зверху - переконайтеся, що шланг розміщено належним чином.

4. Якщо система буде використовуватися в режимі подачі повітря, що подається, пара перепускних клапанів має бути встановлена на дихальну трубку (див. рис 4). Якщо система буде використовуватися у подвійному режимі подачі повітря, що подається, пара відповідних фільтрів має бути встановлена на дихальну трубку (див. рис 5).
5. Під'єднайте шланг подачі стиснутого повітря до додаткового пристрою для фільтрування повітря 3M Aircare та регулятора S-200+, відрегулювавши тиск у пристрої для фільтрування відповідно до параметрів, поданих у розділі "Технічні характеристики".

6. Перед використанням налаштувань регулятора до налаштування найнижчого потоку проведіть перевірку за допомогою повітряного потоку використовуючи повітряний мішок для перевірки (див. рис 6). Переконайтеся у хорошому формуванні ущільнення між пристроєм та мішком.

ІНСТРУКЦІЯ З ВИКОРИСТАННЯ

ЯК ОДЯГАТИ

1. Встановлювати та налагоджувати поясний ремінь з встановленим регулятором зручно навколо талії.
2. Налаштуйте та встановіть маску, як зазначено у відповідній інструкції користувача.
3. Забезпечте хоча б мінімальний потік повітря до маски та регулюйте потік повітря регулятора для максимального комфорту.

У ВИКОРИСТАННІ

Якщо під час роботи подача повітря припинилась чи зменшився тиск, терміново покиньте забруднену зону та перевірте обладнання. Під час роботи не допускайте чіплення трубки подачі повітря за виступаючі об'єкти.

Термін експлуатації продукту варіює залежно від частоти і умов використання.

При щоденній експлуатації рекомендується замінити систему після приблизно 5 років за умови якщо продукт зберігався і обслуговувався згідно з правилами, вказаними нижче.

Деякі екстремальні умови можуть призвести до погіршення роботи системи за більш короткий період.

ЯК ЗНІМАТИ

Не знімайте з обличчя напіvmаску чи фільтри та не вимикайте елемент подачі повітря до того, як покинете зону забруднення.

1. Знімайте маску, згідно з відповідними інструкціями користувача.
2. Вимкніть подачу стисненого повітря з трубки регулятора.
3. Зніміть ремінь.

ПРИМІТКА.

Не від'єднуйте шланг від системи у робочому стані, оскільки це спричинить виток повітря під тиском.

Якщо система респіраторного захисту використовувалась у таких умовах, що вимагають спеціальної процедури дезактивації, треба помістити всі забруднені частини системи у придатну для цього ємність та герметично закрити до того моменту, коли буде проводитись процедура дезактивації.

ОБСЛУГОВУВАННЯ

Догляд, обслуговування та ремонт повинен проводити персонал, який пройшов відповідну підготовку.

⚠ Використання неоригінальних запасних частин чи їх модифікації може призвести до загрози життю чи здоров'ю, а також приведе до анулювання всіх гарантій.

Цей респіратор призначений для мінімального обслуговування. Якщо які-небудь компоненти пошкоджені, вони повинні бути знищені і замінені. Всі запасні частини мають бути правильно встановлені.

ЩО	КОЛИ
Загальне обстеження	Перед використанням
	Щомісяця, якщо шолом використовується нерегулярно
Очищення	Після використання

Записи, щодо обслуговування повинні вестись щомісяця у відповідності з нормативними вимогами. Ці записи повинні зберігатись не менш ніж 5 років.

Визначення несправностей

Несправність	Можлива причина	Спосіб усунення
Відсутній повітряний потік	1. Вимкнено зовнішню подачу повітря. 2. Забився шланг подачі стиснутого повітря. 3. Механізм несправний.	1. Увімкніть подачу повітря. 2. Перевірте стан дихального шланга 3. Замініть механізм.
Низький потік повітря (В іншому випадку перевірка потоку)	1. Низький тиск або недостатній обсяг зовнішньої подачі повітря. 2. Пристрій для фільтрування повітря Aircare заблокований (якщо використовується). 3. Механізм несправний.	1. Перевірте тиск та обсяг повітря, що подається. 2. Перевірте пристрій Aircare. 3. Замініть механізм.
Появи запаху	1. Маска погано встановлена або пошкоджена 2. Пристрій для фільтрування повітря Aircare потребує ремонту (якщо використовується). 3. Зовнішнє повітря, що подається, забруднене.	1. Установіть або замініть маску 2. Перевірте пристрій Aircare. 3. Перевірте якість зовнішнього повітря, що подається.

ІНСТРУКЦІ З ОЧИСТКИ

Рекомендується очищувати маску після кожного використання.

Очистіть маску (крім фільтрів) відповідно до інструкції користувача маски.

Використовуйте чисті серветки з тканини, змочені у теплій мильній воді.

Переконайтеся, що внутрішні компоненти сухі перед використанням.

Не опускайте комплект регулятора до води.

Не використовуйте стисле повітря для очищення продукту.

Не використовуйте для чищення будь-яких частин виробу бензин, хлоровані розчини для знежирення (такі як трихлоретилен), органічні розчинники чи суміші для чищення, що мають у своєму складі абразивні частки.

Інформацію про серветки для очищення можна знайти у Технічному листку.

ЗБЕРІГАННЯ Й ТРАНСПОРТУВАННЯ

Обладнання повинно зберігатись в оригінальній упаковці в сухому та чистому місці. Не можна зберігати обладнання під прямим сонячним промінням, біля джерел високої температури, бензину та органічних розчинників.

Зберігайте при температурі повітря від -10°C до +50°C та відносній вологості до 90%.

За умов дотримання наведених вимог, очікуваний термін зберігання становить 5 років від дати виробництва.

Для транспортування виробу використовуйте оригінальну упаковку.

ТЕХНІЧНІ ХАРАКТЕРИСТИКИ

Респіраторний захист

EN14594 Клас 4A/4B у випадку використання з рекомендованою повнолицьовою маскою3M™.

EN14594 Клас 3A/3B у випадку використання з рекомендованою півмаскою3M™.

Маски та дихальні шланги відповідають вимогам по міцності "B" стандарту EN 14594. Вони можуть використовуватись з шлангами подачі повітря, які відповідають вимогам по міцності "B" та "A". Для отримання більш детальної інформації див. розділ "Маркування".

Умови експлуатації

-0 до +40°C при <90 % вологості

Тиск на вході

Діапазон тиску: 3,0 - 7,0 bar

Максимальний тиск: 10 bar

Характеристики подачі повітря

Мінімальний робочий потік повітря – 120 л/хв.

Максимальний потік (5-7 Бар): >310 л/мін.

Максимальний потік (3-5 Бар): 200-310 л/мін.

Максимальне обмеження у використанні

Напівмаска з подачею повітря режим роботи: 50 х Граничне значення.

Повнолицьова маска з подачею повітря режим роботи: 200 х Граничне значення.

При відключенні максимальна концентрація використання буде залежати від рівнів вказаних у Перспектах Інструкціях відповідних фільтрів (наприклад, коли A1 фільтри встановлюються на половину маски, максимальна концентрація використання становитиме 50 х ГДК в повітря, що подається режимі, але тільки 10 х ГДК з повітря при відключенні).

Шланг подачі стисненого повітря (CAST)

Вимога "B" стандарту EN 14594.

Максимальна довжина (Шланг): 30 метрів

Максимальний безпечний для робочий тиск: 10 Бар

СЕРТИФІКАЦІЯ

Ці вироби відповідають вимогам Європейської директиви 89/686/EEC та мають маркування CE.

Сертифікація на відповідність параграфу 10 (випробування типових зразків продукції) та параграфу 11 (перевірка якості відповідно до вимог Євросоюзу) проведена BSI, Kitemark Court, Davy Avenue, Knowlhill, Milton Keynes, MK5 8PP, Великобританія (Акредитований орган 0086).



Molimo vas da pročitate Korisničke upute i Referentni letak u kombinaciji s primjerenim 3M™ Dijelom za lice ili 3M™ Korisničkim uputama za filtar gdje ćete naći informacije o:

Odobrene kombinacije 3M™ Maske za lice i 3M™ Filtri

- rezervni dijelovi
- dodaci

⚠ Posebnu pozornost treba posvetiti upozorenjima, gdje su ista naznačena.

OTPAKIRAVANJE

Vaši 3M™ regulatori opskrbljivača zraka S-200+ treba sadržavati

- a) sklop regulatora (S-212)
- b) cijev za disanje (S-222)
- c) Remen
- d) Preljevanje ventila
- e) Uređaj za provjer protoka (FCB-01)

OPIS

3M™ Regulator opskrbljivača zrakom S-200+ napravljen je da se koristi u kombinaciji sa primjerenim 3M™ dijelom za lice (pogledati referentni letak).

Ovaj proizvod ispunjava zahtjeve norme EN14594 (Zaštitne naprave za disanje – Cijevni uređaj za disanje sa stalnim dotokom stlačenog zraka).

Regulator dovoda kontrolne jedinice je podesiv na struku i odgovara ulaznom priključku te je pomoćni priključak sposoban da prihvati opremu za prskanje boje ili pneumatički alat.

Regulator opskrbe zrakom napravljen je i odobren u dvojnog načinu ili način Opskrbe zrakom sa 3M™ dijelom za lice i filtrima kao što je prikazano u referentnom letku.

Dvojni način

- U ovom načinu, primjerene čestice i/ili filtri za plinsko isparavanje odgovaraju cijevi za disanje.
- Priloženi filtri će pružiti zaštitu kada je opskrba komprimiranim zrakom isključena ili kada veza za opskrbu zraka nije moguća (npr. ulazak i izlazak iz kontaminiranih područja).
- Korisnik mora odabrati filtre koji su pružaju zaštitu od kontaminacije.
- Par identičnih filtera se mora stalno koristiti.
- Učinkovitost para filtera će ovisiti o razini kontaminacije, radnoj stopi, vremenu izloženosti itd. Filtri se moraju zamijeniti kada korisnik uoči provod kontaminiranog zraka okusom i mirisom. Redovita zamjena filtera, prije nego je uočena kontaminacija, izrazito se preporučuje.
- Filtri se moraju zamijeniti kao par i ako kontaminacija nije uočena. UNUTAR 1 mjeseca. Ako sumnjate u iznošenost, uvijek zamijenite filtere novim parom.
- Daljnje upute i upozorenja koja se tiču odabira, upotrebe i zamjene filtera u ovom načinu, mogu se pronaći u Uputama za upotrebu Filtera i Dijelova za lice.
- Višak zraka može strujati kroz filtere, ili na višim postavkama regulatora ili tijekom izdisanja.
- Prekomjerna vlaga u zraku može negativno utjecati na vijek trajanja filtera.
- **Filtri napravljeni za polumaske su namijenjeni isključivo za upotrebu sa 3M Cijevima za disanje kao što je prikazano u Referentnom letku.**

Način opskrbe zrakom

- 3M™ S-200+ skupa sa 3M™ Dijelom za lice sa bajonetnim priključcima mogu se koristiti u načinu opskrbe zrakom, koristeći vanjski izvor kvalitetnog komprimiranog zraka za disanje
- Višak zraka može isticati iz prepunog ventila pri višim postavkama regulatora ili tijekom izdisaja.

⚠ UPOZORENJE

- **Odgovarajući izbor, trening, uporaba i odgovarajuće održavanje su neophodne stavke kako bi proizvod pomogao nosiocu u zaštiti od određenih zagadivača u zraku. Ako ne slijedite sve upute za uporabu ovih proizvoda respiratorne zaštite i/ili ih ne nosite prema propisima, također i proizvod tokom svog vremena izloženosti, može imati suprotan efekt na zdravlje nosioca, dovesti do ozbiljnih oboljenja ili trajne nesposobnosti.**

- Za prilagodjavanje i odgovarajuću uporabu po lokalnoj regulativi, za sve informacije obratite se voditelju zaštite na radu iz lokalnog 3M ureda (3M (EAST) AG Podružnica RH, ŽITNJAK BB, ZAGREB tel.01/2499-789).

Pročitajte uputstva za upotrebu i sačuvajte ih za buduću potrebu.

Koristiti ovaj respiratorni sistem striktno u skladu sa svim uputama:

- - sadržanim u ovoj brošuri,
 - - priloženim drugim komponentama sistema
 - Ne koristite koncentraciju kontaminata višu od onih naznačenih u Tehničkim specifikacijama.
 - Ne koristiti S-seriju za respiratornu zaštitu od nepoznatih atmosferskih zagadivača ili kada su koncentracije zagadivača nepoznate ili opasne po život i zdravlje.
 - Ne koristiti S-seriju u atmosferi koja sadrži manje od 19,5% kisika (3M definicija). Zemlje mogu individualno primjenjivati vlastita ograničenja za pomanjkanje kisika. Potražite savjet ako sumnjate).
 - Koristiti samo sa Dijelom za lice, Filtrima, Rezervnim dijelovima i Dodacima koji su nabrojani u Referentnom letku i u uvjetima uporabe navedenima u Tehničkim specifikacijama.
 - Da koriste samo obučene i kompetentne osobe.
 - Odmah napustiti kontaminiranu prostoriju, ako:
 - a) Ako se bilo koji dijelovi sistema ošteće.
 - b) Protok zraka u masku pada ili prestaje
 - c) Disanje postane otežano.
 - d) Se pojave nesvjesitca ili mučnina.
 - e) Osjetite okus ili miris zagadivača ili dodje do iritacije.
 - Nikada ne prepravljajte ovaj proizvod. Dijelove mjenjajte samo sa originalnim 3M dijelovima.
 - Ne koristite kisik ili zrak obogaćen kisikom.
 - U slučaju namjeravanja korištenja u eksplozivnoj sredini, kontaktirajte 3M tehnički servis.
 - U slučaju uporabe na temperaturama ispod +4°C, potrebno je kontrolirati udio vlage u zraku za disanje radi sprječavanja smrzavanja uređaja.
 - Uvijek provjerite:
 - je li poznat izvor dovoda zraka;
 - je li poznata čistoća dovoda zraka;
 - je li zrak dovoljno kvalitetan za disanje, prema EN12021.
 - Kapacitet zraka na sistemu opskrbljivanja zrakom, dostatan je za svakog korisnika koji je priključen na njega.
 - Ako je namjera staviti u pogon pneumatske dodatke putem vanjskog priključka, potrebno je provjeriti da postoje minimalni uvjeti protoka prema dijelu za lice kada dodatak troši maksimalni protok zraka. Minimalni pritisak koji je potreban kada se koristi alat za zrak je 4,5Bara. Za više informacija o kompatibilnosti Alata za zrak kontaktirajte 3M.
 - **Kada je u upotrebi, proizvod je u mogućnosti proizvoditi veliku buku na uhu. Korisniku bi trebala biti dostupna zaštita za uši.**
 - Pri visokim stepenovima rada, tlak unutar dijela za lice može postati negativan na vrhuncu udisaja.
 - Ovaj proizvod smije se koristiti samo u radnim uvjetima niskog rizika od oštećenja cijevi za dovod stlačenog zraka i s ograničenim pokretima nositelja opreme. Dovod stlačenog zraka treba biti opremljen odgovarajućim nazivnim i adekvatno podesenim sigurnosnim redukcijskim ventilom.
 - Regulator je napunjen s dvostrukom zaštitom. Pazite kada odvajate cijev za disanje i Cijev za opskrbljivanje zrakom. Uvijek pazite da su duple spojke korištene zajedno. Cijev za disanje je označena S-222 i spojke na regulatoru označene su "S", što znači da su dvostruke megre zaštite upotrebljene.
 - Ove jedinice ne mogu se koristiti skupa sa mobilnim sustavom komprimiranja zraka.
 - Ako je uočeno curenje zraka dok je sustav u upotrebi, smjesta napustite kontaminirano područje te ni pod kojim slučajem ne pokušavajte zaustaviti curenje zraka s nekim dijelom tijela.
 - Nemojte uklanjati brtvne prstene, jer to može negativno utjecati na performanse sustava.
- ⚠ Ne koristiti ako ste neobrijeni, zato što u tom slučaju respirator ne može zadovoljavajuće prijanjati uz lice**
- Sustav se ne smije koristiti s priključenim filtrima tamo gdje postoji mogućnost od slučajnog uranjanja u vodu.
 - Ako je jedinica ili filter bila izložena vatri, sustav treba provjeriti i filtre zamijeniti
 - Kod većine korisnika nisu poznate alergijske reakcije na materijale, koji dolaze u kontakt sa kožom.
 - Ne sadrži dijelove od latex gume.

OZNAČAVANJE

Za označavanje dijela za lice koristite primjerene korisničke upute. S-212Regulator je označen s EN14594 4B i EN14594 3B i datumom proizvodnje.

Cijev za opskrbu komprimiranim zrakom je označen EN14594. Također su označeni na sljedeći način:

308-00-40P je označen "A" - prigodno za upotrebu s uređajima A Klase (EN14594).

308-00-72P je označen kao "Otporan na vrućinu" i "Antistatičan".

PRIPREMA ZA UPOTREBU

Provjerite da li je uređaj kompletan, neoštećen i korektno montiran. Neka oštećenja ili defektni dijelovi moraju biti zamjenjeni sa originalnim 3M dijelovima prije korištenja. Pogledajte tehničku specifikaciju za dužinu crijeva za disanje.

Poduzmite provjere prije korištenja kao što je naznačeno u uputama za korisnike.

Provjerite da li su brtveni prstenovi na mjestu prije upotrebe.

Provjerite da li je utičnica pravilno namještena i zamjenjena poslije upotrebe.

Sastavljanje

1. Namjestite remen na regulator kao što je prikazano na Slici 1.
2. Namjestite cijev za disanje na regulator kao što je prikazano na Slici 2.
3. Namjestite cijev za disanje na dio za lice kao što je prikazano na Slici 3.

NAPOMENA: Obratite pozornost da je 3M simbol na "Y" dijelu cijevi za disanje okrenut prema gore kako bi osigurali ispravni položaj cijevi za disanje.

4. Ako se sustav koristi u načinu OPSKRBE ZRAKOM, tada PREPUNI VENTILI MORAJU PRISTAJATI na cijev za disanje (Vidi sliku 4). Ako se sustav koristi u DVOJNOM načinu, tada par pravinih filtera MORAJU PRISTAJATI na cijev za disanje (Vidi sliku 5).

5. Spojite cijev za dovod stlačenog zraka između dodatne jedinice za filtriranje zraka 3M Aircare i regulatora S-200+, vodeći računa o tome da tlak u jedinici za filtriranje zraka bude podešen kao što je opisano u poglavlju Tehničke specifikacije.

6. Prije upotrebe, pravilno namjestite regulator na najmanji protok postavki i provjerite protok zraka koristeći vrećicu protoka zraka (Vidi sliku 6). Pazite da ste dobro zatvorili vrećicu sa rukom oko otvora.

UPUSTVO ZA PUŠTANJE U RAD

IZVOĐENJE

1. Namjestite i zavezite remen na struku sa regulatorom tako da dobro prijanja oko vašeg struka.
2. Namjestite i prilagodite dio za lice kao što je naznačeno u primjerenim uputama za upotrebu.
3. Pazite da je osiguran minimalni protok zraka u dio za lice i prilagodite protok zraka na regulatoru za maksimalni komfor.

UPOTREBA

Ako se tokom korištenja prekine dotok zraka ili se smanji, odmah napustiti kontaminiranu okolinu i ispitajte uzrok.

Pažljivo zaštitite crijevo za disanje od mogućih savijanja oko stvari koje izviruju. Ako se to desi, odmah napustiti kontaminiranu okolinu i provjeriti da li je uređaj neoštećen.

Vijek trajanja proizvoda će varirati s frekvencijom i uvjetima korištenja.

U svakodnevnoj uporabi, preporučuje se da se proizvod odbaci poslije otprilike 5 godina usluge, pod uvjetom da se proizvod skladišti i održava kao što je navedeno u nastavku.

Neki ekstremni uvjeti mogu rezultirati pogoršanjem u kraćem razdoblju.

ISKLJUČENJE

Ne uklanjajte dio za lice, filtere ili isključite zračnu jedinicu dok ne ispraznite kontaminirajuće područje.

1. Uklonite dio za lice, u skladu s važećim uputama za korisnike.
2. Odvojite komprimiranu cijev za zrak od regulatora.
3. Otkopčajte pojas.

UPOZORENJE

Ne odvajajte cijev za disanje od regulatora dok je sistem pod tlakom jer može dovesti do ispuštanja visokotlačnog zraka.

Ako se respirator koristi u okolini gdje su zagađivači supstance, koje zahtijevaju specijalne postupke dekontaminacije, trebaju se staviti u odgovarajuće kontejnere i zatvoriti sve dok to ne bude dekontaminirano ili odbačeno.

ODRŽAVANJE

Održavanje, servisiranje i popravku mora obavljati samo obučena, ovlaštena osoba.

⚠ Potrebna neodgovarajućih dijelova ili neautorizirano prilagodavanje može rezultirati opasnošću po život ili zdravlje i može dovesti do invaliditeta.

Ovaj respirator je dizajniran za minimalno održavanje. Ako su neki dijelovi oštećeni, oni bi trebali biti odbačeni i zamijenjeni. Svi zamjenski dijelovi moraju biti ispravno instalirani.

ŠTA	KADA
Opći Pregled	Prije upotrebe Mesečno, ako nije u regularnoj upotrebi
Čišćenje	Poslije upotrebe

Dokument o održavanju treba se provjeravati mjesečno u skladu sa zdravstvenom i zaštitnom regulativom. Podatak se treba čuvati bar 5 godina.

TRAŽENJE GREŠKE

Simptom	Mogući uzrok	Rješenje
Nema protoka zraka	1. Dovod vanjskog zraka je isključen 2. Cijev za dovod stlačenog zraka je začepljena ili prekinuta 3. Jedinica je neispravna	1. Uključite dovod 2. Provjerite dovodnu cijev 3. Zamijenite jedinicu
Niski protok zraka (Neuspjela provjera protoka)	1. Nizak dovodni tlak ili protok vanjskog zraka 2. Začepljena jedinica za filtriranje zraka – Aircare (ako se koristi) 3. Jedinica je neispravna	1. Provjerite dovodni tlak i protok 2. Provjerite jedinicu Aircare 3. Zamijenite jedinicu Aircare
Otkriveni miris	1. Dio za lice je loše namješten ili oštećen 2. Jedinica za filtriranje zraka – Aircare (ako se koristi) zahtijeva održavanje 3. Zagađen dovod vanjskog zraka	1. Ponovo namjestite ili zamjenite dio za lice 2. Provjerite jedinicu Aircare 3. Provjerite kvalitetu vanjskog dovoda

UPUTE ZA ODRŽAVANJE

Čišćenje je prporučeno poslije svake upotrebe

Očistite dio za lice (isključujući filtre) u skladu s uputama za upotrebu dijela za lice.

Upotrebite čistu krpu, natopljenu blagim rastvorom vode i tečnog sapuna.

Pazite da je unutrašnjost komponenti suha prije upotrebe.

Ne uranjajte skup regulatora u vodu.

Ne upotrebljavajte komprimirani zrak za čišćenje proizvoda.

Ne koristiti naftu, klorirane, nagrizajuće tekućine (takve kao trikloretilen), organske rastvarače ili abrazivne agense za čišćenje prilikom čišćenja opreme.

Za dezinfekciju koristite higijenske maramice kao što je opisano u letku-napomeni.

SKLADIŠTENJE I TRANSPORT

Ovi proizvodi se trebaju skladištiti u odgovarajućim pakiranjima, u suhim, čistim uvjetima ne izloženi od direktno sunčeve svjetlosti, izvora visokih temperatura nafte i para rastvarača.

Ne spremajte na mjesta izvan raspona temperature 10 °C do +50 °C ili vlažnosti iznad 90 %.

Kada je propisano uskladišten, očekivana trajnost proizvoda je 5 godina od dana proizvodnje

Originalno pakiranje je odgovarajuće za transport kroz Europsku Uniju.

TEHNIČKA SPECIFIKACIJA

Respiratorna Zaštita

EN14594 Klasa 4A/4B kada je kombinirana s odobrenim 3M™ punim dijelom za lice.

EN14594 Klasa 3A/3B kada je kombiniran s odobrenom 3M™ Polumaskom. Dio za lice i cijev za disanje ispunjavaju potrebu veće snage (B) od EN14594. Oni su odobreni za korištenje s velikim brojem cijevi za opskrbu komprimiranim zrakom koji ispunjavaju uvjete i za niži i za višu snagu (A i B). Pogledajte dio sa Oznakama opreme za više informacija.

Uvjeti rada

-0 do +40°C i <90 % vlažnosti

Tlak ulaza

Raspon tlaka: 3,0 - 7,0 bara

Maksimalni tlak: 10 bara

Karakteristike curenja

Minimalni dizajn od proizvođača (MMDF) 120 l/min

Maksimalni protok (5-7 Bara): >310 l/min

Maksimalni protok (3-5 Bar): 200-310 l/min

Maksimalni limit upotrebe

Polumaska u načinu opskrbe zrakom: 50 x Limitirani prag vrijednosti.

Puna maska za lice u načinu opskrbe zrakom: 200 x Limitirani prag vrijednosti.

Kada je isključen Maksimalna koncentracija korištenja ovisit će o razini naznačenoj u važećim Instrukcijama za upotrebu filtara (npr. Kada A1 filtri pristaju na polumasku, maksimalna koncentracija korištenja biti će 50 x TLV u načinu opskrbe zrakom, ali samo 10 x TLV kada je zrak isključen).

Cijev za pohranu komprimiranog zraka (CAST)

Standardna dužnost prema EN14594 "B".

Maskimalna dužina (CAST): 30 metara

Maskimalni tlak rada: 10 Bara

ODOBRENJA

Ovi proizvodi zadovoljavaju zahtjeve Direktive Europske unije 89/686/EEC (Direktiva za osobnu zaštitnu opremu) tako da su označeni CE znakom. Certificiranje prema članku 10, EC tipsko ispitivanje i članku 11, EC kvaliteta kontrole, obavio je BSI, Kitemark Court, Davy Avenue, Knowlhill, Milton Keynes, MK5 8PP, UK (Nadležno tijelo broj 0086).



Моля, прочетете тези потребителски инструкции и референтна брошура във връзка с подходящите потребителски инструкции за 3М™ лицева част или 3М™ филтър, където ще намерите информация за:

Одобрена комбинация на 3М™ лицеви маски и 3М™ филтри

- Резервни части
- Аксесоари

⚠ Специално внимание трябва да се обърне на обозначените предупреждения.

РАЗОПАКОВАНЕ

Вашият 3М™ регулатор със система за принудително подаване на състен въздух S-200+ трябва да съдържа:

- а) Регулатор (S-212)
- б) Дихателна тръба (S-222)
- в) Колан
- г) Издишаш клапан
- е) Устройство за проверка на потока (FCB-01)

ОПИСАНИЕ НА СИСТЕМАТА

3М™ Регулаторът със система за принудително подаване на състен въздух S-200+ е проектиран за употреба с одобрени 3М™ лицеви части (Вижте референтните брошури).

Този продукт отговаря на изискванията на EN14594 (Средства за защита на дихателните органи – Дихателни апарати с подаване на състен въздух от линия с непрекъснат поток).

Нагласете регулатора / системата за контрол на потока на кръста и поставете заедно със спомагателни изходни отвори в състояние на приемане на оборудване за пръскане на боя или пневматични инструменти.

Регулаторът със система за подаване на въздух е проектиран и одобрен да работи в двоен режим или в режим на доставяне на въздух с 3М™ Лицеви части и филтри показани в референтната брошура.

Двоен режим

- В този режим, подходящите филтри срещу прахови частици и / или срещу газ и пара са монтирани на дихателната тръба.
- Прикачените филтри ще осигуряват защита, когато подаването на състен въздух е изключено или когато връзката за подаване на въздух не е възможна (например при влизане и излизане от заразени площи).
- Потребителят трябва да избере филтри, способни да осигурят защита срещу замърсителя.
- Двойка от еднакви филтри трябва да се използва през цялото време.
- Ефективният живот на една двойка филтри ще варира в зависимост от нивото на замърсител, ритъм на работа, време на експозиция, филтри и т.н. трябва да бъдат заменени, когато потребителя, който го носи, може да усети пробив от замърсителя като промяна на вкус или мирис. Редовната подмяна на филтъра, преди откриването на всеки замърсител е силно препоръчително.
- Филтрите трябва да се заменят като двойка, дори ако не е открит замърсител, в рамките на 1 месец. Ако имате съмнения, винаги сменяйте филтрите с нов чифт.
- Допълнителни указания и предупреждения във връзка с подбора, използването и подмяна на филтри в този режим, ще бъдат открити в потребителските инструкции за Филтри и Лицеви части.
- Излишния въздушен поток, за да премине през филтрите, или по-високи настройки на регулатор или по време на издишване.
- Излишната влага в потока на въздух може да повлияе неблагоприятно на живота на филтъра.
- **Само филтри, предназначени за полумаски, може да се използват с дихателната тръба на 3М, както е показано в референтната брошура.**

Режим с подаване на въздух

- 3М™ Регулаторът със система за подаване на въздух S-200+ заедно с 3М™ лицеви части с байонетна система за окачване могат да се използват в режим на подаване на въздух, използвайки външен източник на качествен състен въздух.
- Излишният въздух да потече през издишашите вентили на по-високи настройки на регулатора или по време на издишване.

⚠ ВНИМАНИЕ

• **Правилният избор, обучение, употреба и поддръжка са необходими, за да може продуктът да защити потребителя от определени въздушнопереносими замърсители. Неспазването на всички инструкции за употребата на тези продукти за респираторна защита и/или липсата на правилно носене на целия продукт по време на излагане на замърсителите, може да увреди здравето на потребителя, да доведе до сериозно или животозастрашаващо заболяване или постоянна инвалидност.**

• За приложимост в конкретни условия и правилна употреба, следвайте Българското законодателство в областта на безопасността, вземете под внимание цялата предоставена информация, контактувайте с Отговорника по безопасността или представител на 3М. 3М България ЕООД, Бизнес Парк София, сграда 4, етаж 2, София 1766, тел: 02/960 19 11

За справка вижте всички инструкции за употреба и безопасност.

При употреба на тази респираторна система спазвайте стриктно всички инструкции:

- съдържащи се в настоящите инструкции за употреба
 - придружаващи други компоненти на системата
 - Да не се използва при концентрации или при неизвестни или непосредствено опасни за живота и здравето концентрации на замърсители.
 - Не използвайте за респираторна защита срещу неизвестни атмосферни замърсители или при неизвестни или непосредствено опасни за живота и здравето концентрации на замърсители.
 - Не използвайте в атмосфера със съдържание на кислород по-малко от 19.5%. (По определение на 3М. Отделните държави могат да определят собствени граници на кислородния дефицит. Потърсете съвет при съмнение.)
 - Използвайте само с лицеви части, филтрите, резервните части и аксесоари, изброени в Референтната брошура и в рамките на условията за ползване, дадени в техническата спецификация.
 - Да се използват само от обучен и компетентен персонал.
 - Веднага напуснете замърсената зона при:
 - а) повреда, в която и да е част на системата;
 - б) намаляване или спиране на въздушния поток в лицевата част;
 - в) затруднено дишане;
 - г) поява на замаяност или дискомфорт;
 - е) ако усетите замърсители с органично на обоняние или вкус или се появи друг вид дразнене.
 - Не променяйте и не поправяйте продукта. За смяна използвайте само оригинални резервни части на 3М.
 - Не използвайте в бедна или обогатена на кислород среда.
 - При намерение за употреба в експлозивна среда, се свържете с Техническият отдел на 3М.
 - Когато се използва при температури под +4°C, влажността на въздуха за дишане трябва да се контролира, за да се избегне замързване на апарата.
 - Винаги се уверявайте, че:
 - източникът на въздух е известен;
 - чистотата на доставяния въздух е известна;
 - оставеният въздух е с качество, годно за дишане, за EN12021.
 - Уверете се, че обеят на подадения въздух от системите е достатъчен за всички, които са свързани с нея.
 - Ако той е предназначен за управлява пневматични аксесоари чрез спомагателен порт, винаги трябва да се гарантира, че отговаря поне на минималните условия за подаване на поток към лицевата част са изпълнени, когато аксесоарът е консумиран, изискванията за максимален въздушен поток трябва да се изпълняват.
- Минималното необходимо налягане при използване на пневматични инструменти е4,5 Бара. За повече информация за съвместимост с пневматични инструменти, моля свържете се с 3М

• **При употреба, продукт може да генерира високи нива на шум при ушите. Изиска се предоставяне на ЛП С за защита на слуха.**

- С много високи темпове на работа, налягането вътре в лицевата част може да стане отрицателно в пиковите вдишвания.
 - Този продукт трябва да се използва само при работни условия, при които рискът от повреда на тръбата за състен въздух е минимален и когато движенията на ползвателя са ограничени. Устройството за подаване на състен въздух трябва да бъде оборудвано с подobaващо сертифициран и регулиран предпазен клапан за освобождаване на напрежение.
 - Регулаторът е оборудван с двойнодестащи връзки. Внимавайте при разкачане. Винаги се уверявайте, че двойнодействащите връзки се използват заедно. Дихателната тръба, маркирана с S-222 и връзката на регулатора маркиран с S за указване на използването на двойнодействащите връзки.
 - Тези продукти не могат да се употребят с мобилна система за подаване на компресиран въздух.
 - Ако откриете някакви въздушни течове, докато системата е в употреба, незабавно напуснете заразения район и при никакви обстоятелства не се опитвайте да спрете теча с някоя част на тялото си.
 - Не сваляйте уплътнителните пръстени, тъй като това може негативно да повлияе на функционирането на системата.
- ⚠ Не използвайте с брада или друго лицево окосмение, което би възпрепятствало доброто уплътнение на лицето с продукта.**
- Системата не трябва да се използва с приложените филтри, когато е налице възможността за инцидентно потапяне във вода.
 - Системата трябва да бъде проверена и да се заменят филтрите, ако се налага системата или филтрите да бъдат изложени на пламъци.
 - Не е известно материалите, които могат да влязат в контакт с кожата на потребителя да причиняват алергични реакции.
 - Този продукт не съдържа елементи направени от естествен латекс.

МАРКИРОВКА

За маркировка на лицевите части, моля, вижте подходящите инструкции за потребителя.

Регулаторът S-212 е маркиран според EN 14594 4B и EN14594 3B и с дата на производство.

Маркуните за компресиран въздух са маркирани според EN14594, а също така:

308-00-40P е маркиран с A - подходящ за използване с устройства клас A (EN14594)

308-00-72P е маркиран като топлоустойчив и антистатичен

ПОДГОТОВКА ЗА УПОТРЕБА

Проверете дали устройството е напълно и правилно сглобено и неповредено. Всяка повредена или дефектна част трябва да бъде сменена само с оригинални резервни части на 3M.

Предприемете предварително проверки преди употреба за лицевата част, както е посочено в съответните инструкции за потребителя.

Уверете се, че уплътнителните пръстени са на място си, преди да използвате.

Уверете се, че аксесоара антифон е монтиран и заменен правилно след употреба.

Сглобяване

1. Поставете колана към регулатора, както е показано на фигура 1.
2. Поставете дихателната тръба към регулатора, както е показано на фигура 2.
3. Поставете дихателната тръба към лицевата част, както е показано на фигура 3.

ЗАБЕЛЕЖКА: Уверете се , че символа 3M на У-образната тръба е насочен нагоре за осигуряване на правилно позициониране на тръбата.

4. Ако системата се използва в режим при подаване на въздух, тогава двойката ИЗДИШАЩИ ВЕНТИЛИ ТРЯБВА ДА СЕ ПОСТАВЯТ към дихателната тръба (Вижте фигура 4). Ако системата се използва в ДВОЕН РЕЖИМ, тогава двойката ПРАВИЛНИ ФИЛТРИ ТРЯБВА ДА СЕ ПОСТАВЯТ към дихателната тръба (Вижте фигура 5).

5. Свържете тръбата за състен въздух с опционалното устройство за филтриране на въздуха 3M Aircare - Air Filtration Unit и регулатора S-200+, като се уверите, че налягането във устройството за филтриране на въздуха е регулирано както е описано в раздел с

техническите спецификации.

6. Преди употреба настройте регулатора, като го сложите на позиция на най-слабия въздушен поток и извършете проверка на въздушния поток, използвайки торба за проверка (Вижте фигура 6). Уверете се, че се образува добро уплътняване с ръката ви около отвората на чантата.

ИНСТРУКЦИИ ЗА РАБОТА ПОСТАВЯНЕ

1. Настройте и катарамата на колана на талията, с регулатора, поставени комфортно около талията.

2. Регулирайте и поставете лицевата част, както е посочено в подходящата инструкция за потребителя.

3. Уверете се, че поне минималния въздушен поток в лицевите части се постига и се регулира въздушния поток чрез регулатора за максимален комфорт.

ПРИ УПОТРЕБА

Ако по време на употреба притокът на въздух спре или намалее, напуснете замърсената среда и разследвайте причината.

Уверете се, че дихателната тръба няма да се увие около изпъкнали обекти. Ако това се случи, веднага напуснете замърсената среда и проверете дали системата не е повредена.

Експлоатационният живот на модула зависи от честотата и условията на употреба.

При ежедневна употреба, се препоръчва продуктът да излезе от употреба след приблизително 5 години употреба, при условие, че продуктът се съхранява и поддържа, както е посочено по-долу. Употреба в екстремни условия може да намали експлоатационния период.

СВАЛЯНЕ

не отстранявайте лицевата част, филтрите и не изключвайте системата за подаване на въздух докато не напуснете замърсената зона.

1. Отстранете лицевата част, в съответствие със свързаните потребителски инструкции.
2. Откачете тръбата за подаване на състен въздух от регулатора.
3. Разколпчете колана.

ЗАБЕЛЕЖКА

Не разкачайте дихателната тръба от регулатора, докато системата е вод налягане, тъй като това може да доведе до изпускане на въздух под високо налягане.

Ако сте използвали респиратора в среда, която е довела до замърсяването му с вещества, изискващи специална процедура за почистване, поставете респиратора в подходящ контейнер и запечатайте до почистването или изхвърлянето му.

ПОДДРЪЖКА

Поддръжката, ремонтването или поправката трябва да се извършва само от добре обучен персонал.

⚠ Използването на неободени части или неоторизирани модификации може да доведе до опасност за живота или здравето и да направи гаранцията невалидна.

Този респиратор е проектиран за минимална поддръжка. Ако всички компоненти са повредени, те трябва да се изхвърлят и да се заменят. Всички резервни части, трябва да бъдат правилно инсталирани.

КАКВО	КОГА
Основна проверка	Преди употреба
	Месечна проверка, ако не използвате често
Почистване	След употреба

Разпоредбите за безопасност и здраве изискват воденето на ежемесечен протокол за поддръжка, който трябва да се пази поне 5 години.

ЗАСИЧАНЕ НА ПРОБЛЕМИ

Симптом	Възможна причина	Решение
Липсва въздушен поток	<ol style="list-style-type: none"> 1. Външното подаване на въздух е изключено 2. Тръбата за състен въздух е блокирана или заклещена 3. Устройството е дефектно 	<ol style="list-style-type: none"> 1. Включете подаването 2. Проверете подаващата тръба 3. Заменете устройството
Слаб въздушен поток (провалена проверка на потока)	<ol style="list-style-type: none"> 1. Ниско налягане или слаб въздушен поток на външното подаване на въздух 2. Устройството за филтриране на въздуха Aircare – е блокирано (ако се използва) 3. Устройството е дефектно 	<ol style="list-style-type: none"> 1. Проверете налягането и въздушния поток на подаването 2. Проверете устройството Aircare 3. Заменете устройството
Засичане на миризма	<ol style="list-style-type: none"> 1. Лицевата част е лошо монтирана или повредена 2. Устройството за филтриране на въздуха Aircare има нужда от поддръжка (ако се използва) 3. Външното подаване на въздух е замърсено 	<ol style="list-style-type: none"> 1. Поставете отново или заменете лицевата част 2. Проверете устройството Aircare 3. Проверете качеството на външното подаване

ниските и на по-високите изисквания за здравина (А и В). Моля, погледнете секцията за маркиране на екипировката.

Условия на работа

-0 до +40°C и <90 % влажност

Впускателен отвор за налягане

Обхват на налягането: 3,0 - 7,0 бара

Максимално налягане: 10 бар

Характеристики на въздушния поток

Гарантиран от производителя минимален поток (MMDF) 120 л/мин.

Максимален поток (5-7 Бара): >310 л/мин.

Максимален поток (3-5 Бара): 200-310 л/мин.

Ограничения при употреба

Полумаска в режим на подаване на въздух: 50 х Гранична стойност.

Цяла лицева част в режим на подаване на въздух: 200 х Гранична стойност.

Когато е изключен максималната работна концентрация ще зависи от нивата, посочени в съответната брошура с инструкции за филтъра (напр. Когато А1 филтри са монтирани на полупълна маска, максималната концентрация ще бъде 50 х ГС в режим при подаване на въздух, но само 10 х ГС при липса на въздушен поток).

Тръба за компресиран въздух (CAST)

Стандартно според EN 14594 "B".

Максимална дължина (CAST): 30 метри

Максимално безопасно работно налягане: 10 Бара

ОДОБРЕНИЯ

Тези продукти отговарят на изискванията на Директива 89/686/ЕЕС на Европейската Комисия (Директива за ЛПС) и съответно са маркирани със знака CE.

Сертификат по член 10, „Типова проверка за EO“ и член 11, „Качествен контрол за EO“ е издаден от BSI, Kitemark Court, Davy Avenue, Knowlhill, Milton Keynes, MK5 8PP, UK (Нотифициращ орган 0086).

ИНСТРУКЦИИ ЗА ПОЧИСТВАНЕ

След всяка употреба се препоръчва почистване.

Почистете лицевата част (с изключение на филтрите) в съответствие с потребителските инструкции за лицеви части.

За почистване използвайте чиста кърпа, напоена с мек сапунен разтвор.

Уверете се, че вътрешността на компонентите са сухи преди употреба.

Не потапяйте монтирания регулатор във вода.

Не използвайте състен въздух за почистване на продукта.

Не използвайте петролни или хлорирани обезмасляващи течности (като трихлоретилен), органични разтворители или абразивни почистващи вещества за почистване на която и да е част на системата.

За дезинфекция използвайте кърпички, както е посочено в информационната листовка.

СЪХРАНЕНИЕ И ТРАНСПОРТИРАНЕ

Съхранявайте продуктите в оригиналните опаковки в сухи и чисти помещения, далеч от пряка слънчева светлина, източници на висока температура, бензин и пари от разтворител.

Не съхранявайте на открито при температури от -10°C до +50°C или при влажност на въздуха над 90%.

При правилно съхранение, обичайният срок на годност на продукта е 5 години от датата на производство.

Оригиналната опаковка е подходяща за транспортиране на продукта в границите на Европейския съюз.

ТЕХНИЧЕСКА СПЕЦИФИКАЦИЯ

Респираторна защита

EN14594 Клас 4A/4B когато се използва с одобрена цялолицева маска 3M™

EN14594 Клас 3A/3B когато се използва с одобрена цялолицева маска 3M™

Лицевите части и дихателните тръби отговарят на най-високите изисквания (В) на EN 14594. Одобрени са за използване с гама маркучи за доставяне на компресиран въздух, които отговарят и на



Molimo čitajte ovo upustvo za upotrebu i referentni liflet zajedno sa odgovarajućim upustvom za 3M™ masku ili 3M™ filter , gde ćete naći informaciju o:

odobrenim kombinacijama 3M™ maski i 3M™ filtera

- Zamenljivim delovima
- Priboru

⚠ Posebno obratiti pažnju gde postoje upozorenja.

RASPAKIVANJE

Vas3M™ Supplied Air Regulator S-200+ - regulator za dovod vazduha treba da sadrži:

- Regulator vazduha S-212
- Cev za disanje S-222
- opasač
- prelivni ventili
- Uređaj za proveru protoka FCB-01

OPIS SISTEMA

3M™ Supplied Air Regulator S-200+ regulator za dovod vazduha je dizajniran da se koristi zajedno sa odobrenim 3M™ respiratorom (pogledati referentni liflet).

Ovaj proizvod zadovoljava zahteve EN14594 (Respiratori zaštitni uređaji – aparat za disanje sa linijom za neprekidni protok komprimovanog vazduha). Jedinica – regulator za kontrolu protoka je montirana na struku i opremljena sa ulazom i pomoćnim ulaznim portom sposobnim za povezivanje sa opremom za bojenje ili pneumatski alat.

Regulator za dovod vazduha je dizajnirana i odobrena za upotrebu u dual-modu ili modu za dovod vazduha sa 3M™ respiratorima i filterima prikazanim u referentnom lifletu.

Dual-mod

- U ovom modu, odgovarajući čestični i/ili gasni i filteri za pare su namešteni na crevo za disanje.
- Priloženi filteri će obezbediti zaštitu kada je prekinuto snabdevanje komprimovanim vazduhom ili kada veza sa snabdevanjem vazduhom nije moguća (npr. kada ulazite ili izlazite iz kontaminirane oblasti).
- Korisnik mora izabrati filtere sposobne da obezbede zaštitu od zagadivača.
- Par identičnih filtera mora se koristiti sve vreme.
- Efektivni život para filtera će varirati u zavisnosti od nivoa zagadjenosti, tipa rada, vremena izlaganja itd. Filteri treba da se zamene kada korisnik primeti ukus ili miris zagadivača. Redovna zamena filtera se preporučuje i pre nego što se oseti zagadivač.
- Filteri se moraju zameniti u paru ,čak i ako se ne primeti zagadivač u roku od mesec dana. Ako ste u neodmici uvek zamenite par filtera sa novim parom.
- Dalje instrukcije i upozorenja u pogledu izbora, upotrebe i zamene filtera u ovom modu ćete naći u upustvu za upotrebu respiratora i filtera.
- Višak vazduha može isteći kroz filtere pri višem postavljenju na filteru ili tokom izdisanja.
- Višak vlage u vazduhu može uticati na vek trajanja filtera.
- **Samo filteri dizajnirani za polu-maske mogu se koristiti sa 3M crevom za disanje , kako je pokazano u referentnom lifletu.**

Mod snabdevanja vazduha

- 3M™ Supplied Air Regulator S-200+ regulator za snabdevanje vazduha zajedno sa 3M™ respiratorom sa bajonet konektorima mogu se koristiti u modu snabdevanja vazduhom, koristeći spoljašnji izvor kvalitetnog, komprimovanog vazduha za disanje.
- Višak vazduha može oteći prelivnim ventilima pri višem postavljenju regulatora ili tokom izdisanja.

⚠ UPOZORENJE !

- **Pravi izbor, obuka, upotreba i odgovarajuće održavanje su suština da bi proizvod zaštitio korisnika od zagadivača u vazduhu. Ako ne sledite sve instrukcije o upotrebi ovih respiratora i/ili ne nosite ih tokom svog perioda izloženosti, može doći do uticaja na zdravlje korisnika, dovesti do oboljenja ili stalne nesposobnosti.**
- Za odgovarajuću i pravilnu upotrebu slediti lokalnu regulativu, u vezi sa svim dostavljenim informacijama ili kontaktirati osobu za bezbednost/Predstavništvo 3M (EAST) AG Beograd Milutina Milankovića 23, 11 070 Beograd, SRBIJA Tel.+381 11 2209 400 Fax.+381 11 2209 444 e-mail:innovation.yu@mmm.com

Pogledati sve instrukcije za upotrebu i sačuvati tokom perioda upotrebe proizvoda.

Koristite ovaj respiratorni sistem strogo u skladu sa svim instrukcijama.

- • sadržanim u ovoj brošuri,
 - • zajedno sa drugim delovima sistema
 - Ne koristite pri koncentracijama iznad specificiranih u tehničkoj specifikaciji.
 - Ne koristite za respiratoru zaštitu od nepoznatih atmosferskih zagadivača ili kada su koncentracije zagadivača nepoznate ili opasne po život i zdravlje.
 - Ne koristiti u atmosferi koja sadrži manje od 19,5% kiseonika.(3M definicija. Zemlje mogu primenivati sopstvena ograničenja za deficit kiseonika.Tražite savet, ako ste u neodmici).
 - Koristite samo sa respiratorima, filterima, rezervnim delovima i priborom navedenim u referentnom lifletu i pri uslovima upotrebe datim u tehničkoj specifikaciji.
 - Mogu koristiti samo obučene osobe.
 - Odmah napustiti kontaminiranu oblast ako:
 - a) Neki deo sistema se ošteti.
 - b) Protok vazduha se smanji ili prestane.
 - c) -disanje postano otežano
 - d) Pojavi se nesvesnica ili druge neprijatnosti.
 - e) Osetite miris ili ukus zagadivača ili dodje do iritacije.
 - Nikada ne modifikujte ili menjajte ovaj proizvod. Zamenite samo sa originalnim 3M delovima.
 - Ne koristite kiseonik ili vazduh obogaćen kiseonikom.
 - U slučaju da nameravate da koristite u eksplozivnoj sredini, kontaktirajte 3M tehnički servis.
 - Kada se koristi na temperaturama ispod +4°C, sadržaj vlage u vazduhu za disanje treba da se kontroliše kako bi se izbeglo zamrzavanje aparata.
 - Uvek proverite da:
 - izvor dotoka vazduha bude poznat;
 - čistoća dotoka vazduha bude poznata;
 - dotok vazduha je kvaliteta za disanje, za EN12021.
 - Obezbedite dovoljan kapacitet sistema za snabdevanje vazduhom prilikom svakog povezivanja sa njim.
 - Ako nameravate da koristite pneumatski pribor preko pomoćnog porta , uvek obezbedite bar minimalni protok vazduha respiratoru kada pribor troši maksimalni,zahtevani protok vazduha.
- Minimalan zahtevani pritisak kada se koristi vazdušni uređaj je4,5 bar. Za više informacija o Vazdušnom uređaju molimo vas da kontaktirate 3M.
- **Kada se koristi, ovaj proizvod može proizvesti buku u ušima. Zaštitna sluha treba da bude dostupna po zahtevu.**
 - Pri veoma visokom radnom tempu, pritisak u respiratoru može postati negativan pri najvišem usisnom toku.
 - Ovaj proizvod treba da se koristi samo u radnim situacijama gde je rizik od oštećenja cevi za dotok kompresovanog vazduha mali i gde je ograničeno kretanje osobe koja nosi proizvod. Uređaj za dotok komprimovanog vazduha treba da bude opremljen sa odgovarajućim nazivnim i prilagodljivim sigurnosnim ventilom.
 - Regulator je opremljen sa dvostrukom sigurnosnom spojnicom. Vodite računa kada isključujete cev za disanje i cev za dotok komprimovanog vazduha. Uvek osigurajte da se dvostruka sigurnosna spojnica koristi zajedno. Cev za disanje je označena sa S-222 i spojnica na regulatoru je označena sa S kako bi se naznačilo da se koristi dvostruko sigurnosno pristajanje.
 - Ove jedinice nisu bile korišćene sa mobilnim sistemom za snabdevanje komprimovanim vazduhom.
 - Ako se primeti curenje vazduha dok je sistem u upotrebi, odmah napustite zagadjenju oblast i ni pod kakvim uslovima ne pokušavajte da zaustavite curenje nekim delom tela.
 - Ne uklanjajte zaptivne prstenove jer to može delovati na performanse sistema.

⚠ Ne koristiti ako ste neobrijani jer respirator tada ne može dobro prijanjati na lice.

- Sistem sa pričvršćenim filterima ne sme se koristiti gde postoji mogućnost slučajnog uranjanja u vodu.
- Sistem treba da se prover i filteri zamene ako je jedinica ili filteri bili izloženi plamenu.

- Nema saznanja da materijali koji dolaze u kontakt sa kožom korisnika prouzrokuju alergije na većini korisnika.
- Ovaj proizvod ne sadrži komponente od prirodne gume,lateksa.

ONZAČAVANJE

Za označavanje respiratora, molimo pogledajte odgovarajuće upustvo za upotrebu.

S-212 Regulator je označen sa EN14594 4B i EN14594 3B i sa datumom proizvodnje.

Cev za dotok komprimovanog vazduha je označena sa EN14594. Takođe je označen i sa:

308-00-40P je označen sa A - odgovarajuće za upotrebu sa uređajima klase AEN14594.

308-00-72P je označen sa Heat Resistant (Otporno na toplotu) i Anti Static (antistatično).

PRIPREMA ZA UPOTREBU

Proveriti da je uređaj kompleatan, neoštećen i korektno kompletno. Oštećenja ili neodgovarajući delovi moraju biti zamenjeni sa originalnim 3M delovima.

Unapred proveriti upustvo respiratora kao što je opisano u odgovarajućem upustvu za upotrebu.

Obezbedite da su prstenovi za zaptivanje na mestu pre upotrebe.

Obezbedite da je dodatni zaptivač namešten i korektno zamenjen posle upotrebe.

Montaža

1. Nameštite opasač sa regulatorom, kako je prikazano na slici 1.
2. Nameštite crevo za disanje na regulator kako je prikazano na slici 2.
3. Nameštite crevo za disanje na respirator, kako je prikazano na slici 3.

PAŽNJA: Osigurajte da je 3M simbol na Y delu cevi za disanje okrenut na gore kako bi se obezbedilo pravilno pristajanje cevi za disanje.

4. Ako se sistem koristi u SUPPLIED AIR MODE-modu za snabdevanje vazduhom, tada par prelivnih ventila mora biti ugrađen na crevo za disanje (videti sliku 4). Ako se sistem koristi u DUAL MODE-dual modu, tada par korektnih filtera mora se ugraditi na crevo za disanje (videti sliku 5).

5. Povežite cev za dotok kompresovanog vazduha između opcionalnog 3M Aircare - uređaja za filtriranje vazduha i S-200+ regulatora, vodeći računa da pritisak u uređaju za filtriranje vazduha bude podešen kao što je opisano u odeljku. Tehničke karakteristike.

6. Pre upotrebe, podesite regulator na najniži protok i proverite protok vazduha koristeći vreću za proveru protoka vazduha (videti sliku 6). Uverite se da je obezbedjeno dobro dihtovanje vašom rukom na otvoru vreće.

OPERATIVNO UPUSTVO

OBAVLJANJE

1. Podesite i kopčnu na opasaču sa regulatorom i nameštite ga udobno oko pojasa.
2. Podesite respirator kako je opisano u odgovarajućem upustvu za upotrebu.
3. Obezbedite barem minimalni protok vazduha u respirator i nameštite protok vazduha na regulatoru za maksimalnu udobnost.

UPOTREBA

Ako se tokom korišćenja prekine dotok vazduha ili se smanji, odmah napustiti kontaminiranu oblast i ispitajte uzrok.

Pažljivo zaštititi crevo za disanje od mogućih uvijanja oko stvari koje izviruju. Ako se to desi, odmah napustiti kontaminiranu oblast i proveriti da li je aparat neoštećen.

Rok upotrebe proizvoda će zavistiti od učestalosti i uslova korišćenja.

U svakodnevnoj upotrebi, preporučeno je da se proizvod menja na svakih 5 godina korišćenja, po uslovom da se proizvod skladišti i održava kao što je navedeno u nastavku.

Neki ekstremni uslovi mogu dovesti do istrošenosti proizvoda u kraćem vremenskom periodu.

PREKID NOŠENJA

Ne skidajte masku za lice, filtere i ne isključujte dovod vazduha dok ne napustite zagađeno područje.

1. Skinite respirator u skladu sa relevantnim upustvom za upotrebu.
2. Isključite crevo za snabdevanje komprimovanim vazduhom od regulatora.
3. Otkopčajte opasač.

NAPOMENA

Ne isključujte cev za disanje iz regulatora dok je sistem pod pritiskom jer će doći do ispuštanja vazduha pod jakim pritiskom.

Ako je maska korišćena u sredini, čiji zagadivači zahtevaju specijalnu dekontaminaciju, treba je staviti u odgovarajući kontejner i zadržati da može da se dekontaminira ili odbaci.

ODRŽAVANJE

Održavanje, servisiranje i popravku moraju vršiti samo za to obučene osobe.

⚠ ! Korišćenje neodobrenih delova ili neautorizovana izmena mogu dovesti do opasnosti po život i zdravlje i neprihvatanja garancije.

Ovaj regulator je dizajniran za minimum održavanja. Ako su neke komponente oštećene, treba da se odbace i zamene. Svi zamenjivi delovi moraju biti korektno namešteni.

ŠTA	KADA
Opšta provera	Pre upotrebe
	Mesečno, ako nije u regularnoj upotrebi
Čišćenje	Posle upotrebe

Dokument o održavanju treba da se proverava mesečno u skladu sa zdravstvenom i bezbedonosnom regulativom. Dokument treba čuvati barem 5 godina.

LOCIRANJE I UKLANJANJE GREŠAKA

Simptom	Mogući uzrok	Rešenje
Nema protoka vazduha	1. Spoljni dotok vazduha je isključen 2. Cev za dotok komprimovanog vazduha je blokirana ili zaustavljena 3. Uređaj je defektan	1. Uključite dotok 2. Proverite cev za dotok 3. Zamenite uređaj
Nizak protok vazduha (provera nedovoljnog protoka)	1. Nizak pritisak ili protok dotoka spoljnog vazduha 2. Aircare – Uređaj za filtriranje vazduha je blokirano (ako se koristi) 3. Uređaj je defektan	1. Proverite pritisak i protok dotoka 2. Proverite uređaj Aircare 3. Zamenite uređaj
Detektovan miris	1. Respirator loše namešten ili oštećen. 2. Aircare – Uređaj za filtriranje zahteva održavanje (ako se koristi) 3. Spoljni dotok vazduha je kontaminiran	1. ponovo nameštite ili zamenite respirator. 2. Proverite uređaj Aircare 3. Proverite kvalitet spoljnog dotoka

UPUSTVO ZA ČIŠĆENJE

Čišćenje je preporučljivo posle svake upotrebe.

Očistite respirator (isključujući filtere) u skladu sa upustvom za upotrebu respiratora.

Upotrebite čistu krpu, natopljenu blagim rastvorom vode i tečnog sapuna.

Obezbedite da su unutrašnje komponente suve pre upotrebe.

Ne potapajte komplet regulatora u vodu.

Ne koristite komprimovani vazduh za čišćenje proizvoda.

Ne koristiti naftu, hlorisane nagrijajuće tečnosti, kao trihloretilen, organske rastvarače ili abrazivne agense za čišćenje da očistite deo opreme.

Za dezinfekciju koristite higijenske maramice kao što je opisano u referentnom prospektu.

SKLADIŠTENJE I TRANSPORT

Ovi proizvodi treba da budu skladišteni u obezbedjenom pakovanju u suvim, čistim uslovima van sunčeve svetlosti, izvora visoke temperature, nafte i para rastvarača.

Ne skladištiti na temperaturama van opsega od -10 °C do +50 °C ili vlažnosti iznad 90 %.

Kada se skladišti po instrukcijama, očekivani rok upotrebe je 5 godina od datuma proizvodnje.

Originalno pakovanje je podesno za transport proizvoda u evropskoj uniji.

Tehnička specifikacija

Respiratorna zaštita

EN14594 Klasa 4A/4B kada se kombinuje sa odobrenom 3M™ punom maskom.

EN14594 Klasa 3A/3B kada se kombinuje sa odobrenom 3M™ polu maskom.

Maska i cev zadirisanje usaglašeni su sa zahtevima visoke jačine (B) EN14594. Takođe su odobreni za upotrebu sa paletom cevi za dotok komprimovanog vazduhakoja su usaglašeni sa zahtevima niže i više jačine (A i B). Pogledajte oznake na opremi.

Uslovi korišćenja

-0 do +40°C i <90 % vlažnosti

Ulazni pritisak

Opseg pritiska: 3,0 - 7,0 bara

Maksimalan pritisak: 10 bar

Karakteristike spoljašnjeg protoka

Proizvodjački minimalni protok (MMDF) 120 l/min

Maksimalni protok (5-7 bara): >310 l/min

Maksimalni protok (3-5 bara): 200-310 l/min

Ograničenje maksimalne upotrebe

Polu-masku u modu za snabdevanje vazduhom: 50 x MDK (maksimalno dozvoljena koncentracija)

Puna maska u modu za snabdevanje vazduhom: 200 x MDK (maksimalno dozvoljena koncentracija)

Kada se prekine maksimalna upotreba, koncentracija će zavisi od nivoa navedenog u relevantnom uputstvu za upotrebu filtera (npr. kada se A1 filteri nameste na polu-masku, maksimalna koncentracija bi bila 50 x MDK (maksimalno dozvoljena koncentracija) u modu za snabdevanje vazduhom, ali samo 10 x MDK sa prestankom dovoda vazduha).

Cev za komprimovani vazduh (Compressed Air Supply Tube (CAST))

Standardna obaveza po EN14594 "B".

Maksimalna dužina (CAST): 30 metara

Maksimalan bezbedan radni pritisak: 10 bara

ODOBRENJA

Ovi proizvodi zadovoljavaju zahteve direktiva evropske unije 89/686/EEC (direktive za ličnu zaštitnu opremu) tako da su označene sa CE znakom.

Sertifikacija prema Članu 10, EC Ispitivanje tipa i Član 11, EC Kontrola kvaliteta, je izdata od strane BSI, Kitemark Court, Davy Avenue, Knowlhill, Milton Keynes, MK5 8PP, UK (Notified body number 0086).

TR

Kullanıcı Talimatını ve Referans Broşürünü, ilgili 3M™ Yüz Maskesi veya 3M™ Filtre Kullanıcı Talimatı ile birlikte okuyunuz. Aşağıdaki konularda bilgiler bulacaksınız:

- Onaylanmış kombine 3M™ Yüz maskeleri ve 3M™ Filtreleri
- Yedek parçalar
- Aksesuarlar

⚠️ Özellikle dikkat edilmesi gereken hususların uyarı ifadelerinde belirtilmesini tavsiye ederiz.

AMBALAJINDAKİLER

3M™ Hava Beslemeli Regülatörünüz S-200+ şunları içermelidir:

- a) regularS-212
- b) nefes alma tüpüS-222
- c) Kayış
- d) Taşma Valfleri
- e) Jaraçları kontrol etFCB-01

SİSTEM TANIMI

3M™ Hava Beslemeli Regülatör S-200+ onaylı bir 3M™ Yüz Maskesi (referans broşüre bakınız) ile birlikte kullanılmak üzere tasarlanmıştır. Bu ürün, EN14594 (Solunum koruyucu cihazlar – Sürekli hava akışı basınçlı hava solunum aparatı) gereklilerini karşılar.

Ayarlanabilir regülatör/debi kontrol ünitesi bele monte edilir ve buna, boya püskürtme donanımının veya pnömatik aletlerin bağlanabildiği bir giriş tapası ve yardımcı giriş portu takılır.

Hava Beslemeli Regülatör Referans Broşürde gösterilen 3M™ Yüz Maskeleri ve Filtreleri ile Dual mod veya Hava Besleme modunda kullanılmak üzere tasarlanmış ve bu şekilde kullanımı onaylanmıştır.

Dual Mod

- Bu modda, ilgili partikül ve/veya gaz ve sis filtreleri, solunum tüpüne takılır.
 - Takılan filtreler, basınçlı hava kaynağı çalıştığı anda ya da hava besleme bağlantısı mümkün olmadığı anda değiştirilmelidir. Bununla beraber, herhangi bir kirlenme madde algılanmadan önce filtrenin düzenli değiştirilmesi şiddetle tavsiye edilir.
 - Kirlenme madde algılanmasa bile filtreler 1 ay içinde çift olarak değiştirilmelidir. Herhangi bir şüphelenirse, filtreleri derhal yeni bir çiftle değiştirin.
 - Bu modda filtre seçimi, kullanımı ve değişimine ilişkin diğer talimat ve uyarılar Filtre ve Yüz Maskesi kullanım talimatlarında bulunur.
 - Yüksek regülatör ayarlarında ya da nefes verme esnasında filtrelerden dışarı fazla hava akışı olabilir.
 - Hava kaynağındaki fazla nem, filtre ömrünü olumsuz etkileyebilir.
 - **Yalnızca yarım yüz maskeler için tasarlanmış filtreler, Referans Broşüründe gösterildiği gibi 3M Solunum tüpü ile birlikte kullanılabilir.**
- Hava Besleme Modu**
- 3M™ Hava Beslemeli Regülatör S-200+, 3M™ süngü tipi konektörlü Yüz Maskeleriyle birlikte, hava besleme modunda, solunabilir kalitede harici basınçlı hava kaynağı kullanılması kaydıyla kullanılabilir.
 - Yüksek regülatör ayarlarında veya nefes verme esnasında taşma valflerinden dışarı fazla hava akışı olabilir.

⚠️ DİKKAT

- Ürünün kullanan kişiyi havada taşınan bazı kirlenme maddelere karşı korumasına yardımcı olmadıkça uygun ürün seçimi, eğitim, ürün kullanımı ve bakım çok önemlidir. Bu solunum koruyucu ürünlerin kullanımı ile ilgili talimatların tümüne uyulmaması ve/veya tüm maruz kalma süresi boyunca ürünün tamamının uygun bir şekilde giyilmemesi kullanıcının sağlığını kötü yönde etkileyebilir, ağır veya yaşamı tehdit eden hastalıklara veya kalıcı sakatlığa yol açabilir.
 - Ürünün uygunluğu ve uygun kullanımı hakkında yerel yönetmeliklere uyunuz, size verilen bilgilere bakınız veya güvenlikten sorumlu bir yetkili/ 3M temsilcisi ile irtibata geçiniz (Yerel İrtibat Bilgileri).
- Kullanım talimatlarının tümünü okuyun ve gerektiğinde başvurmak üzere

saklayınız.

Bu respiratör sistemini talimatlara harfiyen uygun olacak şekilde kullanınız:

- - bu broşürde yer alan,
 - - sistemin diğer parçaları ile uyumlu olarak
 - Teknik Spesifikasyonda belirtilenler dışındaki kirlenme madde konsantrasyonlarında kullanmayınız.
 - Bilinmeyen atmosferik kirlenme maddelere karşı veya kirlenme madde konsantrasyon değerleri bilinmediği veya insan hayat ve sağlığını ani tehlikeye atacak durumlarda solunum koruyucu olarak kullanmayınız (IDLH).
 - %19,5'dan daha düşük oksijen içeren ortamlarda kullanmayınız. (3M tanımı. Oksijen yetersizliği ile ilgili olarak her ülke kendi sınır değerlerini uygulayabilir. Tereddüt halinde danışınız)
 - Sadece Referans Broşürde listelenen Yüz Maskeleri, Filtreler, Yedekler ve Aksesuarlarla birlikte ve Teknik Spesifikasyonda verilen kullanım koşulları dahilinde kullanınız.
 - Sadece eğitilmiş yetkili personel tarafından kullanılmalıdır.
 - Eğer aşağıdakilerden herhangi birisi meydana gelecek olursa kirlenme alanı derhal terk ediniz:
 - a) Sistemin herhangi bir parçasının hasar görmesi.
 - b) Hava akışı azalır veya durur.
 - c) Soluk almanın güçleşmesi.
 - d)Baş dönmesi veya başka bir sıkıntının meydana gelmesi.
 - e) Kirlenme madde kokusu almanızı veya tatmanızı veya tahrişin meydana gelmesi.
 - Bu üründe asla bir değişiklik veya ekleme yapmayınız. Parça değişiminde sadece 3M orijinal yedek parçalarını kullanınız.
 - Oksijen veya oksijen zengin hava kullanmayınız.
 - Patlayıcı ortamlarda çalışacaksanız, 3M Teknik Servisi ile irtibata geçiniz.
 - +4°C'nin altındaki sıcaklıklarda kullanıldığında, aparatın donmasını önlemek için emilen havanın nem içeriği kontrol edilmelidir.
 - Daima şunlardan emin olunuz:
 - Hava sağlayıcısının kaynağı bilinmelidir;
 - Hava sağlayıcısının saflığı bilinmelidir;
 - Hava sağlayıcısı, EN12021 standardına göre solunabilir kalitede olmalıdır.
 - Hava besleme sisteminin her bir bağlanan işi yeterli seviyede hava kapasitesine sahip olduğundan emin olunuz.
 - Pnömatik aksesuarların yardımcı port aracılığıyla kullanılması düşünüülüyorsa, aksesuar maksimum hava akımı ihtiyacını tükettiğinden en azından yüz maskesine ilişkin minimum akış koşullarının karşılandığından her zaman emin olunuz.
- Bir hava aracı kullanırken gerekli minimum basıncı 4,5. Hava aracı uyumluluğu hakkında daha fazla bilgi için 3M ile irtibata geçiniz
- **Kullanılan bu ürün kulakta aşırı gürültü seviyelerini üretme yeteneğine sahip olduğunda. Gerektiği gibi işitme koruma hazırlamalısınız.**
 - Çok yüksek çalışma hızlarında, Yüz Maskesi içindeki basınç, en yüksek pik nefes alma akımında negatif olabilir.
 - Bu ürün, yalnızca sıkıştırılmış hava sağlama borusunun hasar görme riskinin düşük ve takan kişinin hareketlerinin sınırlı olduğu çalışma koşullarında kullanılmalıdır. Sıkıştırılmış hava sağlayıcı, uygun dereceli ve ayarlı bir basınç tahliye güvenlik vanasıyla donatılmalıdır.
 - Regülatör çift eylem emniyet kavramaları ile donatılmıştır.Solunum borusu ve Basınçlı Hava Temini Tube sökerken dikkat edin. Her zaman çift eylem kaplılar birlikte kullanıldığında emin olun.Solunum tüpü S-222 ve regülatör üzerindeki kavrama çift eylem güvenlik tertibatları kullanılır belirtmek için 'S' işaretli işaretlenir.
 - Bu öğeler hareketli sıkıştırılmış hava besleme sistemleri ile kullanılmamalıdır.
 - Sistem kullanılırken hava kaçağı tespit edilirse, kirlenme alanı derhal terk ediniz ve hiçbir koşulda, vücudun herhangi bir kısmıyla sızıntıyı durdurmaya çalışmayınız.
 - Sızdırmaz contalarını çıkarmayınız, aksi takdirde sistemin performansı olumsuz etkilenebilir.
- ⚠️ Yüz ve ürün arasındaki teması engelleyerek sızdırmazlık derecesini bozabileceğinden, kullanan kişiler sakalsız ve bıyiksiz olmalıdır.**
- Kazara suya daldırma olasılığı varsa, sistem, filtreler takılıyken kullanılmamalıdır.

- Ünitenin veya filtrelerin alevle maruz kalmaları halinde sistem, kontrol edilmeli ve filtreler değiştirilmelidir.
- Kullanıcının derisi ile temas edebilecek söz konusu malzemelerin, çoğu kişiye allerjik reaksiyonlara yol açtığı bilinmemektedir.
- Bu ürün doğal kauçuk lateksden yapılmış hiçbir parça içermez.

İŞARETLER

Yüz Maskesi işaretleri için, ilgili kullanıcı talimatına bakınız.

S-212EN14594 UYGUNDUR

Basınçlı Hava Temini Tüpleri EN14594 için işaretlenir. Bunlar aşağıdaki gibi de işaretlenir:

308-00-40Pa markalıdır, sınıf a için kullanıma açılmalıdır

308-00-72P sığağa karşı dayanıklı ve antisitatik

KULLANIM HAZIRLIĞI

Aparatın eksiksiz, hasarsız ve doğru bir şekilde takılı olup olmadığını kontrol ediniz. Hasarlı ve kusurlu parçalar kullanımdan önce orijinal 3M yedek parçaları ile değiştirilmelidir.

İlgili kullanıcı talimatlarında belirtildiği şekilde, yüz maskesi üzerinde gerekli ön kontrolleri yapınız.

Kullanımdan önce sızdırmazlık testlerinin yerinde olduğundan emin olunuz.

Aksesuar tapasının takılı olduğundan ve kullanımdan sonra doğru şekilde değiştirildiğinden emin olunuz.

Bütünlendirme

1. Kayış regülatöre Şekil 1'de gösterildiği gibi takınız.
2. Solunum tüpünü regülatöre Şekil 2'de gösterildiği gibi takınız.
3. Solunum tüpünü yüz maskesine Şekil 3'de gösterildiği gibi takınız.

NOT: solunum borusunun "Y" parçasının üzerine 3M sembolü solunum tüpünün doğru uyum sağlamak için yukarı baktığından emin olun.

4.Sistem HAVA BESLEME MODUNDA kullanılmak üzere, solunum tüpüne bir çift TAŞMA VALFİ TAKILMALIDIR (Bakınız Şekil 4). Sistem DUAL MODDA kullanılmak üzere, solunum tüpüne DOĞRU BİR ÇİFT FİLTRE TAKILMALIDIR (Bakınız Şekil 5).

5. Sıkıştırılmış hava besleme borusunu opsiyonel 3M Aircare – Hava Filtrasyon Ünitesi ve S-200+ Regülatörün arasına bağlayınız, Hava Filtrasyon Ünitesindeki basıncın Teknik Özellikler bölümünde belirtildiği gibi ayarlandığından emin olunuz.

6. Kullanımdan önce, regülatörü en düşük akım ayarına getiriniz ve hava akım kontrol torbasını kullanarak hava akımını kontrol ediniz (Bakınız Şekil 6). Elinizle, torbanın ağzı çevresinde iyi bir sızdırmazlık oluşturduğundan emin olunuz.

ÇALIŞTIRMA TALİMATLARI

TAKIMLARIN TAKILMASI İŞLEMİ

1. Bel kemerini ayarlayınız ve regülatör beliniz çevresine rahatça oturacak şekilde takınız.
2. İlgili kullanıcı talimatında belirtildiği şekilde yüz maskesini ayarlayınız ve takınız.
3. Yüz maskesine en azından minimum hava akımı geldiğinden emin olunuz ve regülatör hava akımını maksimum konfor sağlayacak şekilde ayarlayınız.

KULLANIM

Kullanım esnasında hava beslemesi duracak veya azalacak olursa, kirli alanı hemen boşaltın ve nedenini araştırın.

Solunum hortumunun çıkıntılı nesnelere etrafında sarılarak kıvrım yapmamasına dikkat ediniz. Böyle bir şeyin meydana gelmesi durumunda, kirli alanı hemen boşaltın ve aparatın hasar görüp görmediğine bakın.

Ürünün "kullanım" ömrü kullanım sıklığına ve koşullarına göre değişiklik gösterir.

Günlük kullanımlarda, ürünün aşağıda gösterildiği gibi depolandığı ve muhafaza edildiği düşünüldüğünde yaklaşık 5 yıllık kullanımdan sonra ürünün atılması önerilmektedir.

Daha kısa bir sürenin ardından bazı beklenmedik durumlar bozulma ile sonuçlanabilir.

TAKIMLARIN ÇIKARTILMASI

Yüz kısmını ve filtreleri atmayın veya kirlenmiş alanı terk etene kadar hava sağlayıcıyı kapatın.

1. İlgili kullanıcı talimatlarında belirtildiği şekilde yüz maskesini çıkarınız.
2. Basınçlı hava besleme tüpünü regülatörden ayırınız.
3. Bel kemerini çözünüz.

NOT:

Bu yüksek basınçlı havanın çıkmasına neden olacak gibi sistem basınçlı iken regülatörden solunum hortumunu kesmeyin.

Eğer maske, özel temizleme işlemlerinin kullanılmasını gerektiren bir madde yüzünden kullanıldığı anda kontaminasyona yol açmışsa, uygun bir kaba konulmalı ve dekontamine edilinceye veya atılacağı kadar mühürlü tutulmalıdır.

BAKIM

Ekipmanın bakım, servis ve onarımı sadece gereken eğitimi almış personel tarafından gerçekleştirilmelidir.

⚠ Onayı bulunmayan veya izinsiz değişiklik yapılmış parçaların kullanılması kişi hayatına ve sağlığına zarar verebilir ve verilmiş bulunan herhangi bir garantinin geçersiz kalmasına yol açabilir.

Bu solunum koruyucu, minimum bakım için tasarlanmıştır. Herhangi bir bileşenin hasar görürse, kullanılmamalı ve değiştirilmelidir. Tüm yeni parçalar doğru şekilde takılmalıdır.

YAPILACAKLAR	YAPILMA ZAMANI
Genel Kontrol	Kullanımdan önce Düzenli kullanılmıyorsa aylık
Temizlik	Kullanım sonrası

Sağlık ve Güvenlik Yönetmeliklerine uygunluk sağlamak için aylık kontrol aşamasında bir bakım kaydı tutulmalıdır. Bu kayıt en azından 5 yıl süre ile tutulmalıdır.

ARIZA TESPİT

Belirti	Muhtemel Sebep	Çözüm
Hava akışı yok	1. Harici hava beslemesi kapatılmış 2. Sıkıştırılmış hava besleme borusu tıkanmış ya da burkulmuş 3. Ünite arızalı	1. Beslemeyi açınız 2. Besleme borusunu kontrol ediniz 3. Üniteyi değiştiriniz
Düşük Hava Akımı (akım kontrolü başarısız)	1. Düşük harici hava besleme basıncı veya akışı 2. Aircare – Hava filtrasyon ünitesi tıkanmış (kullanılıyorsa) 3. Ünite arızalı	1. Besleme basıncını ve akışını kontrol ediniz 2. Aircare ünitesini kontrol ediniz 3. Üniteyi değiştiriniz
Algılanan Koku	1. Yüz maskesi kötü takılmış veya hasarlı 2. Aircare – Hava filtrasyon ünitesinin bakıma girmesi gerekiyor (kullanılıyorsa) 3. Harici hava beslemesi kontamine olmuş	1. Yüz maskesini yeniden takınız veya değiştiriniz 2. Aircare ünitesini kontrol ediniz 3. Harici beslemenin kalitesini kontrol ediniz

TEMİZLEME TALİMATLARI

Her kullanım sonrası temizleme tavsiye edilir.

Yüz maskesi kullanıcı talimatlarına göre yüz maskesini (filtreler hariç) temizleyiniz.

Haftı sivi ev sabunu ve su ile ıslatılmış temiz bir bez kullanınız.

Kullanımdan önce bileşenlerin içlerini kuru olduğundan emin olunuz.

Regülatör cihazını suya daldırmayınız.

Ürünü temizlemek için basınçlı hava kullanmayınız.

Ekipmanın herhangi bir parçasını benzin, (trikloretilen gibi) klorlu yağ giderici sıvılar, organik çözümler veya aşındırıcı temizleme maddeleri ile silmeyiniz.

Dezenfekte işlemi için Referans Broşüründe belirtilen temizlik maddelerini kullanınız.

DEPOLAMA VE NAKLİYE

Bu ürünler doğrudan güneş ışığı gören yerlerden, benzin ve çözelti vapurlarından uzakta kuru ve temiz koşullarda ambalajında saklanmalıdır. Dış hava sıcaklık aralığı -10°C to +50°C ve/veya nem 90% üzerinde olduğu şartlarda asla saklamayın. belirtildiği şekilde saklandığında, ürünün beklenen raf ömrü üretim tarihinden itibaren 5 yıldır. Orijinal ambalajı, ürünün Avrupa Birliği içerisinde taşınmasına uygundur.

TEKNİK ÖZELLİKLER

Solunum Koruma

EN14594 sınıf 4A/4B tam yüz3M™maske onaylıdır .

EN14594 sınıf 3A/3B3M™YARIM YUZ MASKE İLE KOMBİNDİR.

Yüz parçaları ve nefes borusu EN14594 yüksek mukavemeti (B) gereksinimlerini karşılamak. Her ikisi de alt ve daha yüksek mukavemet (A ve B) gereksinimlerini karşılamak basınçlı hava besleme borusu bir dizi ile kullanım için onaylanmıştır. Bilgi için bölüm işaretleme donatım bakın.

İşletme şartları

-0 ile +40°C ve <90 % nem

Giriş Basıncı

Basınç Aralığı: 3,0 - 7,0 bar

Maksimum basınç: 10 bar

Dış Akış Özellikleri

Üreticinin Minimum Dizayn Akışı(MMDF) 120 l/dak.

Maksimum Akım (5-7 Bar): >310 l/min

Maksimum Akım (3-5 Bar): 200-310 l/min

Maksimum Kulalnım Sınırlamaları

Hava besleme modunda Yarım yüz Maske: 50 x Eşik Sınır Değeri.

Hava besleme modunda Tüm Maske: 200 x Eşik Sınır Değeri.

Bağlantı kesildiğinde, Maksimum Kullanım Konsantrasyonu, ilgili Filtre Talimat Kitapçığında belirtilen seviyelere dayanır (örneğin, yarım yüz maskeye A1 filtre takıldığında, maksimum kullanım konsantrasyonu, hava besleme modunda 50 x TLV iken, hava bağlantısı kesildiğinde yalnız 10 x TLV'dir).

Sıkıştırılmış Hava Besleme Tüpü (CAST)

EN14594 standart dışı

Maksimum Uzunluk (CAST): 30 metre

Maksimum Emniyetli Çalışma Basıncı: 10 Bar

ONAYLAR

Bu ürünler 89/686/EEC sayılı Avrupa Topluluğu Direktifi (Kişisel Koruyucu Ekipman Direktifi) gerekliliklerini karşılar ve dolayısıyla CE işareti almışlardır. EC Type-Examination Article 10 ve EC Quality Control Article 11 altında sertifikasyon, BSI Kitemark Court , Davy Avenue, Knowlhill, Milton Keynes, MK5 8PP, UK (Onaylanmış Kuruluş Numarası 0086)



Осы пайдаланушыға арналған нұсқаулық пен сілтеу парағын, сонымен қатар 3М™ сериялы тыныс алу аппаратының мақсасы немесе 3М™ сериялы сүзгішті пайдалану нұсқаулығын оқып, келесі ақпаратты табасыз: 3М™ беттердесі мен 3М™ сүзгіштерінің бекітілген қоспасы

- Қосалқы бөлшектер
- Аксессуарлар

⚠ Ескерту тұжырымдамаларына ерекше назар аудару керек.

ҚАПТАМАНЫ АШУ

Сіздің 3М™ ауа тасымалдайтын реттеушінің S-200+келесі құралдардан тұруы керек:

- Жиналған реттеуші (S-212)
- Тыныс алу түтігі (S-222)
- Белбеу
- Толып кету клапандары
- Ағын тексеру құрылғысы (FCB-01)

ЖҮЙЕНІҢ СИПАТТАМАСЫ

3М™ 3М™ ауа тасымалдаушы реттеуші S-200+бекітілген тыныс алу 3М™ маскасымен бірге пайдалану үшін арнайы жасалған. (сілтеу парағын қараңыз).

Бұл өнім EN14594 (Тыныс алу жолдарын қорғау құрылғылары – Үздіксіз ағынмен сығылған ауа беретін тыныс алу аппараттары) стандартының талаптарына сай.

Орналасырылатын реттегіш/ағынды реттеу құрылғысы белде қондырылған және шығу жеке бөлікке ажыратқышымен және қосымша шығу порты бояудың тосандатуды немесе пневматикалық құрылғыны қабылдай алады.

Ауа тасымалдайтын реттегіш қос режимде және тасымалданатын ауа режимінде анықтама қағазда көрсетілген тыныс алу 3М™ маскаларымен және сүзгіштермен бірге пайдалануға болатындай етіп жасалған.

Қос режим

- Бұл режимде қажетті бөлшектер және/немесе газ және бу жіберетін сүзгіштер тыныс алу түтігіне жалғанады.
- Жалғанған сүзгіштер тыыздалған ауа жіберілмей тоқтап қалғанда немесе ауамен қамту мүмкін болмаса (мысалы, ластанған жерлерден кіру немесе шығу) қорғанысты қамтамасыз етеді.
- Пайдаланушы ластаушы заттардан сақтай алатын сүзгіштерді таңдауы керек.
- Ұқсас сүзгіштердің жұбы ерқашан да қолданыста болуы керек.
- Лаस्ताушы заттардың деңгейіне, жұмыс уақыты бірлігіне, лаस्ताушы заттардың әсер ету мерзіміне және т.б. байланысты, сүзгіштер жұбы жұмысын сәтті орындай алады. Респираторды киген адам ластанған дем немесе иісті сезген жағдайда, сүзгіштерді алмастыруы керек. Дегенмен, лаस्ताушы затты тауып алмай тұрып, реттеуші сүзгіштерді алдын-ала алмастырып отыру дұрыс болып табылады.
- Сүзгіштер жұбы ешқандай лаस्ताу зат табылмаса да, 1 айдың ішінде алмастырылуы тиіс. Егер күмәніңіз пайда болса, ерқашан алмастырып отырыңыз.
- Осы режимдегі сүзгіштерді таңдау, пайдалану және алмастыру жайындағы қосымша нұсқаулар мен ескертулер Сүзгіштерді және тыныс алу маскаларын пайдалану нұсқаулығында көрсетілген.
- Артық ауа сүзгіштер арқылы, немесе жоғары дәрежедегі реттегіш арқылы немесе дем шығару кезінде сыртқа шығуы мүмкін.
- Ауа құрамындағы шамадан тыс ылғал сүзгіш жұмысына кері әсерін тигізуі мүмкін.
- **Анықтама қағазында көрсетілгендей, 3М тыныс алу түтіктеріне тек жарьтйал маскаларға арналған сүзгіштер ғана қолданылады. Тасымалданатын ауа режимі.**
- 3М™ Тасымалданатын ауа режимінде S-200+тығыздалған тыныс алуға жарамды сыртқы ауа кездерінің көмегімен, ауа реттегіш және бойонет қосылғыштары бар тыныс алу 3М™ маскаларымен бірге пайдаланылады.
- Артық ауа жоғары реттеушілері бар жіберуші клапандары арқылы немесе дем шығару арқылы сыртқа шығуы мүмкін (мыс., анықтама қағаз, тыныс алу маскалары және сүзгіштерді пайдалану нұсқаулығы).

⚠ Назар аударыңыз

- Бұйым пайдаланушыны ауамен тасымалданатын белгілі бір ластағыш заттардан қорғауға көмектесуі үшін бұйымды тиісті

түрде таңдап алу, оны пайдалануға үйрету, пайдалану және бұйымға техникалық күтім жасау қажет. Осы бұйымдарды тыныс органдарын қорғау үшін пайдалану бойынша нұсқаудың талаптарын сақтамау және/немесе пайдаланушыға ластағыш заттар әсер етететін кезде оны дұрыс киіп жүрмеу пайдаланушының денсаулығына теріс әсер етуі, оның өміріне қауіп төндіретін ауруларға немесе еңбек қабілетін айырылуына алып келуі мүмкін.

- Бұйымды талаптарға сәйкес және тиісінше пайдалану үшін жергілікті ережелерді сақтаңыз, берілген барлық ақпаратпен танысыңыз немесе қауіпсіздік техникасы саласындағы маманнан / 3М өкілінен кеңес алыңыз. (Жергілікті байланыстар туралы ақпарат).

Оларға тұрақты сілтеме жасау үшін пайдалану мен қауіпсіздік жөніндегі барлық нұсқауларды қараңыз.

Респираторлық жүйені келесі нұсқауларға қатаң сәйкес пайдаланыңыз:

- осы кітапшадағы нұсқау,
- - жүйенің басқа құрамдас бөліктерімен бірге берілетін нұсқаулар
- Лаस्ताушы заттардың шамалары техникалық спецификацияда көрсетілген өлшемдерден асатын болса, сүзгішті қолданбаңыз.
- Осы бұйымды тыныс жолдарын белгісіз атмосфералық ластағыш заттардан немесе ластағыш заттардың концентрациясы белгісіз немесе адам өмірі мен денсаулығына қауіп туғызатын ортада қорғау үшін пайдаланбаңыз.
- Осы бұйымды оттегінің мөлшері 19,5%-дан аз ортада пайдаланбаңыз (3М анықтамасы: кейбір елдер оттегі мөлшерінің жеткіліксіздігіне қатысты өз шектеулерін қолдануы мүмкін. Күмәніңіз болса, кеңес сұраңыз).
- Тек анықтама қағазда көрсетілген тыныс алу маскалары, филтлері, қосымша бөлшектерімен және техникалық спецификацияларды анықталған пайдалану шарттары бойынша қолданыңыз.
- Бұйымды тек оны пайдалануға үйретілген қызметкерлер пайдаланулары тиіс.
- Келесі жағдайларда жұмыс аймағынан тез шығыңыз:
 - Егер жүйенің кез-келген бір бөлігі бүлінсе.
 - Бетке киілетін бұйымға ауа ағыны төмендеуі немесе тоқтауы.
 - тыныс алу қиындаса.
 - Басыңыздың айналуы немесе басқа аурулар пайда болса.
 - Ауызыңызда ластағыш заттардың дөміні, иісін сезінсеңіз немесе теріңіз қыши бастаса.
- Бұл бұйымда ешқандай түрде түрлендірілген және өзгертілген. Бұйымның тозған қосалқы бөлшектерін тек 3М түпнұсқа қосалқы бөлшектерімен алмастырыңыз.
- Бұл бұйымда оттегін немесе оттегімен байытылған ауаны пайдаланбаңыз.
- Жарылыс қауіпті ортада пайдалану қажет болған жағдайда, 3М техникалық қызмет бөлімінен кеңес алыңыз.
- +4°C-ден төмен температураларда қолданған кезде, аппарат қатып қалпау үшін, жұтылатын ауадағы ылғал құрамын бақылауда ұстаған жөн.
- Әрдайым мыналарды қамтамасыз етіңіз:
 - берілетін ауа көзінің белгілі болуы;
 - берілетін ауаның таза болуы;
 - Берілетін ауаның сапасы тыныс алуға жарамды болуы, EN12021.
 - Ауамен жабдықтау жүйесінің мүмкіндіктері оған жалғанған пайдаланушылардың барлығын қанағаттандыратындығын тексеріңіз.
- Егер ол қосалқы порт арқылы пневматикалық қосымшаларды жүргізуге арналған болса, қосалқы ауаның жоғарысын пайдаланған кезде, әрдайым айтарлықтай ағымның бетке ең болмағанда төменгі шарттарына сәйкес келуін тексеріңіз.

Пневматикалық құралды қолданған кездегі ең төменгі қысым талабы -4,5бар. Пневматикалық құралдың үйлесімділігі туралы қосымша ақпаратты алу үшін 3М компаниясына хабарласыңыз.

• Қолдану барысында бұл өнім құлақ қуысында әдепкі деңгейден жоғары шу шығаруы мүмкін. Есту органдарын қорғау құралдары қажет болғанда қолжетімді болуы керек.

- Қарқынды жұмыс кезінде тыныс алу маскасының ішіндегі қысым тыныс алғанда кері әсерін тигізуі мүмкін.

- Бұл өнім тек жұмыс жағдайларында, сығылған ауа беретін түтіккіз зақымдану қаупі төмен және киюінің қозғалыстары шектелген жерлерде пайдаланылуы тиіс. Сығылған ауа беру жүйесі тиісті түрде бағаланып, реттелген қысымды босататын қауіпсіздік клапанымен жабдықталуы тиіс.
- Реттеуіш қос әрекеті бар сақтық муфттарымен жабдықталған. Тыныс алу түтігі мен сығылған ауа беру түтігін ажыратқанда абай болыңыз. Қос әрекеті бар сақтық муфттарының бірге қолданылатынына көз жеткізіңіз. Тыныс алу түтігі S-222 таңбасымен белгіленген, ал реттеуіштегі муфта қос әрекеті бар сақтық муфттарының қолданылатынын көрсету үшін "S" таңбасымен белгіленген.
- Осы қондырғыны жылжымалы компрессор жүйелерімен бірге қолдануға болады.
- Егер жүйенің жұмыс кезінде ауа ағыны айқындалса, ластанған жерді тез арада босатыңыз және ағынды дененің кез-келген бөлігімен тоқтату әрекетін еш жағдайда жасамңыз.
- Бітеуіш сақиналарды алмастырмаңыз, өйткені бұл жүйе жұмысына кері әсерін тигізу мүмкін.

⚠ пайдаланушының сақал немесе мұрт не бетіндегі шаш болған кезде пайдалануға болмайды, олар бет пен өнімнің түісін ұшарлатуы мүмкін, сол арқылы жақсы қымталымға кедергі келтіреді.

- Жүйеге жалғанған сүзгіштер суға бату мүмкін жерлерде болса, жүйені пайдаланбау керек.
- Егер құрылғы немесе сүзгіштер өртке тисе, жүйені тексеріп, сүзгіштерді алмастыру керек.
- Бұйымның пайдаланушының терісіне тигіуі мүмкін бөліктерінің материалдары адамдардың көпшілігінде аллергия туғызатыны туралы ақпарат жоқ.
- Берілген өнім құрамында табиғи резеңке латекстен жасалған құрамдас бөліктер жоқ.

ТАҢБАЛУАНЫ

Беттердені белгілеу үшін қажетті пайдаланушы нұсқаулықтарын оқуды ұсынамыз.

S-212 реттеуіші EN14594 4B және EN14594 3B таңбасымен әрі өндірілген күнімен белгіленген.

Сығылған ауа беру түтіктері EN14594 таңбасымен белгіленген. Олар сондай-ақ төмендегідей белгіленген:

308-00-40P "A" таңбасымен белгіленген - А класына жататын құрылғылармен қолдануға қолайлы (EN14594).

308-00-72P өнімі "Жылу өткізбейтін" және "Антистатикалық" деп белгіленген.

ПАЙДАЛУАҒА ДАЙЫНДАУ

Тексерілген аппарат толық жабдықталған, бүлінбеген және дұрыс жиналған болуы тиіс. Кез-келген бүлінген немесе ақаулы бөлшектер дуылға пайдаланылғанға дейін 3М түпнұсқа қосалқы бөлшектерімен алмастырылуы тиіс.

Алдын ала беттердені қолдану алдында қолданушының тиісті нұсқаулығын оқып тексерулерді орындаңыз.

Тығыздауыш сақиналардың қолдануға тиісті орында тұрғанына көз жеткізіңіз.

Қосымша тығынның қолданғаннан кейін дұрыс ықшамдалғанын және ауыстырылғанын тексеріңіз.

Жинақтау

1. Белдеуді 1 суретте көрсетілгендей реттеуішке енгізіңіз.
2. Тыныс алу түтігін 2 суретте көрсетілгендей реттеуішке енгізіңіз.
3. Тыныс алу түтігін 3 суретте көрсетілгендей беттердеге енгізіңіз..

ЕСКЕРТПЕ: тыныс алу түтігін дұрыс туралау мақсатында тыныс алу түтігінің "Y" бөлігіндегі 3М таңбасы жоғары қаратылып тұрғанын тексеріңіз.

5). Егер жүйе ҚАМТИТЫН АУА РЕЖИМІН қолданылса, онда АҒЫЗАТЫН КЛАПАҒДАР ЕНГІЗІЛУІ ТИІС жұбы дем алу түтігіне ЕНГІЗІЛЕДІ (4 суретін қараңыз). Егер жүйе ҚОСАРЛЫ ЖҮЙЕДЕ қолданылса, онда СӨЙКЕС СҮЗГІШТЕР ЕНГІЗІЛУІ ТИІС жұбы дем алу түтігіне ЕНГІЗІЛЕДІ (4 суретін қараңыз).

5. Сығылған ауа беру түтігін қосымша 3М Aircare – ауа сүзу құрылғысы мен S-200+ регулятордың арасында жалғап, ауа сүзу құрылғысындағы қысым «Техникалық сипаттама» бөлімінде сипатталғандай болуын қамтамасыз етіңіз.

6. Қолдану алдында реттеуішті оның ең төменгі қозғалысына қойыңыз да, ауа ағынын тексеру баллонын қолданып, ауа ағынын тексеріңіз (6 суретін қараңыз). Жақсы қосқыш сәздің қолыңызбен баллонның ашылатын жерінің жан-жағынан тұрғанын тексеріңіз.

ПАЙДАЛУАҒА НҰСҚАУЛАРЫ

Киілуі

1. Бел буатын белбеу реттеуішпен қондырылып, беліңіздің айналасында жайлы киінгенін тексеріңіз.
2. Бет маскасын сәйкес пайдаланушы нұсқаулығықтарында көрсетілгендей киіңіз де тексеріңіз.
3. Бет маскасы ішінде ауа ағынының ең төменгі мөлшерде бар екендігін тексеріңіз және жайлы болу үшін реттеуіштің ауа ағынын тексеріп көріңіз.

ҚОРҒАУШЫ ДУЫЛҒАНЫ ПАЙДАЛУАҒА

Егер дуылғаны пайдалану кезінде ауаның берілуі тоқтаса немесе азайса, ластанған аймақтан жылдам шығыңыз және себебін анықтаңыз. Тыныс алу түтігінің оралып қалмауын қадағалаңыз. Егер ондай жағдай бола қалса, ластанған аймақтан жылдам шығу және аппараттың бүлінбегенін тексеру қажет.

Өнімнің ұзаққа пайдаланушылық төзімділігі пайдалану жиілігі және жағдайы арқылы өзгереді. Күнделікті пайдаланған жағдайда, төменде көрсетілгендей, егер құралды тиісті жағдайда ұстаса, құралды шамамен 5 пайдалану жылында есептен шығаруға кеңес беріледі.

Кейбір экстремалды жағдайлар, құралдың аз уақыт мерзімінде тозуына алып келуі мүмкін.

БҮЙЫМДЫ ШЕШУ

Жұқпалы аумақтан кеткеніңізше газ қайтарғыш беттердені, сүзгіні бетіңізден шешпеңіз немесе ауа жіберуді тоқтатпаңыз.

1. Бет маскасын тиісті пайдаланушы нұсқаулығымен сәйкес шешіңіз.
2. Қысымдалған ауамен қамту түтіккі реттеуіштен ажыратыңыз.
3. Беліңізден белдікті шешіңіз.

ЕСКЕРТУ

Жүйеге қысым жасалған жағдайда тыныс алу түтігін реттеуіштен ажыратпаңыз, себебі бұл жоғары қысымдағы ауаның жіберулігіне әкелуі мүмкін.

Егер респиратор ерекше тазалау рәсімдерін қажет ететін затпен ластанған аймақта пайдаланылса, оны тиісті контейнерге салып, респираторды тазалағанға немесе пайдаланудан шығарғанға дейін сонда сақтау қажет.

ТЕХНИКАЛЫҚ КҮТІМ

Бұйымға техникалық күтім жасауды, қызмет көрсетуді және жөндеуді тек тиісті түрде үйретілген қызметкерлер ғана жүргізулері тиіс.

⚠ Бұйымға мақұлданбаған бөлшектерді пайдалану немесе оны рұқсатсыз жаңарту пайдаланушының денсаулығына және өміріне қатер төнуінің себебі болуы және кез-келген кепілдіктің заңды күшін жоюы мүмкін.

Осы респиратор аз техникалық жөндеуді талап етеді. Егер бөлшектер бұзылған болса, олар жарамсыз деп танылады да ауыстырылады. Барлық ауыстырылған бөлшектер жанды түрде қондырылуы тиіс.

НЕ	ҚАШАН
Негізгі тексеру	Пайдаланудың алдында Егер үнемі пайдаланылмайтын болса, ай сайын
Тазалау	Пайдаланылған соң

Денсаулықты қорғау және қауіпсіздік техникасы бойынша ережелердің талаптарын сақтау үшін дуылғаны ай сайынғы тексеру кезеңінде техникалық күтім жасау жазбасын жүргізу қажет. Аталған жазбалар кемінде 5 жыл бойы жүргізіледі.

АҚАУЛЫҚТЫ АЙҚЫНДАУ

Белгісі	Ықтимал себебі	Шешімі
Ауа ағыны жоқ	1. Сыртқы ауа беру ажыратылған 2. Сығылған ауа беретін түтік бітеліп қалған 3. Құрылғыда ақау бар	1. Ауа берілуін қосыңыз 2. Ауа беретін түтікті тексеріңіз 3. Құрылғыны ауыстырыңыз
Төмен ауа ағыны (Ағынды тексерудің бұзылуы).	1. Сыртқы ауа беру қысымы немесе ағын төмен 2. Aircase – ауа сүзу құрылғысы бітеліп қалған (пайдаланылып жатса) 3. Құрылғыда ақау бар	1. Ауа беру қысымы мен ағыны тексеріңіз 2. Aircase құрылғысын тексеріңіз 3. Құрылғыны ауыстырыңыз
Иісті айқындау	1. Бет маскасы нашар қондырылған немесе бұзылған. 2. Aircase – ауа сүзу құрылғысына техникалық қызмет қажет (пайдаланылып жатса) 3. Сыртқы ауаның берілуі ластанған	1. Бет маскасын қондырыңыз немесе ауыстырыңыз. 2. Aircase құрылғысын тексеріңіз 3. Сыртқы ауа берілуінің сапасын тексеріңіз

Тазалау нұсқауы

Әрбір пайдаланғаннан кейін тазалау керек

Бет маскасын (сүзгіштері алып тастап) пайдаланушы нұсқаулығына сәйкес тазалаңыз.

Дуылғаны тазалау үшін шаруашылықтық сабынның судағы ертіңдісіне малынған таза шүберекті пайдаланыңыз.

Қолданудың алдында қосалқы бөліктердің ішкі жағының құрғақ екенін тексеріңіз.

Реттеуішті суға салмаңыз.

Өнімді тазалау үшін қысымдалған ауаны қолдануға болмайды.

Дуылғаны немесе оның қандай да бір бөлігін тазалау үшін бензинді, хлорлы майсыздандырғыш сұйықтықтарды (трихлорэтилен сияқты), органикалық еріткіштерді немесе абразивті тазалағыш заттарды пайдаланбаңыз.

Дезинфекция жүргізу үшін анықтамалық кітапшада суреттелгендей шүберекті пайдаланыңыз.

САҚТАУ ЖӘНЕ ТАСЫМАЛДАУ

Осы бұйымдар құрғақ, таза, күн сәулесі тікелей түспейтін орында, жоғары температура, бензин және еріткіштер бұлары көздерінен қашықта, қаптамада сақталуы тиіс.

Бұйымды -10°C температурасынан +50°C дейін немесе ылғалдылығы 90% жоғары болған ортада сақтауға болмайды

Егер дұрыс сақталынса осы бұйымның өндірілгеннен кейін жарамдылық уақыты 5 жыл

Бұйымның ерекше қаптамасы Еуропа Одағында тасымалдауға жарамды.

ТЕХНИКАЛЫҚ СПЕЦИФИКАЦИЯ

Тыныс жолдарын қорғау

Мақұлданған 3M™ маскасымен бірге қолданған кездегі EN14594 класына жататын 4A/4B

Мақұлданған 3M™ жартылай маскасымен бірге қолданған кездегі EN14594 класына жататын 3A/3B

Маскалар мен тыныс алу түтігі EN14594 стандартының жоғары деңгейдегі беріктік (B) талаптарына сәйкес келеді. Олар төмен және жоғары деңгейдегі беріктік (A және B) талаптарына сай келетін түрлі сығылған ауа беру түтіктерімен бірге қолдануға арналған. Топық мәліметтерді "Жабдықты белгілеу" тарауынан қараңыз.

Пайдалану шарттары

-0 to +40°C және <90 ылғалдылық %-ы

Берілетін қысым

Қысым ауқымы: 3,0 - 7,0 бар

Ең жоғары қысым: 10 бар

Келетін ауа ағынының сипаттамалары

Конструкция бойынша ең аз ауа ағыны (MMDF) 120 л / мин

Ең жоғары ағын (5-7 Бар): >310 л/мин.

Ең жоғары ағын (3-5 Бар): 200-310 л/мин.

Қолдану кезіндегі максималды Шектеулер

Масканың жартысы қамтылған ауа режимінде: 50 x Шектік Мағына.

Масканың жартысы қамтылған ауа режимінде: 200 x Шектік Мағына.

Ажыратылған кезде Ең Жоғары Пайдалану Шоғырлану сәйкес сүзгіш Нұсқаулығы Парағында айтылғандай деңгейлерге байланысты (мысалы, A1 сүзгіштері масканың жартысына қондырылған кезде, ең жоғары пайдалану шоғырлануы қамтылған ауа ағынында 50 x TLV болады, бірақ тек ауа ажыратылуымен 10 x TLV).

Сығылған ауаны беру құбыры (CAST)

EN14594 "B" үшін қалыпты жұмыс күйі.

Ең жоғары ұзындығы (CAST): 30 метр

Ең жоғарғы Қауіпсіз Жұмыс жасау Қысымы: 10 Бар

МАҚҰЛДАУЛАР

Осы бұйымдар Еуропалық Қауымдастықтың 89/686/ЕЕС Директивасы (Жеке қорғану құралдары бойынша Директива) талаптарына сәйкес келеді, сондықтан CE белгісімен белгіленген.

EO Типтік сынақтарды жүргізу нұсқауларының 10-бабы мен EO Сапаны бақылау сынақтарын жүргізу нұсқауларының 11-бабына сәйкес куәліктерді берген - BSI, Kitemark Court, Дэйви данғылы, Knowlhill, Милтон Кейнес, MK5 8PP, Ұлы Британия (Хабарланған орган нөмірі 0086).



Please read this User Instruction and Reference Leaflet in conjunction with the appropriate 3M™ Facepiece or 3M™ Filter User Instruction where you will find information on:

Approved combinations of 3M™ Face masks and 3M™ Filters

- Spare parts
- Accessories

⚠ Particular attention should be given to warning statements where indicated.

UNPACKING

Your 3M™ Supplied Air Regulator S-200+ should contain:

- Regulator assembly (S-212)
- Breathing tube (S-222)
- Belt
- Overflow Valves
- Flow Check Device (FCB-01)

SYSTEM DESCRIPTION

The 3M™ Supplied Air Regulator S-200+ is designed to be used in conjunction with an approved 3M™ Face Piece (See reference leaflet). This product meets the requirements of EN14594 (Respiratory protective devices – Continuous flow compressed air line breathing apparatus). The adjustable regulator/flow control unit is waist mounted and fitted with an inlet plug and an auxiliary outlet port capable of accepting paint spray equipment or pneumatic tools. The Supplied Air Regulator is designed and approved for use in Dual-mode or Supplied Air mode with the 3M™ Face Pieces and Filters shown in the Reference Leaflet.

Dual Mode

- In this mode, the appropriate particulate and/or gas and vapour filters are fitted to the breathing tube.
- The attached filters will provide protection when the compressed air supply is disconnected or when air supply connection is not possible (e.g entry to and exit from contaminated areas).
- The user must select filters capable of providing protection against the contaminant.
- A pair of identical filters must be used at all times.
- The effective life of a pair of filters will vary depending on the level of contaminant, work rate, exposure time etc. Filters should be replaced when the wearer can detect breakthrough of the contaminant by taste or smell. Regular filter replacement before any contaminant is detected is however highly recommended.
- Filters must be replaced as a pair even if no contaminant is detected, WITHIN 1 month. If in any doubt, always replace the filters with a new pair.
- Further instructions and warnings concerning the selection, use and replacement of filters in this mode will be found in the Filter and Face Piece user instructions.
- Excess air may flow out through the filters, either at higher regulator settings or during exhalation.
- Excess moisture in the air supply may adversely affect filter life.
- **Only filters designed for half masks can be used with the 3M Breathing tube as shown in the Reference Leaflet.**

Supplied Air Mode

- The 3M™ Supplied Air Regulator S-200+ together with 3M™ Face Pieces with bayonet connectors can be used in supplied air mode, using an external source of breathable quality compressed air.
- Excess air may flow out of the overflow valves at higher regulator settings or during exhalation.

⚠ WARNING

- **Proper selection, training, use and appropriate maintenance are essential in order for the product to help protect the wearer from certain airborne contaminants. Failure to follow all instructions on the use of these respiratory protection products and/or failure to properly wear the complete product during all periods of exposure may adversely affect the wearer's health, lead to severe or life threatening illness or permanent disability.**
- For suitability and proper use follow local regulations, refer to all information supplied or contact an occupational hygienist, safety professional or 3M representative on the Tech Assist Helpline 3M Australia 1800 024 464, 3M New Zealand 0800 364 357.

See all instructions for use and save for continuing reference.

Use this respirator system strictly in accordance with all instructions:

- - contained in this booklet,
- - accompanying other components of the system.
- Do not use in concentrations of contaminant above those specified in the Technical Specification.
- Do not use for respiratory protection against unknown atmospheric contaminants or when concentrations of contaminants are unknown or immediately dangerous to life or health (IDLH).
- Do not use in atmospheres containing less than 19.5% oxygen. (3M definition. Individual countries may apply their own limits on oxygen deficiency. Seek advice if in doubt).
- Only use with the Face Pieces, Filters, Spares and Accessories listed in the Reference Leaflet and within the usage conditions given in the Technical Specification.
- Only for use by trained competent personnel.
- Leave the contaminated area immediately if:
 - Any part of the system becomes damaged.
 - Airflow to the face piece decreases or stops.
 - Breathing becomes difficult.
 - Dizziness or other distress occurs.
 - You smell or taste contaminants or irritation occurs.
- Never modify or alter this product. Replace parts only with original 3M spare parts.
- Do not use oxygen or oxygen-enriched air.
- In case of intended use in explosive atmospheres, contact 3M Technical Service.
- When used in temperatures below +4°C, the moisture content of the breathing air should be controlled to avoid it freezing the apparatus.
- Always ensure that:
 - the source of air supply is known;
 - the purity of the air supply is known;
 - the air supply is of a breathable quality, to EN12021.
- Ensure the capacity of the air supply system is sufficient for every user connected to it.
- If it is intended to drive pneumatic accessories via the auxiliary port, always ensure that at least minimum flow conditions to the face piece are met when the accessory is consuming its maximum airflow requirement.

The minimum pressure required when using an air tool is 4.5 Bar. For more information on Air tool compatibility please contact 3M.

- **When in use this product is capable of producing excessive noise levels at the ear. Hearing protection should be made available as required.**
- At very high work rates, the pressure inside the Face Piece may become negative at peak inhalation flow.
- This product should only be used in work situations where the risk of damage to the compressed air supply tube is low and where movements of the wearer are limited. The compressed air supply should be equipped with an appropriately rated and adjusted pressure relief safety valve.
- The regulator is fitted with double action safety couplings. Take care when disconnecting the breathing tube and Compressed Air Supply Tube. Always ensure that double action couplings are used together. The breathing tube is marked S-222 and the coupling on the regulator is marked 'S' to indicate that double action safety fittings are used.
- These units are not to be used with mobile compressed air supply systems
- If any air leaks are detected whilst the system is in use, leave the contaminated area immediately and under no circumstance attempt to stop the leak with any part of the body.
- Do not remove the sealing rings as this could adversely affect the performance of the system.

⚠ Do not use with beards or other facial hair that may inhibit contact between the face and the product thus preventing a good seal.

- The system must not be used with filters attached where there is a possibility of accidental water immersion.
- The system should be checked and filters replaced should the unit or filters be exposed to flames.
- Materials which may come into contact with the wearer's skin are not known to cause allergic reactions to the majority of individuals.
- This product contains no components made from natural rubber latex.

MARKING

For Face Piece marking please see appropriate user instruction.
The S-212 Regulator is marked to EN14594 4B and EN14594 3B and with a date of manufacture.

The Compressed Air Supply Tubes are marked to EN14594. They are also marked as follows:

308-00-40P is marked A - suitable for use with Class A devices (EN14594).
308-00-72P is marked 'Heat Resistant' and 'Anti static'.

PREPARATION FOR USE

Check apparatus is complete, undamaged and correctly assembled. Any damaged or defective parts must be replaced with original 3M spare parts before use.

Undertake pre-use checks on the facepiece as outlined in the appropriate user instructions.

Make sure that the sealing rings are in place prior to use.

Ensure that the accessory plug is fitted and replaced correctly after use.

Assembly

1. Fit the belt to the regulator as shown in Figure 1.
2. Fit the breathing tube to the regulator as shown in Figure 2.
3. Fit the breathing tube to the face piece as shown in Figure 3.

NOTE: Ensure that the 3M symbol on the 'Y' piece of the breathing tube is facing up to ensure correct alignment of the breathing tube.

4. If the system is to be used in the SUPPLIED AIR MODE, then a pair of OVERFLOW VALVES MUST BE FITTED to the breathing tube (See Figure 4). If the system is to be used in the DUAL MODE then a pair of CORRECT FILTERS MUST BE FITTED to the breathing tube (See Figure 5).
5. Connect the compressed air supply tube between the optional 3M Aircare - Air Filtration Unit and the S-200+ Regulator, ensuring the pressure at the Air Filtration Unit is adjusted as described in section, Technical Specifications.
6. Before use, adjust the regulator to its lowest flow setting and undertake an airflow check using the airflow check bag (See Figure 6). Ensure that a good seal is formed with your hand around the opening in the bag.

OPERATING INSTRUCTIONS

DONNING

1. Adjust and buckle the waistbelt with the regulator fitted comfortably around your waist.
2. Adjust and fit the facepiece as outlined in the appropriate user instruction.
3. Ensure at least minimum airflow into the facepiece is achieved and adjust the airflow of the regulator for maximum comfort.

IN USE

If during use the air supply stops or is reduced, vacate the contaminated area immediately and investigate the cause.

Take care to prevent the breathing tube from becoming looped around protruding objects. If this should occur vacate the contaminated area and check apparatus is undamaged.

The 'in-use' life of the product will vary with frequency and conditions of use.

In everyday use, it is recommended that the product is discarded after approximately 5 years service, provided the product is stored and maintained as stated below.

Some extreme conditions may result in deterioration over a shorter period.

DOFFING

Do not remove the face piece, filters or turn off the air supply until you have vacated the contaminated area.

1. Remove the facepiece, in accordance with the relevant user instructions.
2. Disconnect the compressed air supply tube from the regulator.
3. Unbuckle the waist belt.

NOTE

Do not disconnect the breathing tube from the regulator whilst the system is pressurised as this will lead to the release of high pressure air.

If the respirator has been used in an area that has caused it to become contaminated with a substance requiring special decontamination procedures it should be placed in a suitable container and sealed until it can be decontaminated or discarded.

MAINTENANCE

Maintenance, servicing and repair must only be carried out by properly trained personnel.

⚠ Use of unapproved parts or unauthorised modification could result in danger to life or health and can invalidate any warranty.

This respirator is designed for minimum maintenance. If any components are damaged, they should be discarded and replaced. All replacement parts must be correctly installed.

WHAT	WHEN
General Inspection	Before use Monthly if not in regular use
Cleaning	After use

A maintenance record should be kept to comply with AS/NZS1715. This record should be kept for at least 5 years.

FAULT FINDING

Symptom	Possible Cause	Remedy
No Airflow	1. External air supply turned off 2. Compressed air supply tube blocked or trapped 3. Unit defective	1. Turn on supply 2. Check supply tube 3. Replace unit
Low Airflow (Failing flow check)	1. Low external air supply pressure or flow 2. Aircare – Air filtration unit blocked (if used) 3. Unit defective	1. Check supply pressure and flow 2. Check Aircare unit 3. Replace unit
Odour Detected	1. Facepiece poorly fitted or damaged 2. Aircare – Air filtration unit requires maintenance (if used) 3. External air supply contaminated	1. Refit or replace facepiece 2. Check Aircare unit 3. Check quality of external supply

CLEANING INSTRUCTIONS

Cleaning is recommended after each use.

Clean the facepiece (excluding filters) in accordance with the facepiece user instructions.

Use a clean cloth dampened with a mild solution of water and liquid household soap.

Ensure that the interiors of the components are dry before use.

Do not immerse the regulator assembly in water.

Do not use compressed air for cleaning the product.

Do not use petrol, chlorinated degreasing fluids (such as trichloroethylene), organic solvents or abrasive cleaning agents to clean any part of the equipment.

To disinfect use wipes as detailed in Reference Leaflet.

STORAGE AND TRANSPORTATION

These products should be stored in the packaging provided in dry, clean conditions away from direct sunlight, sources of high temperature, petrol and solvent vapours.

Do not store outside the temperature range -10°C to +50°C or with humidity above 90%.

When stored as stated, the expected shelf life of the 605X, 6075 and 609X products is 5 years from date of manufacture.

The original packaging is suitable for transporting the product.

TECHNICAL SPECIFICATION

Respiratory Protection

EN14594 Class 4A/4B when combined with an approved 3M™ Full Facepiece.

EN14594 Class 3A/3B when combined with an approved 3M™ Half Mask.

The facepieces and breathing tube meet the higher strength (B) requirements of EN14594. They are approved for use with a range of compressed air supply tubes that meet both the lower and higher strength (A and B) requirements. Please see Equipment Marking section for information.

Operating Conditions

-0 to +40°C and <90 % humidity

Inlet Pressure

Pressure Range: 3.0 - 7.0 bar

Maximum pressure: 10 bar

Outlet Flow Characteristics

Manufacturers Minimum Design Flow (MMDF) 120 l/min

Maximum Flow (5-7 Bar): >310 l/min

Maximum Flow (3-5 Bar): 200-310 l/min

Maximum Use Limitation

Half Mask in supplied air mode: 50 x Threshold Limit Value.

Full Facepiece in supplied air mode: 200 x Threshold Limit Value.

When disconnected the Maximum Use Concentration will depend on the levels quoted in the relevant Filter Instruction Leaflet (e.g. When A1 filters are fitted to a half mask, the maximum use concentration would be 50 x TLV in supplied air mode, but only 10 x TLV with the air disconnected).

Compressed Air Supply Tube (CAST)

Standard duty to EN14594 'B'.

Maximum Length (CAST): 30 metres

Maximum Safe Working Pressure: 10 Bar

APPROVALS

These products meet the requirements of the European Community Directive 89/686/EEC (Personal Protective Equipment Directive) and are thus CE marked.

Certification under Article 10, EC Type-Examination and Article 11, EC Quality Control, has been issued by BSI, Kitemark Court, Davy Avenue, Knowlhill, Milton Keynes, MK5 8PP, UK (Notified body number 0086).

3M United Kingdom PLC

3M Centre, Cain Road
Bracknell, RG12 8HT
0870 60 800 60

3M Ireland

The Iveagh Building, The Park
Carrickmines, Dublin 18
1 800 320 500

3M South Africa

146a Kelvin Drive, Woodmead
Sandton 2128, Johannesburg
+27 11 806 2230

3M Gulf Ltd.

P.O. Box 20191
Building 11, Third Floor, Dubai
Internet City, Deira
+ 971 4 367 0777

3M Egypt Trading Ltd.

Sofitel Tower, 19th Floor,
Corniche el-Nil St.
Maadi, Cairo
+202 2525 9007

3M France

Bd de l'Oise
95006 Cergy Pointoise Cedex
+33 1 30 31 61 61

3M (Schweiz) AG

Eggstrasse 93, Postfach
8803 Rüslikon
+41 1 724 92 21

3M Belgium bvba/sprl

Hermeslaan 7
1831 Diegem
+32 2 722 51 11

3M Deutschland GmbH

Carl-Schurz-Str. 1
41453 Neuss
+49 2131 14 26 04

3M Österreich GmbH

Kranichberggasse 4
1120 Wien
+43 1 86686 0

3M Italia srl

Via Norberto Bobbio 21
20096 Pioletto (MI)
+39 02 70351

3M España,S.A.

Juan Ignacio Luca de Tena, 19-25
28027 Madrid
+34 91 321 62 81

3M Nederland B.V.

Industrieweg 24
2382 NW Zoeterwoude
+31 71 5450365

3M Svenska AB

Bollstanäsvägen 3
191 89 Sollentuna
+46 8 92 21 00

3M (Denmark)

Hannemans Alle 53
DK 2300 København S
+45 43480100

3M Norge AS

Avd. Verneprodukter
Postboks 100, 2026 Skjetten
Tlf: 06384

Suomen 3M Oy

PL 600 (Keilaranta 6)
02151 Espoo
p. +358 9 525 21

3M Portugal, Lda

Rua do Conde de Redondo 98
1169-009 Lisboa
+351 21 313 45 00

3M Hellas MEPE

Κηφισίας 20,
151 25, Μαρούσι, Αθήνα, Ελλάδα
+30 210 68 85 300

3M Poland Sp. z o.o.

Aleja Katowicka 117, Kajetany K /
Warszawy
05-830 Nadarzyn
+48 22 739 60 00

3M Hungária Kft.

1138 Budapest
Váci út 140.
+36 1 270 7713

3M Česko, s.r.o.

V Parku 2343/24
148 00 Praha 4
+420 261 380 111

3M Slovensko s.r.o.

Vajnorská 142
831 04 Bratislava
+421 2 49 105 230

3M (East) AG

Podružnica v Ljubljani
Cesta v Gorice 8, SI-1000 Ljubljana
+386 1 2003 630

3M ישראל בע"מ

רחוב מדינת יהודים 91
הרצליה - 2042. ת.ד.
+972 9 961 5000

3M Eesti OÜ

Pärnu mnt. 158
11317 Tallinn
+372 6 115 900

3M Latvija SIA,

K. Ulmaņa gatve 5,
Rīga, LV-1004
+371 67 066 120

3M Lietuva

A. Goštauto g. 40A
LT-01112 Vilnius
+370 5 216 07 80

3M România

Bucharest Business Park, Str.
Menuetului 12, clădirea D, et.3,
013713 Bucharest
+40 21 2028000

3M Россия

121614, Москва,
ул. Крылатская, д. 17, стр. 3, Б.Ц.
«Крылатские Холмы»
+7 495 784 74 74

3M Belarus Representation Office

Mogilevskaya str 18, office 4
220007 Minsk
+ 375 172 10 41 85

3M (East) AG

"BRIDGE Plaza" 4th floor, 12
Bakikhanov street
Baku AZ 1065
+994 12 404 5050

3M Україна

вул. Амосова, 12, 7-ий поверх
03680, Київ, Україна
тел.: +38 044 490 57 77

3M (EAST) AG PODRUŽNICA RH

Slavonska avenija 26/7
10000 Zagreb
+385 1 2499 750

3M България

Младост 4, бизнес парк
София, сграда 4, етаж 2
1766 София, България
тел: 02/9601911, факс
02/9601926

3M Representation Office Beograd

Milutina Milankovica 23
11070 Novi Beograd
+381 11 3018459

3M Turkey

Şehit Sinan Eroglu Cad. Akel Is
Merkezi, No: 6, A Blok
34805 Kavacik / Beykoz/
ISTANBUL-TURKEY
+90 216 538 07 77

3M Қазақстан ЖШС

Қазақстан Республикасы,
050051 Алматы қ., «Көктем-2»
бизнес-орталығы,
Фонвизин к-сі 17А, 3-ші
қабатты,
тел.: +7 727 333 0000, факс: +7
727 333 0001

3M Australia Pty Limited

1 Rivett Road, North Ryde
N.S.W. 2113
+61 (1)800 024 464

3M New Zealand Limited

94 Apollo Drive, Rosedale
AUCKLAND 0632, New Zealand
+64 (0)800 364 357



3M