

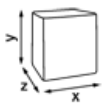
# Katrin Inclusive Centerfeed M Dispenser - White

90120

- The lock can be used with or without a key
- Easy to insert a new roll through the open space inside the loading section
- No searching around inside the dispenser opening for the loose end of the paper roll
- Safe cutting system
- Many different tissue paper options, both coreless and rolls with detachable cores
- Katrin Inclusive Dispensers are quality checked by Bureau Veritas for performance, durability, Hazardous substances, Workmanship, Controlled production



## Product / Consumer pack



x 263 mm  
y 403 mm  
y 240 mm

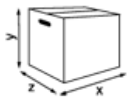


White



1586 kg

## Transport pack



x 266 mm  
y 425 mm  
z 240 mm



1

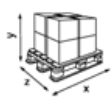


2015 kg



6414300090120

## Transport pallet



x 800 mm  
y 1000 mm  
z 1200 mm



30

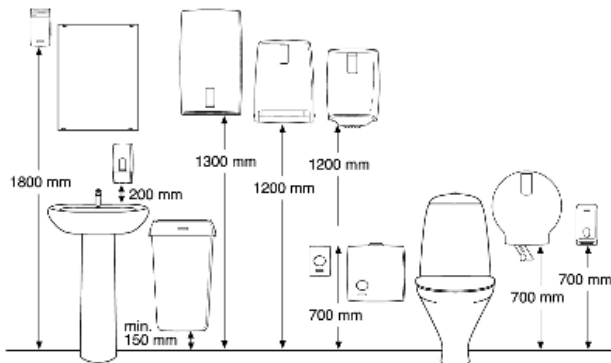


856 kg



6414300090137

## Measurements and installing



## Related products



464414  
**Katrin Classic M 2  
Blue laminated**



433382  
**Katrin Basic M 300**



74540  
**Katrin Basic M**



74526  
**Katrin Basic M2**



62141  
**Katrin Classic M2  
Blue**



485049  
**Katrin Classic M**



481911  
**Katrin Classic M 2**



448611  
**Katrin Plus M 2  
Coreless**



475358  
**Katrin Plus M  
Coreless**



476027  
**Katrin Plus M**



447627  
**Katrin Plus M 2**