

Product leaflet

Product	Model designation	Ordering No.
Powered air purifying respirator	SR 500 EX	H06-2012

Product description

The SR 500 EX fan is explosion-proof and specially adapted for use in an explosive atmosphere. The SR 500 EX is included together with filters and head-tops in Sundström fan-assisted respiratory protective devices. The SR 500 EX can be used as an alternative to filter protections in all situations in which the latter are recommended. This applies particularly to situations in which the work is intensive, hot or of long-duration. The fan is equipped with filters and the filtered air is supplied through a breathing hose to the head-top. The latter is then pressurized, which prevents the surrounding pollutants from being admitted.

The SR 500 EX has the following characteristics:

- Explosion proof
- Automatic control of the air flow
- Same control button is used for starting, stopping and selection of operating conditions
- Display with symbols for different operating conditions
- Alarm with audible/visual signals if the air flow is obstructed
- NiMH battery
- Operating time of up to six hours
- Charging time about 2 hours
- Equipped with two filters/filter combinations
- Can be used together with hoods SR 520, SR 530, SR 561, SR 562, face shield SR 540 EX, helmet with visor SR 580 or full face mask SR 200.

Technical specification

	SR 500 EX	EN 12941:1998	EN 12942:1998
Air flow rate	175/225 l/min	≥ 120 l/min	
NiMH battery	13.5 V, 2.1 Ah	-	-
Operating times at 175/225 l/min:			
With particle filter P3	6.5 h/4 h	≥ 4 h	≥ 4 h
Weight with battery and P3 filter	≈ 1840 g	≤ 3500 g	≤ 3500 g
Service temperature	-10 to +40 °C, < 90 % RH	-	-
Storage temperature	-20 to +40 °C, < 90 % RH	-	-
Low flow warning level	< 175 l/min	≤ 175 l/min	≤ 175 l/min
Assigned Protection Factor¹ w hoods, SR 540 EX, SR 580	40 (TH3)	-	-
Assigned Protection Factor¹ w SR 200	40 (TM3)	-	-
Nominal Protection Factor² w hoods, SR 540 EX, SR 580	500 (TH3)	-	-
Nominal Protection Factor² w SR 200	2000 (TM3)	-	-
Approvals	Directive	Standards	Classification/markings
	PPE 89/686/EEC ATEX 2014/34/EU	EN 12941:1998, EN 12942:1998 EN 60079-0:2012, EN 60079-11:2012, EN 13463-1:2009	TH3/TM3 Ex II 2 G Ex ib IIA T3 Gb ³⁾ Ex II 2 G Ex ib IIB T3 Gb ⁴⁾ Ex II 2 D Ex ib IIIC T195°C Db ⁵⁾ Ex ib IIA T3 Gb ³⁾ , Ex ib IIB T3 Gb ⁴⁾ Ex ib IIIC T195°C Db ⁵⁾
	IECEx Scheme	IEC 60079-0:2011, IEC 60079-11:2011,	

1) Specified in BS 4275 and applies generally to all approved fan-assisted respiratory protective devices, regardless of the test results.

2) According to EN 529:2005.

3) SR 500 EX together with shield SR 540 EX, helmet with visor SR 580 or full face mask SR 200 with PC visor.

4) SR 500 EX together with hoods SR 520, SR 530, SR 561, SR 562 or full face mask SR 200 with glass visor.

5) SR 500 EX together with all Sundström head tops.

Key to ATEX marking

Ex	Explosion protection mark.
II	Equipment group (explosive atmospheres other than mines with fire damp).
2 G	Equipment category (2 = High level of protection for Zone 1, G = Gas).
2 D	Equipment category (2 = High level of protection for Zone 21, D = Dust).
Ex	Explosion protected.
ib	Type of protection (Intrinsic safety).
IIA	Gas group (Propane).
IIB	Gas group (Ethylene).
IIIC	Dust material group (zone with conductive dust).
T3	Temperature class, gas (maximum surface temperature +200°C).
T195°C	Temperature class, dust (maximum surface temperature +195°C).
Gb	Equipment Protection Level, gas (high protection).
Db	Equipment Protection Level, dust (high protection).

Key to IECEx marking

Ex	Explosion protected.
ib	Type of protection (Intrinsic safety).
IIA	Gas group (Propane).
IIB	Gas group (Ethylene).
IIIC	Dust material group (zone with conductive dust).
T3	Temperature class, gas (maximum surface temperature +200°C).
T195°C	Temperature class, dust (maximum surface temperature +195°C).
Gb	Equipment Protection Level, gas (high protection).
Db	Equipment Protection Level, dust (high protection).



Head Office

Tel: +46 10 484 87 00

Visiting address:
Stockholmsvägen 33
SE-181 33 Lidingö

Factory

Tel: +46 10 484 87 00

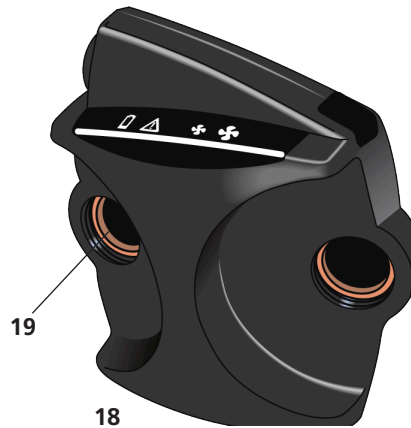
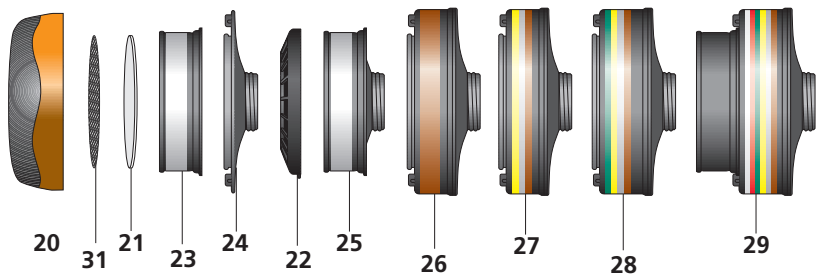
Visiting address:
Västergatan 4
SE-341 50 Lagan

Sundström
www.srsafety.com



Head-tops, spare parts and accessories

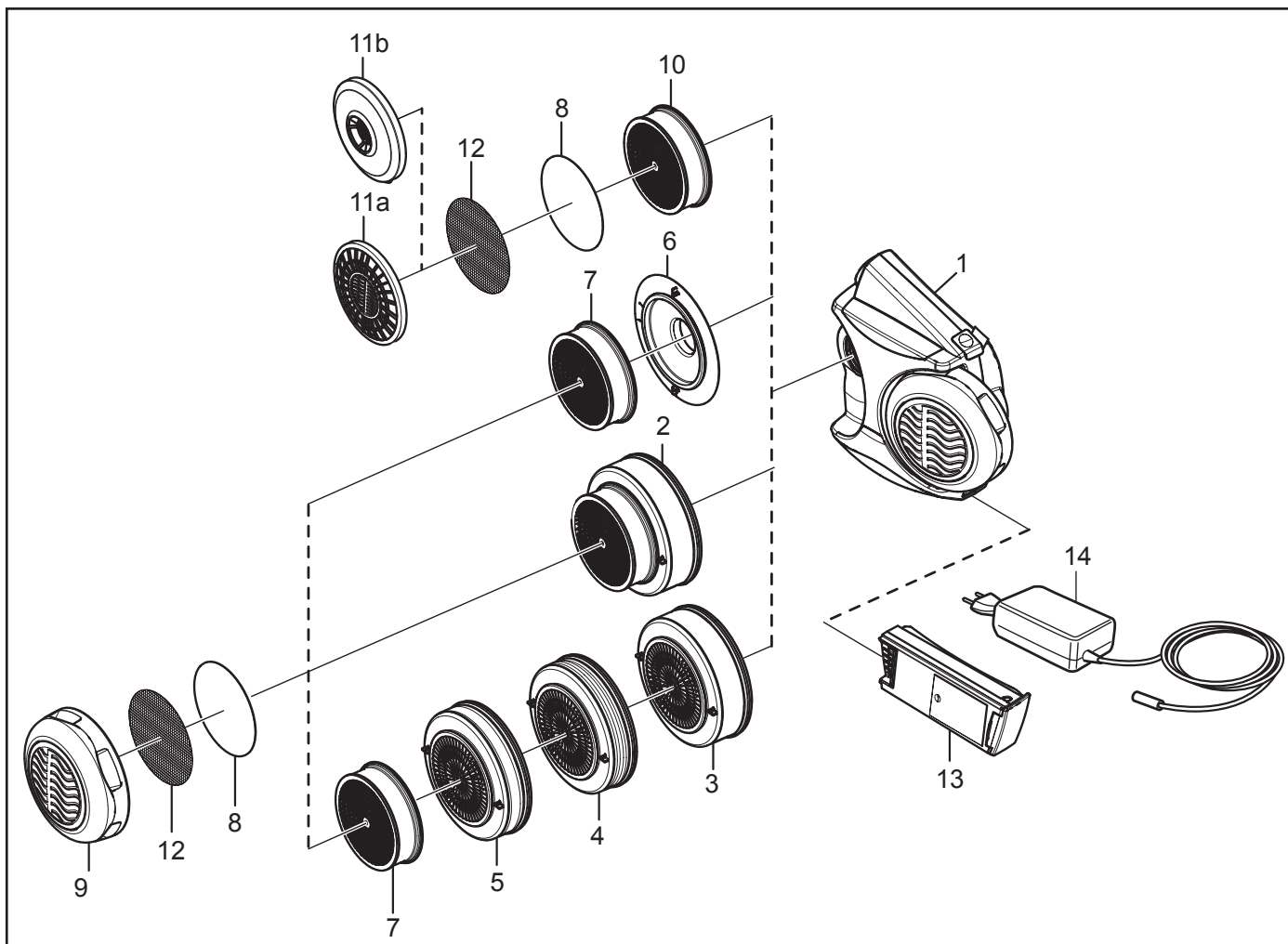
Item No.	Part	Ordering No.
1.	Hood SR 561	H06-5012
2.	Hood SR 562	H06-5112
3.	Hood SR 520 M/L	H06-0212
3.	Hood SR 520 S/M	H06-0312
4.	Hood SR 530	H06-0412
5.	Face shield SR 540 EX	H06-6012
6.	Full face mask SR 200, PC visor	H01-1212
6.	Full face mask SR 200, glass visor	H01-1312
7.	PU hose SR 550 for SR 200	T01-1216
7.	Rubber hose SR 551 for SR 200	T01-1218
8.	Helmet with visor SR 580	H06-8012
9.	Hose SR 541 for SR 540	R06-0501
10.	O-ring for breathing hose	R06-0202
11.	Flat gasket for hose SR 541	R06-0506
12.	Flow meter SR 356	R03-0346
13.	Belt SR 508 EX	R06-2148
13.	Rubber belt SR 504 EX	T06-2150
14.	Leather belt SR 503 EX	T06-2149
15.	Harness SR 552 EX	T06-2002
16.	Battery SR 501 EX, 2,1 Ah	R06-2002
17.	Battery charger SR 513 EX	R06-2003
18.	Fan SR 500 EX, bare	R06-2001
19.	Gasket for fan	R06-0107
20.	Pre-filter holder SR 512 EX	R06-2023
21.	Pre-filter SR 221	H02-0312
22.	Pre-filter holder SR 5153 for SR 710	R01-0604
23.	Particle filter P3 R, SR 510	H02-1312
24.	Filter adapter SR 511	R06-0105
25.	Particle filter P3 R, SR 710	H02-1512
26.	Gas filter A2, SR 518	H02-7012
27.	Gas filter ABE1, SR 515	H02-7112
28.	Gas filter A1BE2K1, SR 597	H02-7212
29.	Combined filter A1BE2K1-Hg-P3 R, SR 599	H02-7312
30.	Storage bag SR 505	T06-0102
31.	Steel net disc SR 336	T01-2001
32.	Vaseline tube	R06-2016
33.	Plug kit	R06-0703





SR 500 EX

SYSTEM OVERVIEW

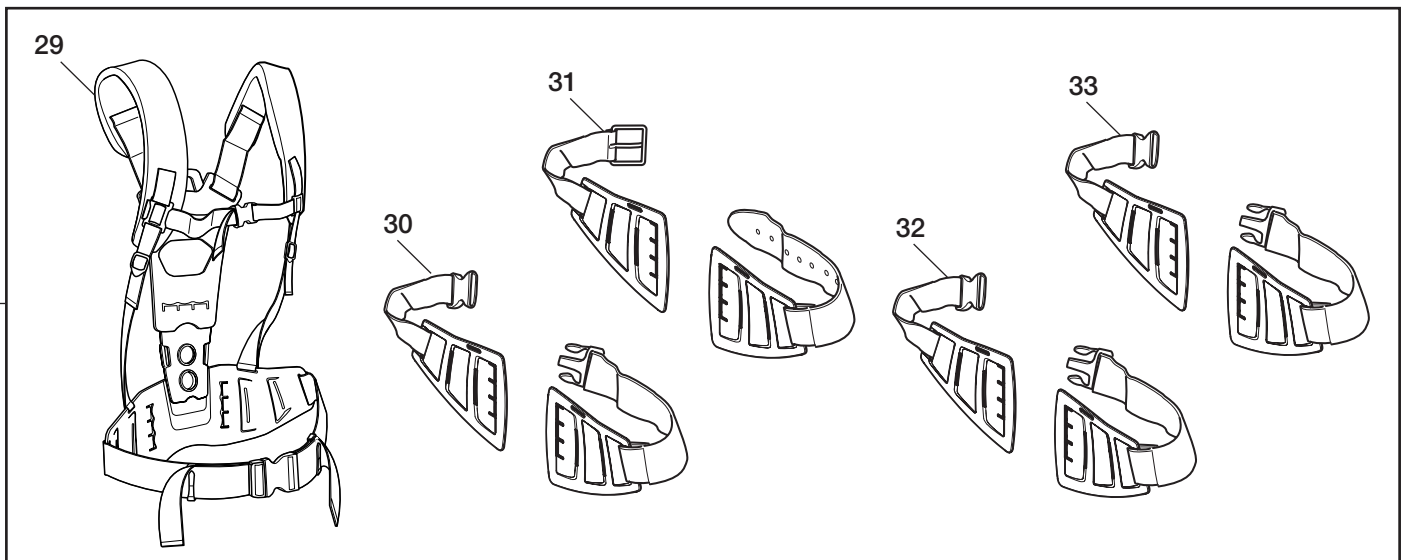
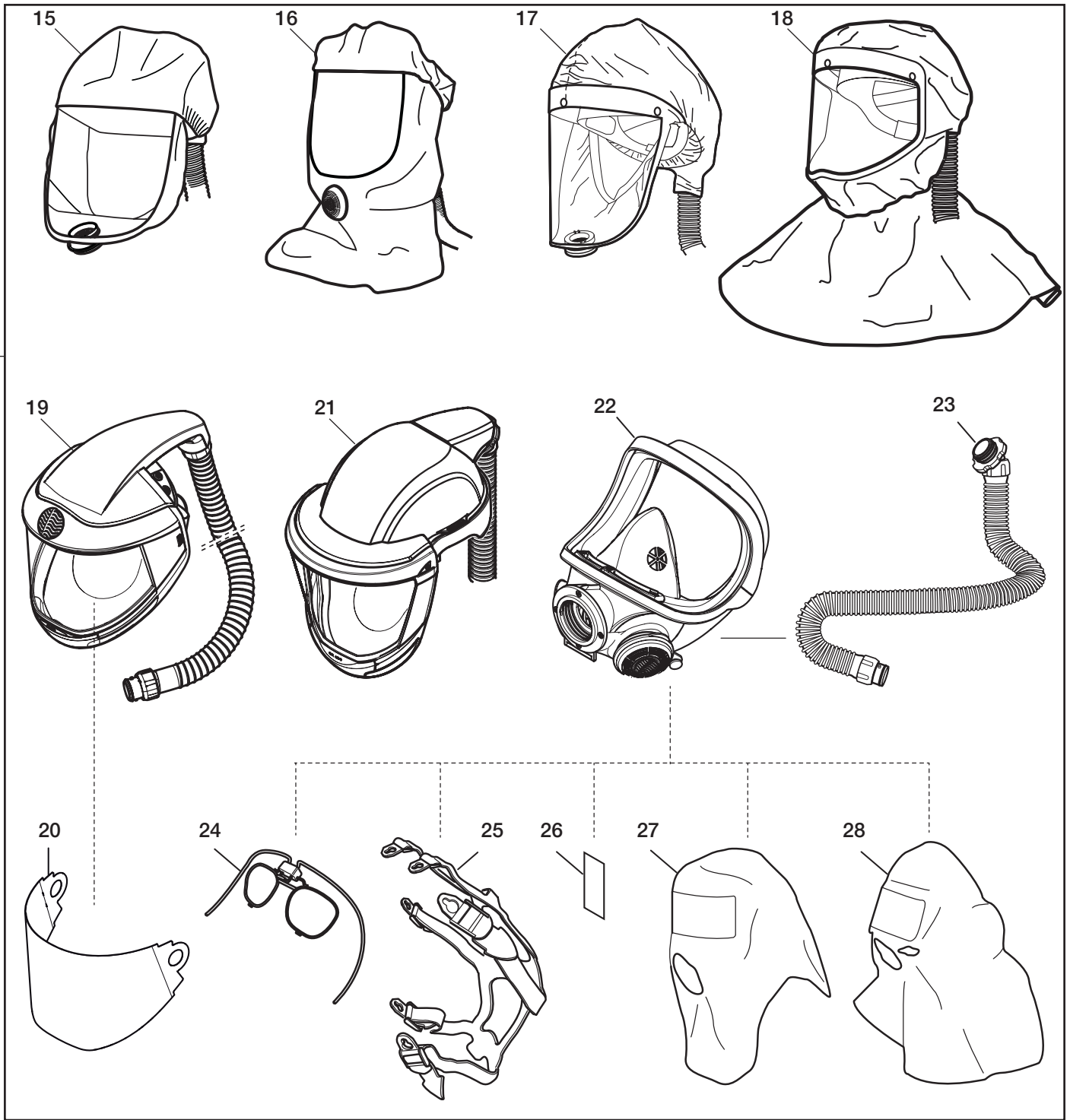


No.	Description	Name	Art No.	ATEX code
1.	Fan unit	SR 500 EX	R06-2001	
2.	Combined filter A1BE2K1-Hg-P3 R	SR 599	H02-7312	
3.	Gas filter A1BE2K1	SR 597	H02-7212	
4.	Gas filter ABE1	SR 515	H02-7112	
5.	Gas filter A2	SR 518	H02-7012	
6.	Filter adapter	SR 511	R06-0105	
7.	Particle filter P3 R	SR 510	H02-1312	
8.	Pre-filter	SR 221	H02-0312	
9.	Pre-filter holder	SR 512 EX	R06-2023	
10.	Particle filter P3 R	SR 710	H02-1512	
11a.	Pre-filter holder	SR 5153	R01-0604	
11b.	Pre-filter holder		R01-0605	A)
12.	Steel net disc	SR 336	T01-2001	
13.	Battery	SR 501 EX	R06-2002	
14.	Battery charger	SR 513 EX	R06-2003	
15.	Hood	SR 520 S/M	H06-0312	B)
	Hood	SR 520 M/L	H06-0212	B)
16.	Hood	SR 530	H06-0412	B)
17.	Hood	SR 562	H06-5112	B)
18.	Hood	SR 561	H06-5012	B)
19.	Face shield	SR 540 EX	H06-6012	A)
20.	Alt. Visor	SR 545	T06-0502	
21.	Helmet with visor	SR 580	H06-8012	A)

No.	Description	Name	Art No.	ATEX code
22.	Full face mask laminated glass visor	SR 200	H01-1312	B)
	Full face mask PC-visor	SR 200	H01-1212	A)
23.	Breathing hose PU	SR 550	T01-1216	
	Breathing hose rubber	SR 551	T01-1218	
24.	Spectacle frame for corrective lenses	SR 341	T01-1201	
25.	Head harness rubber	SR 340	T01-1215	
26.	Name label	SR 368	R09-0101	
27.	Protective hood	SR 64	H09-0301	
28.	Chemical hood	SR 345	H09-1012	
29.	Harness EX	SR 552 EX	T06-2002	
30.	Belt cotton EX	SR 508 EX	R06-2148	
31.	Belt leather EX	SR 503 EX	T06-2149	
32.	Belt rubber EX	SR 504 EX	T06-2150	
33.	Belt PVC EX		T06-2151	

A) ⚠ II 2 G Ex ib IIA T3 Gb / II 2 D Ex ib IIIC T195°C Db

B) ⚠ II 2 G Ex ib IIB T3 Gb / II 2 D Ex ib IIIC T195°C Db



The fan unit SR 500 EX is manufactured within a quality management system accepted by
Notified Body 0194: INSPEC International Ltd.
Certification Services, 56 Leslie Hough way,
Salford, M6 6 AJ, England



Sundström Safety AB
SE-341 50 Lagan • Sweden
Tel: +46 10 484 87 00
info@srsafety.se • www.srsafety.com