

Product leaflet

Product
Full face mask

Model No.
SR 200, PC visor
SR 200, glass visor

Ordering No.
H01-1212
H01-1312

Product Description

The SR 200 full face mask is made of silicone and is produced in one size that will fit most face sizes. The mask is equipped with three inhalation valves and two exhalation valves, and the breathing resistance is therefore very low. The exhalation valve covers with baffles effectively protect the valves and membranes against dust and paint mist. The design and location of the exhalation valves improve the scope available for communicating. The material and pigments of the mask body are FDA- and BGA approved for exposure to provisions, which minimizes the risk of contact allergies. The easily adjustable elastic head harness of the mask is secured to the visor frame and to the exhalation valves which, together with a large crown plate, contributes towards a comfortable and secure fit. The spherical visor of the mask is made of scratch-resistant polycarbonate, which provides a large field of vision. The mask can be used either as a filtering device in combination with filters from the Sundström range of filters, or as a breathing apparatus with a continuous air flow together with the SR 307 compressed air attachment. The SR 200 can also be used as head top together with the Sundström fan unit SR 500 or SR 700. Holder for pre-filter is included.

The SR 200 full face masks together with the SR 500 EX fan are approved for use in a potentially explosive atmosphere. Best stored in box SR 344 alternatively storage case SR 339-1 or SR 339-2.

Technical specification

	SR 200	EN 136:1998, EN 166:2001, EN 148-1:1999	
Inhalation resistance at 30 l/min	≈ 10 Pa	≤ 50 Pa	
Exhalation resistance at 160 l/min	≈ 56 Pa	≤ 300 Pa	
Service temperature	-10 – +55 °C, < 90 % RH	-	
Storage temperature	-20 – +40 °C, < 90 % RH	-	
Weight	≈ 450 g	-	
Impact test with 6 mm dia. steel ball against PC-visor	120 m/s	120 m/s	
Standard thread connection	40 x 1/7"	40 x 1/7"	
Assigned Protection Factor ¹	40 (P3) 20 (GasX) 20 (GasX P3)	- - -	
Nominal Protection Factor ²	1000 (P3) 2000 (GasX) 1000 (GasX P3)	- - -	
Approvals	Directive PPE Regulation (EU) 2016/425 ATEX 2014/34/EU IECEx Scheme	Standards EN 136:1998 EN IEC 60079-0:2018, EN 60079-11:2012 IEC 60079-0:2017, IEC 60079-11:2011	Classification/markings Class 3 ³⁾ , Class 2 ⁴⁾ Ex II 2 G Ex ib IIA T3 Gb ⁵⁾ Ex II 2 G Ex ib IIB T3 Gb ⁶⁾ Ex II 2 D Ex ib IIIC T195°C Db ⁷⁾ Ex ib IIA T3 Gb ⁵⁾ , Ex ib IIB T3 Gb ⁶⁾ Ex ib IIIC T195°C Db ⁷⁾

1) Specified in BS 4275 and applies to all approved full-face masks with particulate filter P3, regardless of the test results.

2) According to EN 529:2005.

3) Applies to H01-1212 with PC visor.

4) Applies to H01-1312 with glass visor.

5) Applies to H01-1212 with PC visor together with SR 500 EX fan.

6) Applies to H01-1312 with glass visor together with SR 500 EX fan.

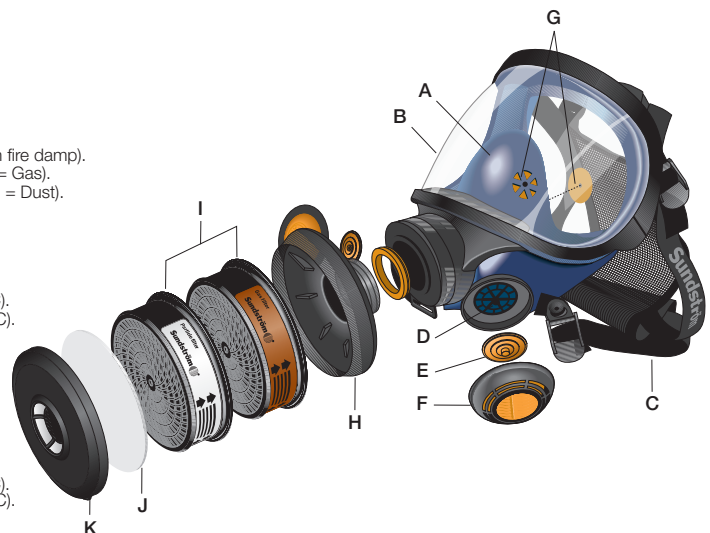
7) Applies to all SR 200 models together with SR 500 EX fan.

Key to ATEX marking

Ex	Explosion protection mark.
II	Equipment group (explosive atmospheres other than mines with fire damp).
2 G	Equipment category (2 = High level of protection for Zone 1, G = Gas).
2 D	Equipment category (2 = High level of protection for Zone 21, D = Dust).
Ex	Explosion protected.
ib	Type of protection (Intrinsic safety).
IIA	Gas group (Propane).
IIB	Gas group (Ethylene).
IIIC	Dust material group (zone with conductive dust).
T3	Temperature class, gas (maximum surface temperature +200°C).
T195°C	Temperature class, dust (maximum surface temperature +195°C).
Gb	Equipment Protection Level, gas (high protection).
Db	Equipment Protection Level, dust (high protection).

Key to IECEx marking

Ex	Explosion protected.
ib	Type of protection (Intrinsic safety).
IIA	Gas group (Propane).
IIB	Gas group (Ethylene).
IIIC	Dust material group (zone with conductive dust).
T3	Temperature class, gas (maximum surface temperature +200°C).
T195°C	Temperature class, dust (maximum surface temperature +195°C).
Gb	Equipment Protection Level, gas (high protection).
Db	Equipment Protection Level, dust (high protection).



- | | | | |
|-----------|------------------------------|-----------|-------------------------------|
| A. | Mask body | G. | Inhalation valve |
| B. | Visor, PC or glass | H. | Adapter |
| C. | Head harness | I. | Filters (not included) |
| D. | Exhalation valve seat | J. | Pre-filter |
| E. | Exhalation membrane | K. | Pre-filter holder |
| F. | Protective cap | | |



Sundström Safety AB

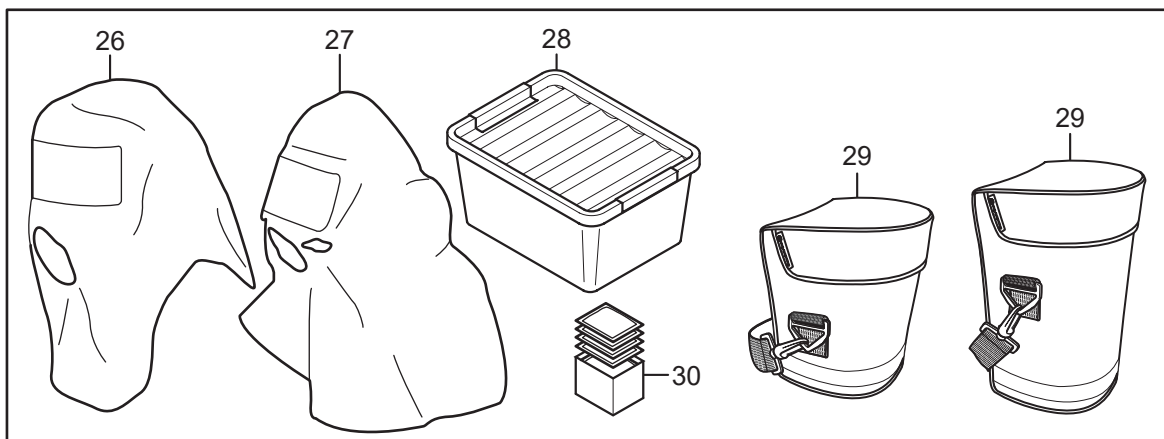
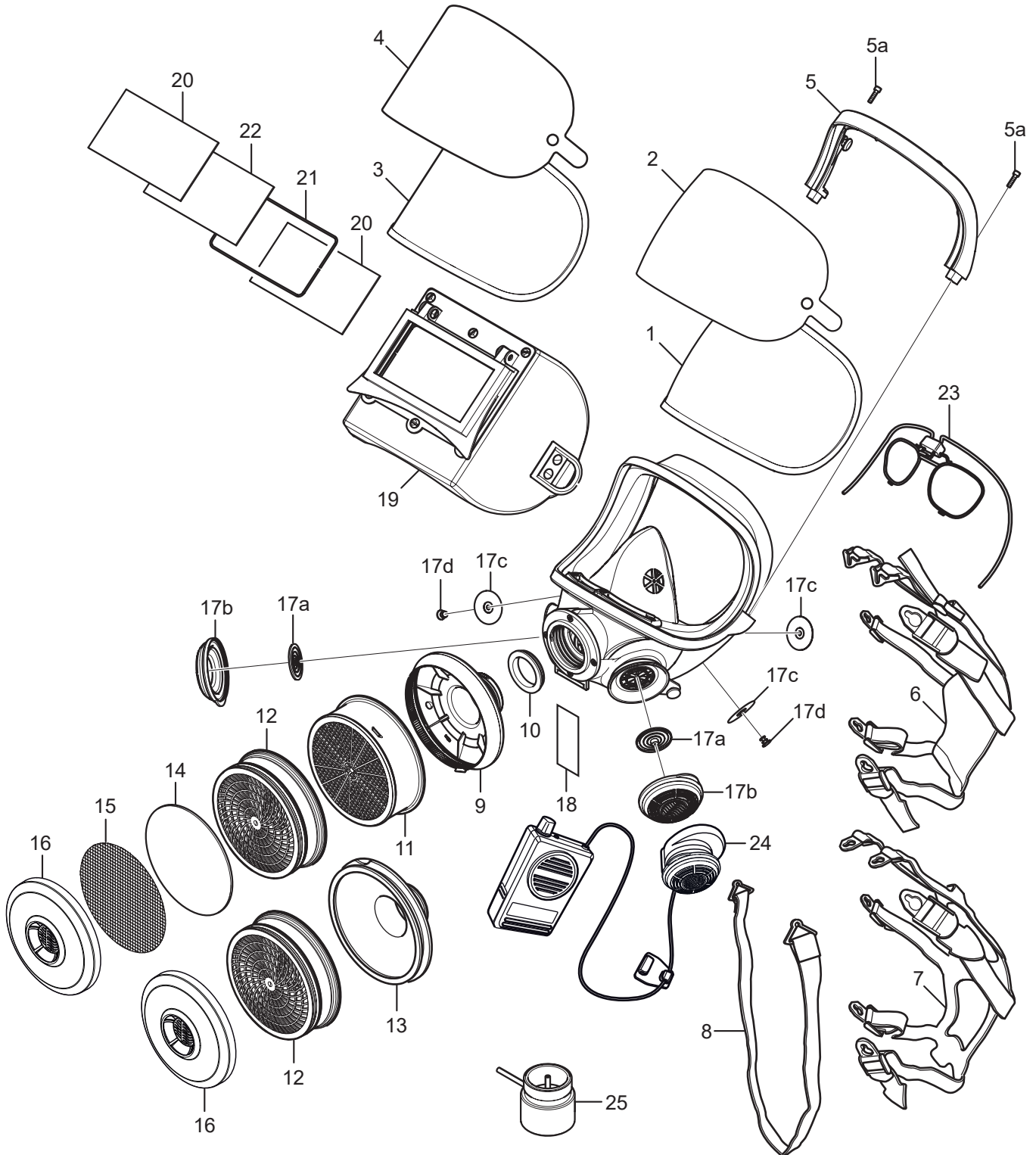
Tel: +46 10 484 87 00
Västergatan 4
SE-341 50 Lagan

Sundström
www.srsafety.com

SR 200

EN

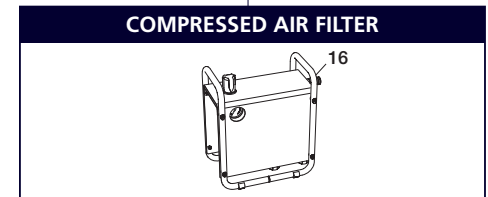
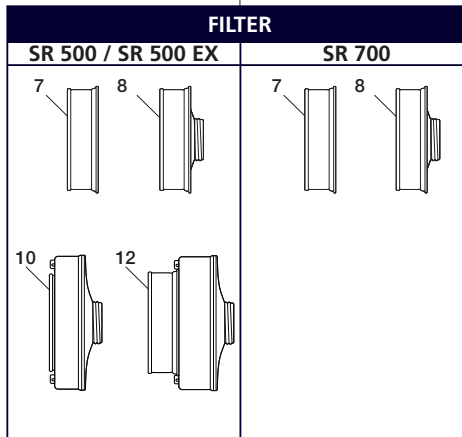
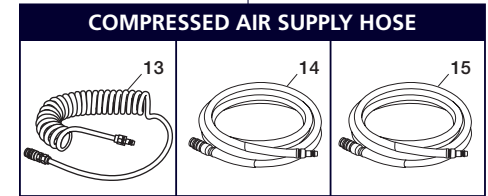
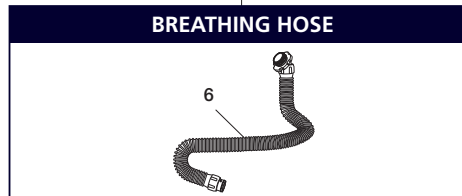
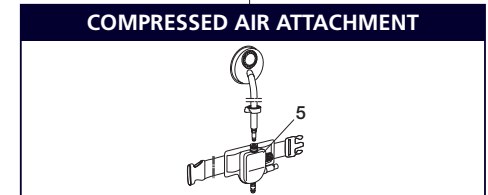
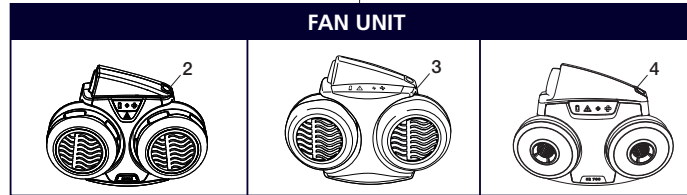
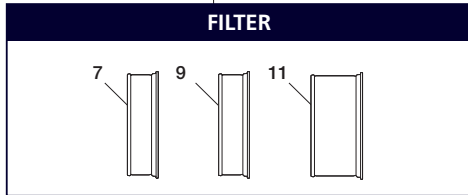
Spare parts / Accessories



No.	Description	Ordering No.
1.	PC-visor SR 366 (polycarbonate)	R01-1201
2.	Peel-offs SR 343 for PC-visor	T01-1204
3.	Glass visor SR 365 (laminated glass)	T01-1203
4.	Peel-offs SR 353 for glass visor	T01-1205
5.	Upper frame half	R01-1202
5a.	Screw x2	-
6.	Head harness, fabric	R01-1203
7.	Head harness, rubber SR 340	T01-1215
8.	Carrier strap	R01-1206
9.	Filter adapter SR 280-3	H09-0212
10.	Seal	R01-1205
11.	Gas filter (SR 217 A1, SR 218 A2, SR 315 ABE1, SR 294 ABE2, SR 297 ABEK1, SR 298 AX, SR 215 K1, SR 295 K2, SR 299-2 ABEK-Hg-P3)	-
12.	Particle filter SR 510 P3 R	H02-1312
13.	Particle filter adapter SR 611	T01-1223
14.	Pre-filter SR 221	H02-0312
15.	Steel net disc SR 336	T01-2001
16.	Pre-filter holder	R01-0605
17.	Set of membranes	R01-1204
17a.	Exhalation x2	-
17b.	Valve covers x2	-
17c.	Inhalation x3	-
17d.	Dowels x2	-
18.	Name label SR 368	R09-0101
19.	Welding cassette SR 84	T01-1212
20.	Protective lens	R03-0507
21.	Retaining clip	R03-0518
22.	Welding lens EN 10 60x110	R03-0510
	Welding lens EN 11 60x110	R03-0511
	Welding lens EN 12 60x110	R03-0512
23.	Spectacle frame SR 341	T01-1201
24.	Small talk/Voice amplifier SR 324	T01-1217
25.	Test adapter SR 370	T01-1206
26.	Protective hood SR 64	H09-0301
27.	Protective hood short SR 345	H09-1012
	Protective hood long SR 346	H09-1112
28.	Storage box SR 344	T01-1214
29.	Storage bag 4.5 l SR 339-1	H09-0113
	Storage bag 6.3 l SR 339-2	H09-0114
30.	Cleaning tissue SR 5226. Box of 50.	H09-0401

SR 200

SYSTEM OVERVIEW



No.	Description	Model No.	Art No.
1.	Full face mask, PC visor Full face mask, glass visor	SR 200 SR 200	H01-1212 H01-1312
2.	Fan unit	SR 500	H06-0112
3.	Fan unit	SR 500 EX	H06-2012
4.	Fan unit	SR 700	H06-7010
5.	Compressed air attachment	SR 307	H03-1412
6.	Breathing hose, PU, 0.9 m Breathing hose, PU, 1.0 m Breathing hose, rubber, 0.7 m Breathing hose, rubber, 0.9 m	SR 550 SR 550 SR 551 SR 551	T01-1216 T01-1220 T01-1218 T01-1221
7.	Particle filter P3 R	SR 510	H02-1312
8.	Particle filter P3 R	SR 710	H02-1512
9.	Gas filter A1 Gas filter A2 Gas filter AX Gas filter ABE1 Gas filter ABE2 Gas filter K1 Gas filter K2 Gas filter ABEK1	SR 217 SR 218 SR 298 SR 315 SR 294 SR 316 SR 295 SR 297	H02-2512 H02-2012 H02-2412 H02-3212 H02-3312 H02-4213 H02-4312 H02-5312
10.	Gas filter A2 Gas filter ABE1 Gas filter A1BE2K1	SR 518 SR 515 SR 597	H02-7012 H02-7112 H02-7212
11.	Combined filter ABEK1-Hg-P3 R	SR 299-2	H02-6512
12.	Combined filter A1BE2K1-Hg-P3 R	SR 599	H02-7312
13.	Hose	SR 360	H03-34XX
14.	Hose	SR 358	H03-30XX
15.	Hose	SR 359	H03-31XX
16.	Compressed air filter	SR 99-1	H03-2810