

Product leaflet

Product
Helmet with visor

Model No.
SR 580

Ordering No.
H06-8012

Product Description

The SR 580 together with the battery-powered SR 500, SR 500 EX or SR 700 fan and approved filters are included in the Sundström fan-assisted respiratory protection device systems. The breathing hose of the helmet with visor is to be connected to the fan, equipped with filters. The pressure generated in the visor prevents particles and other pollutants from entering the breathing zone.

The SR 580 can also be used with the SR 507 compressed air equipment. This combination forms a breathing apparatus designed for continuous air flow, for connection to a compressed air supply. See separate product leaflet SR 507.

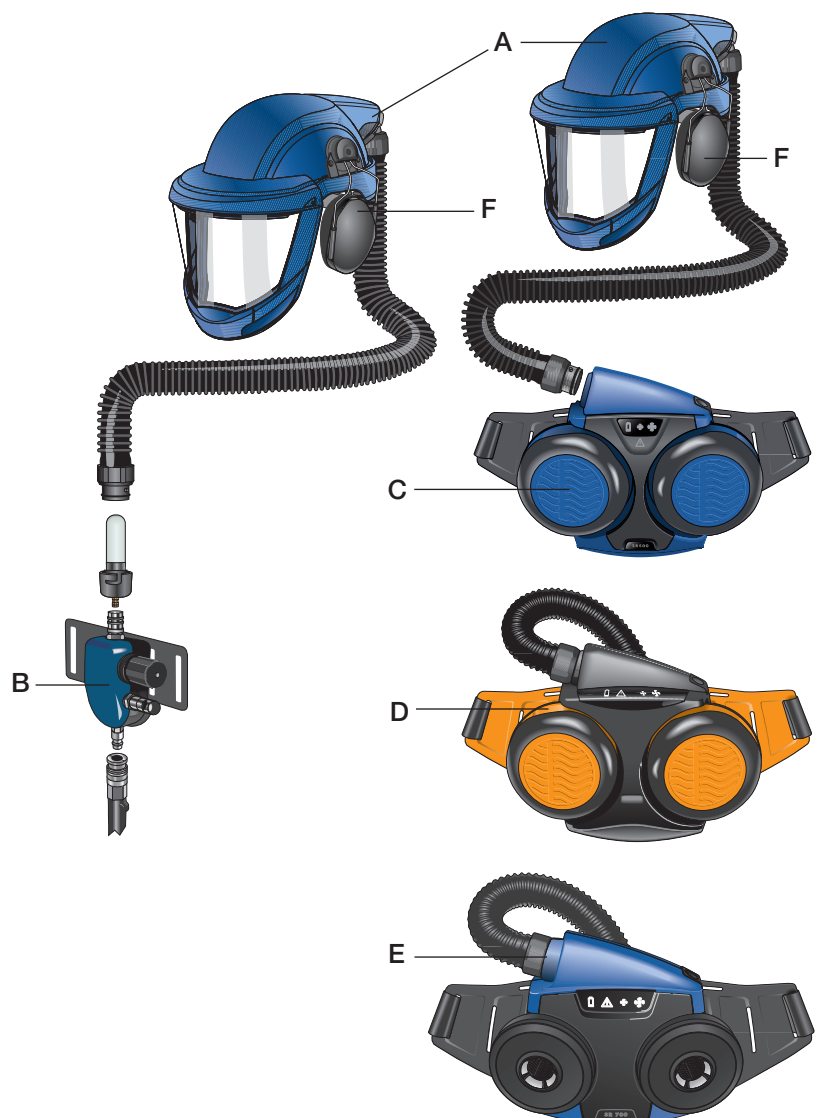
The equipment can be used as an alternative to filter respirators in all situations for which filter respirators are recommended. This applies particularly to work that is hard, warm or of long duration.

The characteristics of the SR 580 helmet with visor are as follows:

Protects the breathing zone and the head • Hinged visor unit • PC visor and visor frame protects from high speed particles 120 m/s, liquid splashes and molten metal • The supply air flow keeps the visor demisted • Adjustable head harness • Replaceable breathing air hose • Equipped with an exhalation valve • Optional peel-offs • Available in one size. • Standard fastener for hearing protection

The helmet is approved according to EN 397, -30°C, molten metal splash MM and electrical insulation 440 Vac.

- A. SR 580
- B. SR 507
- C. SR 500
- D. SR 500 EX
- E. SR 700
- F. Hearing protectors



Head Office
Tel: +46 10 484 87 00

Visiting address:
Stockholmsvägen 33
SE-181 33 Lidingö

Factory
Tel: +46 10 484 87 00

Visiting address:
Västergatan 4
SE-341 50 Lagan

Sundström 
www.srsafety.com


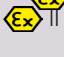
Product leaflet

Product
Helmet with visor

Model No.
SR 580

Ordering No.
H06-8012

Technical specification


	SR 580+SR 500/ SR 500 EX/SR 700	EN 12941:1998 + A2:2008	SR 580+SR 507	EN 14594:2005
Working pressure	-	-	5–7 bar	≤ 10 bar
Air flow rate	175-240 l/min (SR 500) 175-225 l/min (SR 500 EX / SR 700)	≥ 120 l/min	175–260 l/min	-
Service temperature	-10 – +55°C, < 90 % RH	-	-10 – +55°C, < 90 % RH	-
Storage temperature	-20 – +40°C, < 90 % RH	-	-20 – +40°C, < 90 % RH	-
Low flow warning level	< 175 l/min	≤ 175 l/min	< 175 l/min	≤ 175 l/min
Weight with breathing hose	≈ 875 g	≤ 1,500 g	≈ 875 g	≤ 1,500 g
Assigned Protection Factor¹	40 (TH3)	-	40 (3A,3B)	-
Nominal Protection Factor²	500 (TH3)	-	200 (3A,3B)	-
Approvals	Directive	Standards	Classification/markings	
	PPE89/686/EEG	EN 12941:1998 + A2:2008, EN 14594:2005, EN 166, EN 352-3, EN 397	TH3, 3A3B	
	ATEX 2014/34/EU	EN 60079-0:2012, EN 60079-11:2012, EN 13463-1:2009	 II 2 G Ex ib IIA T3 Gb ³⁾  II 2 D Ex ib IIIC T195°C Db ³⁾ Ex ib IIA T3 Gb ³⁾ Ex ib IIIC T195°C Db ³⁾	
	IECEx Scheme	IEC 60079-0:2011, IEC 60079-11:2011		

1) Specified in BS 4275 and applies regardless of the test results.

2) According to EN 529:2005.

3) Together with fan SR 500 EX.

Key to ATEX marking

	Explosion protection mark.
II	Equipment group (explosive atmospheres other than mines with fire damp).
2 G	Equipment category (2 = High level of protection for Zone 1, G = Gas).
2 D	Equipment category (2 = High level of protection for Zone 21, D = Dust).
Ex	Explosion protected.
ib	Type of protection (Intrinsic safety).
IIA	Gas group (Propane).
IIIC	Dust material group (zone with conductive dust).
T3	Temperature class, gas (maximum surface temperature +200°C).
T195°C	Temperature class, dust (maximum surface temperature +195°C).
Gb	Equipment Protection Level, gas (high protection).
Db	Equipment Protection Level, dust (high protection).

Key to IECEx marking

Ex	Explosion protected.
ib	Type of protection (Intrinsic safety).
IIA	Gas group (Propane).
IIIC	Dust material group (zone with conductive dust).
T3	Temperature class, gas (maximum surface temperature +200°C).
T195°C	Temperature class, dust (maximum surface temperature +195°C).
Gb	Equipment Protection Level, gas (high protection).
Db	Equipment Protection Level, dust (high protection).

Approved hearing protectors to SR 580:

Bilsom	Thunder	TH1s TH2s
	Clarity	C3H
	Electo	HF
	Impact	HF
	Leightning	L1Hs
Peltor	L3Hs	
	Optime I	H510P3
	Optime II	H520P3
	Optime III	H540P3
Hellberg	H31	H31p3 8K 10K 12K
	MSA Sordin	Type 2 Low Type 2 Medium Type 2 High



Head Office

Tel: +46 10 484 87 00

Visiting address:
Stockholmsvägen 33
SE-181 33 Lidingö

Factory

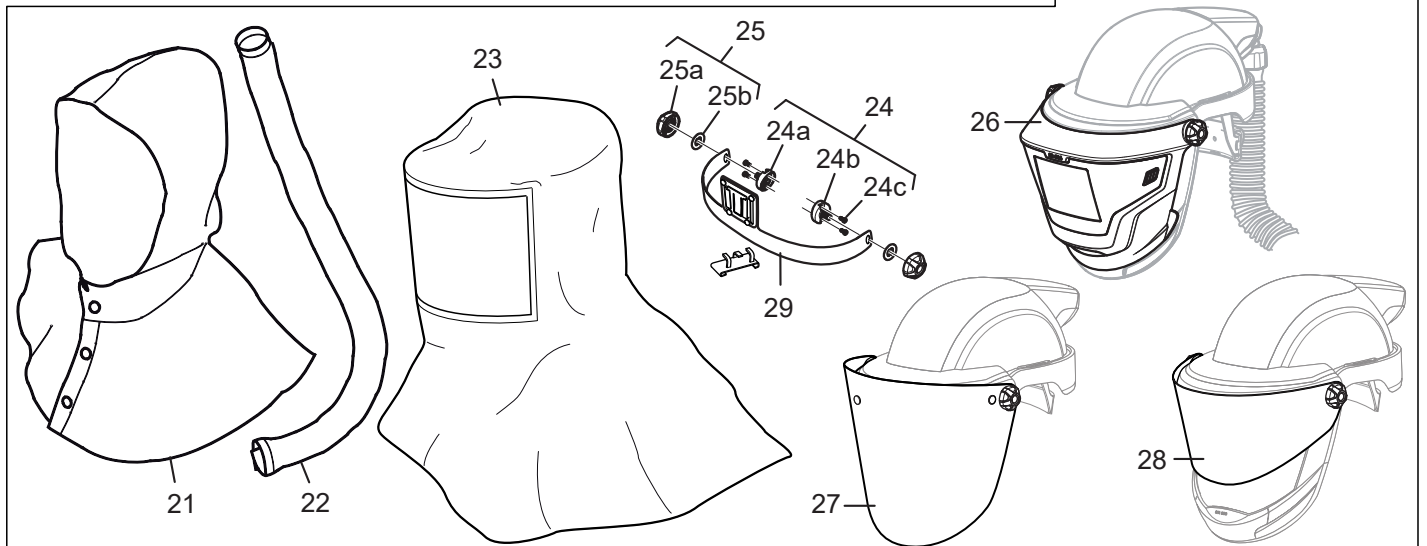
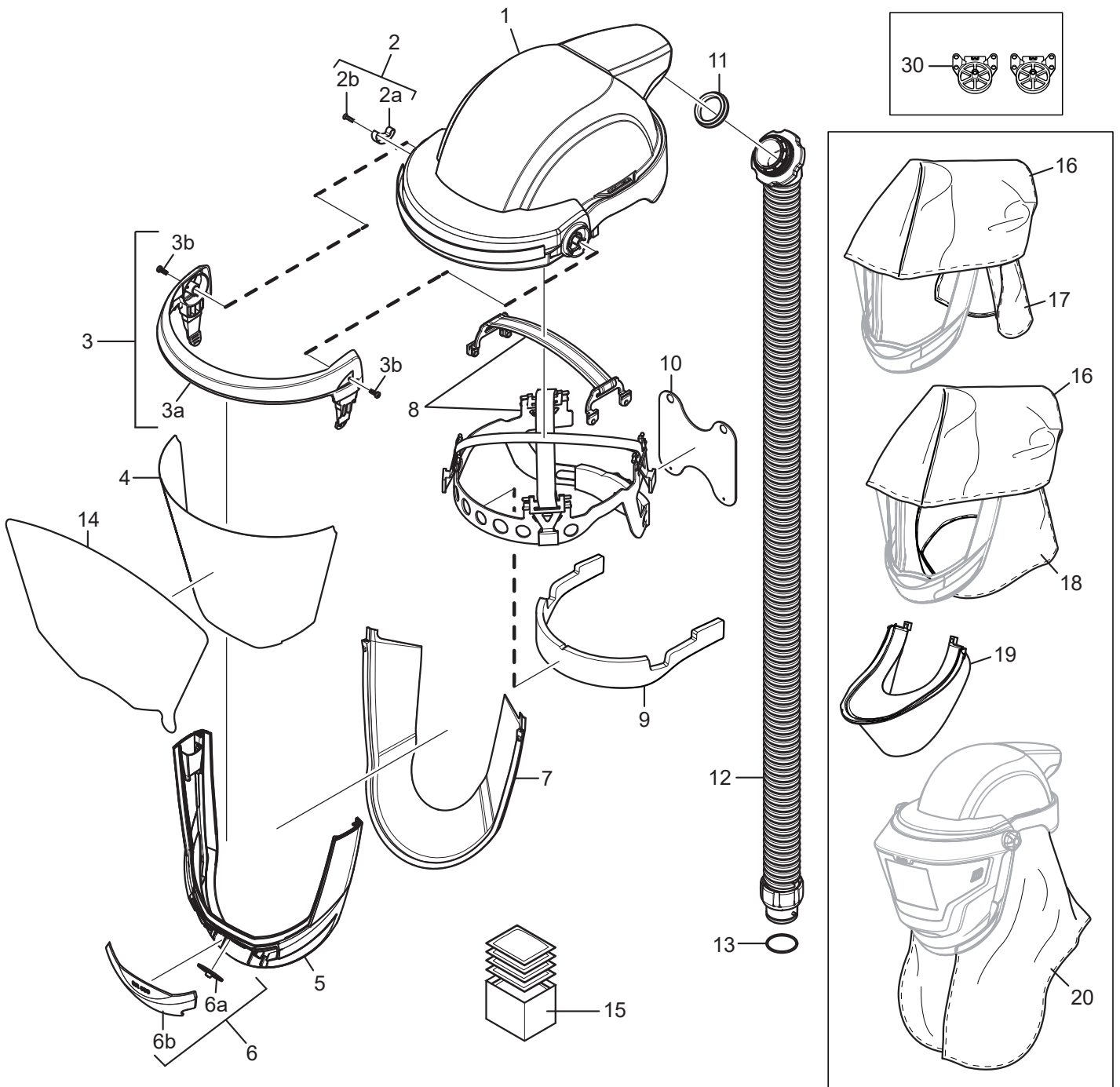
Tel: +46 10 484 87 00

Visiting address:
Västergatan 4
SE-341 50 Lagan

SR 580

EN

Spare parts / Accessories



No.	Description	Ordering No.
1.	Helmet, incl. air duct	R06-0801
2.	Leaf spring with screw	R06-0806
2a.	Leaf spring	-
2b.	Screw	-
3.	Upper frame set	R06-0802
3a.	Upper frame	-
3b.	Screw	-
4.	Visor, PC	R06-0808
5.	Lower frame set	R06-0803
6.	Set of valves	R06-0807
6a.	Membrane	-
6b.	Cover exhalation valve	-
7.	Face seal	R06-0805
8.	Head harness	R06-0804
9.	Sweatband	R06-0809
10.	Neck comfort band	T06-0803
11.	Gasket	R01-1205
12.	Breathing hose	R06-0810
13.	O-ring	R06-0202
14.	Peel of set SR 582	T06-0801
15.	Cleaning wipes. 50/box	H09-0401
16.	Heat protection, helmet	R06-0813
17.	Heat protection, neck	R06-0814
18.	Heat protection, neck and throat	R06-0815
19.	Face seal	T06-8012
20.	Neck and chest protection	T06-8011
21.	Protective hood, SR 59018	T06-4014
22.	Protective hose for the breathing hose Hose protection, PE	T06-4016 T06-0121
23.	Tyvek Hood SR 586	T06-0806
24.	Adapter R + L	R06-0820
24a.	Adapter R x1	-
24b.	Adapter L x1	-
24c.	Screw x4	-
25.	Knob complete	R06-0821
25a.	Knob x2	-
25b.	Washer x2	-
26.	Welding shield SR 584 <i>Note! R06-0820 and R06-0821 are required</i>	T06-8010
27.	Gold plated visor, EN 5, SR 587 Gold plated visor, EN 4, SR 587 <i>Note! R06-0820 and R06-0821 are required</i>	R06-0824 R06-0829
28.	Visor 2/3, EN 3, SR 588-1 Visor 2/3, EN 5, SR 588-2 <i>Note! R06-0820 and R06-0821 are required</i>	R06-0825 R06-0826
29.	Lamp bracket	R06-0828
30.	Bottom board for earmuffs	R06-0827