

Product leaflet

Product
Helmet with visor

Model No.
SR 580

Ordering No.
H06-8012

Product Description

The SR 580 together with the battery-powered SR 500, SR 500 EX or SR 700 fan and approved filters are included in the Sundström fan-assisted respiratory protection device systems. The breathing hose of the helmet with visor is to be connected to the fan, equipped with filters. The pressure generated in the visor prevents particles and other pollutants from entering the breathing zone.

The SR 580 can also be used with the SR 507 compressed air equipment. This combination forms a breathing apparatus designed for continuous air flow, for connection to a compressed air supply. See separate product leaflet SR 507.

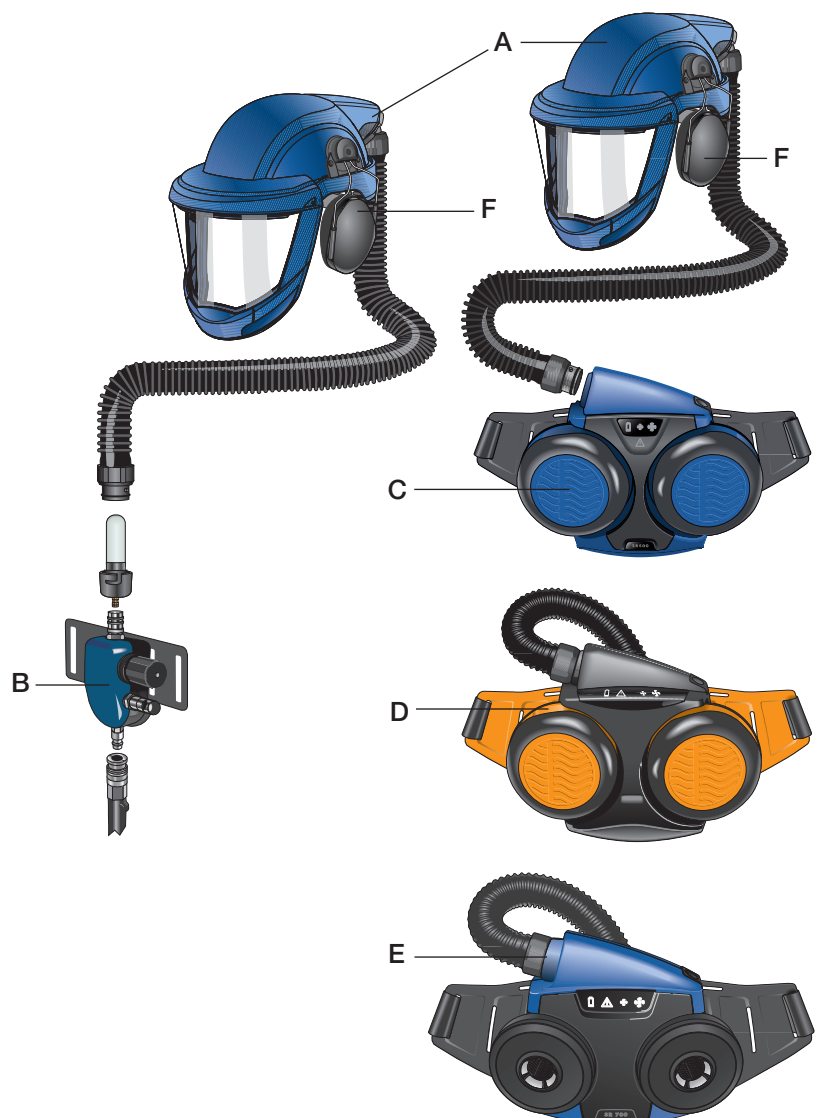
The equipment can be used as an alternative to filter respirators in all situations for which filter respirators are recommended. This applies particularly to work that is hard, warm or of long duration.

The characteristics of the SR 580 helmet with visor are as follows:

Protects the breathing zone and the head • Hinged visor unit • PC visor and visor frame protects from high speed particles 120 m/s, liquid splashes and molten metal • The supply air flow keeps the visor demisted • Adjustable head harness • Replaceable breathing air hose • Equipped with an exhalation valve • Optional peel-offs • Available in one size. • Standard fastener for hearing protection

The helmet is approved according to EN 397, -30°C, molten metal splash MM and electrical insulation 440 Vac.

- A. SR 580
- B. SR 507
- C. SR 500
- D. SR 500 EX
- E. SR 700
- F. Hearing protectors



Head Office
Tel: +46 10 484 87 00

Visiting address:
Stockholmsvägen 33
SE-181 33 Lidingö

Factory
Tel: +46 10 484 87 00

Visiting address:
Västergatan 4
SE-341 50 Lagan

Sundström
www.srsafety.com


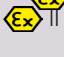
Product leaflet

Product
Helmet with visor

Model No.
SR 580

Ordering No.
H06-8012

Technical specification


	SR 580+SR 500/ SR 500 EX/SR 700	EN 12941:1998 + A2:2008	SR 580+SR 507	EN 14594:2005
Working pressure	-	-	5–7 bar	≤ 10 bar
Air flow rate	175-240 l/min (SR 500) 175-225 l/min (SR 500 EX / SR 700)	≥ 120 l/min	175–260 l/min	-
Service temperature	-10 – +55°C, < 90 % RH	-	-10 – +55°C, < 90 % RH	-
Storage temperature	-20 – +40°C, < 90 % RH	-	-20 – +40°C, < 90 % RH	-
Low flow warning level	< 175 l/min	≤ 175 l/min	< 175 l/min	≤ 175 l/min
Weight with breathing hose	≈ 875 g	≤ 1,500 g	≈ 875 g	≤ 1,500 g
Assigned Protection Factor¹	40 (TH3)	-	40 (3A,3B)	-
Nominal Protection Factor²	500 (TH3)	-	200 (3A,3B)	-
Approvals	Directive	Standards	Classification/markings	
	PPE89/686/EEG	EN 12941:1998 + A2:2008, EN 14594:2005, EN 166, EN 352-3, EN 397	TH3, 3A3B	
	ATEX 2014/34/EU	EN 60079-0:2012, EN 60079-11:2012, EN 13463-1:2009	 II 2 G Ex ib IIA T3 Gb ³⁾  II 2 D Ex ib IIIC T195°C Db ³⁾ Ex ib IIA T3 Gb ³⁾ Ex ib IIIC T195°C Db ³⁾	
	IECEx Scheme	IEC 60079-0:2011, IEC 60079-11:2011		

1) Specified in BS 4275 and applies regardless of the test results.

2) According to EN 529:2005.

3) Together with fan SR 500 EX.

Key to ATEX marking

	Explosion protection mark.
II	Equipment group (explosive atmospheres other than mines with fire damp).
2 G	Equipment category (2 = High level of protection for Zone 1, G = Gas).
2 D	Equipment category (2 = High level of protection for Zone 21, D = Dust).
Ex	Explosion protected.
ib	Type of protection (Intrinsic safety).
IIA	Gas group (Propane).
IIIC	Dust material group (zone with conductive dust).
T3	Temperature class, gas (maximum surface temperature +200°C).
T195°C	Temperature class, dust (maximum surface temperature +195°C).
Gb	Equipment Protection Level, gas (high protection).
Db	Equipment Protection Level, dust (high protection).

Key to IECEx marking

Ex	Explosion protected.
ib	Type of protection (Intrinsic safety).
IIA	Gas group (Propane).
IIIC	Dust material group (zone with conductive dust).
T3	Temperature class, gas (maximum surface temperature +200°C).
T195°C	Temperature class, dust (maximum surface temperature +195°C).
Gb	Equipment Protection Level, gas (high protection).
Db	Equipment Protection Level, dust (high protection).

Approved hearing protectors to SR 580:

Bilsom	Thunder	TH1s TH2s
	Clarity	C3H
	Electo	HF
	Impact	HF
	Leightning	L1Hs
Peltor	L3Hs	
	Optime I	H510P3
	Optime II	H520P3
	Optime III	H540P3
Hellberg	H31	H31p3 8K 10K 12K
	MSA Sordin	Type 2 Low Type 2 Medium Type 2 High



Head Office

Tel: +46 10 484 87 00

Visiting address:
Stockholmsvägen 33
SE-181 33 Lidingö

Factory

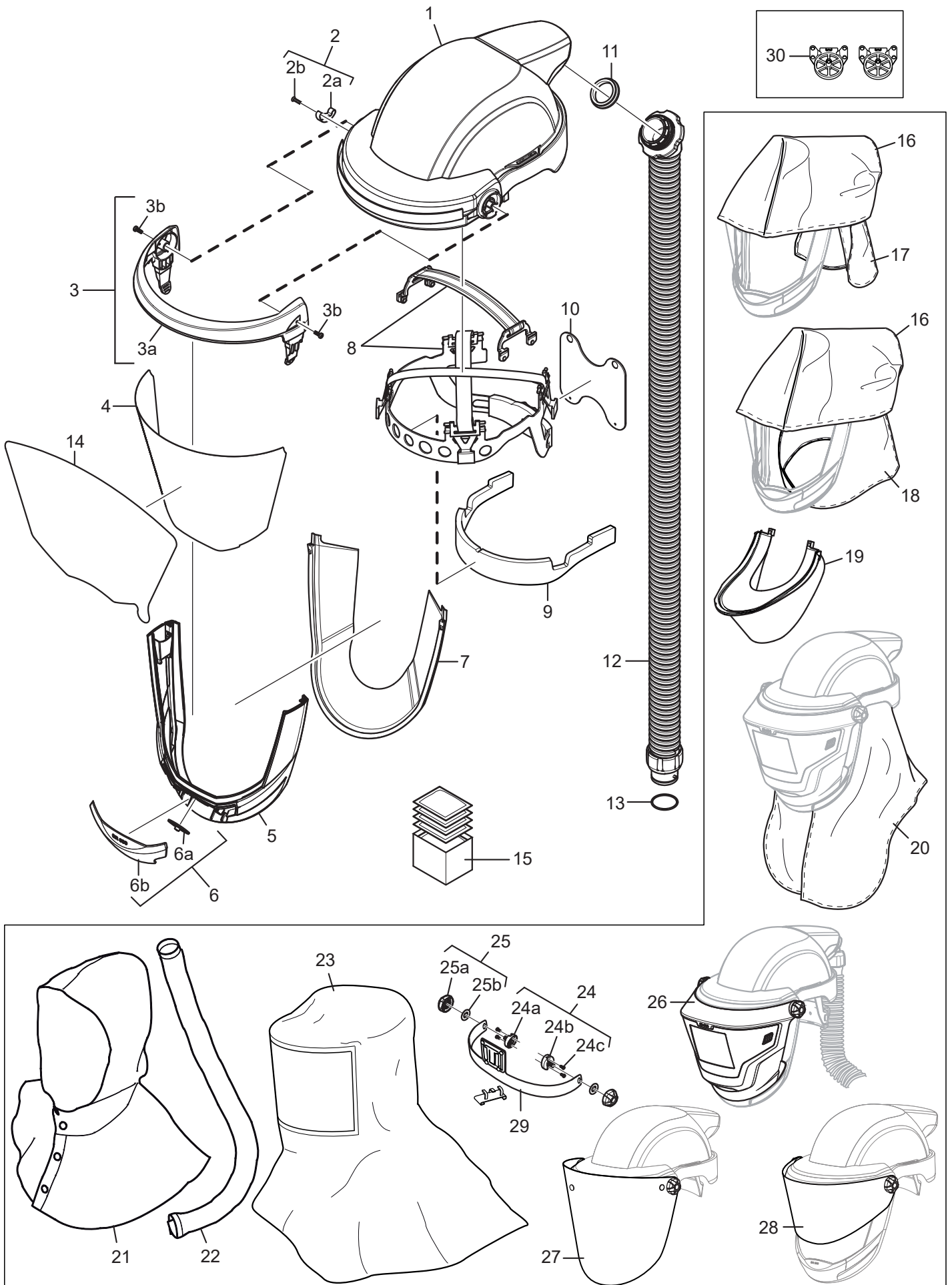
Tel: +46 10 484 87 00

Visiting address:
Västergatan 4
SE-341 50 Lagan

SR 580

EN

Spare parts / Accessories



No.	Description	Ordering No.
1.	Helmet, incl. air duct	R06-0801
2.	Leaf spring with screw	R06-0806
2a.	Leaf spring	-
2b.	Screw	-
3.	Upper frame set	R06-0802
3a.	Upper frame	-
3b.	Screw	-
4.	Visor, PC	R06-0808
5.	Lower frame set	R06-0803
6.	Set of valves	R06-0807
6a.	Membrane	-
6b.	Cover exhalation valve	-
7.	Face seal	R06-0805
8.	Head harness	R06-0804
9.	Sweatband	R06-0809
10.	Neck comfort band	T06-0803
11.	Gasket	R01-1205
12.	Breathing hose	R06-0810
13.	O-ring	R06-0202
14.	Peel of set SR 582	T06-0801
15.	Cleaning wipes. 50/box	H09-0401
16.	Heat protection, helmet	R06-0813
17.	Heat protection, neck	R06-0814
18.	Heat protection, neck and throat	R06-0815
19.	Face seal	T06-8012
20.	Neck and chest protection	T06-8011
21.	Protective hood, SR 59018	T06-4014
22.	Protective hose for the breathing hose Hose protection, PE	T06-4016 T06-0121
23.	Tyvek Hood SR 586	T06-0806
24.	Adapter R + L	R06-0820
24a.	Adapter R x1	-
24b.	Adapter L x1	-
24c.	Screw x4	-
25.	Knob complete	R06-0821
25a.	Knob x2	-
25b.	Washer x2	-
26.	Welding shield SR 584 <i>Note! R06-0820 and R06-0821 are required</i>	T06-8010
27.	Gold plated visor, EN 5, SR 587 Gold plated visor, EN 4, SR 587 <i>Note! R06-0820 and R06-0821 are required</i>	R06-0824 R06-0829
28.	Visor 2/3, EN 3, SR 588-1 Visor 2/3, EN 5, SR 588-2 <i>Note! R06-0820 and R06-0821 are required</i>	R06-0825 R06-0826
29.	Lamp bracket	R06-0828
30.	Bottom board for earmuffs	R06-0827

Product leaflet

Product

Welding shield/Helmet with visor

Model No.

SR 584/SR 580

Ordering No.

H06-8310

Product Description

The SR 584 welding shield is intended for use together with the Sundström SR 580 Helmet with visor. Complete helmet with welding shield together with the battery-powered SR 500 or SR 700 fan and approved filters are included in the Sundström fan-assisted respiratory protection device systems. The breathing hose of the helmet with visor is to be connected to the fan, equipped with filters. The overpressure in the helmet's visor prevents particles and other pollutants from being admitted into the breathing zone.

The products can also be used with compressed air attachment SR 507. This combination forms a breathing apparatus designed for continuous air flow, for connection to a compressed air supply. See separate product leaflet SR 507.

The combinations protect against harmful gases/particles, radiation and spatter during welding, flame-cutting, grinding and similar work. The design makes them useful for work in confined and inaccessible areas.

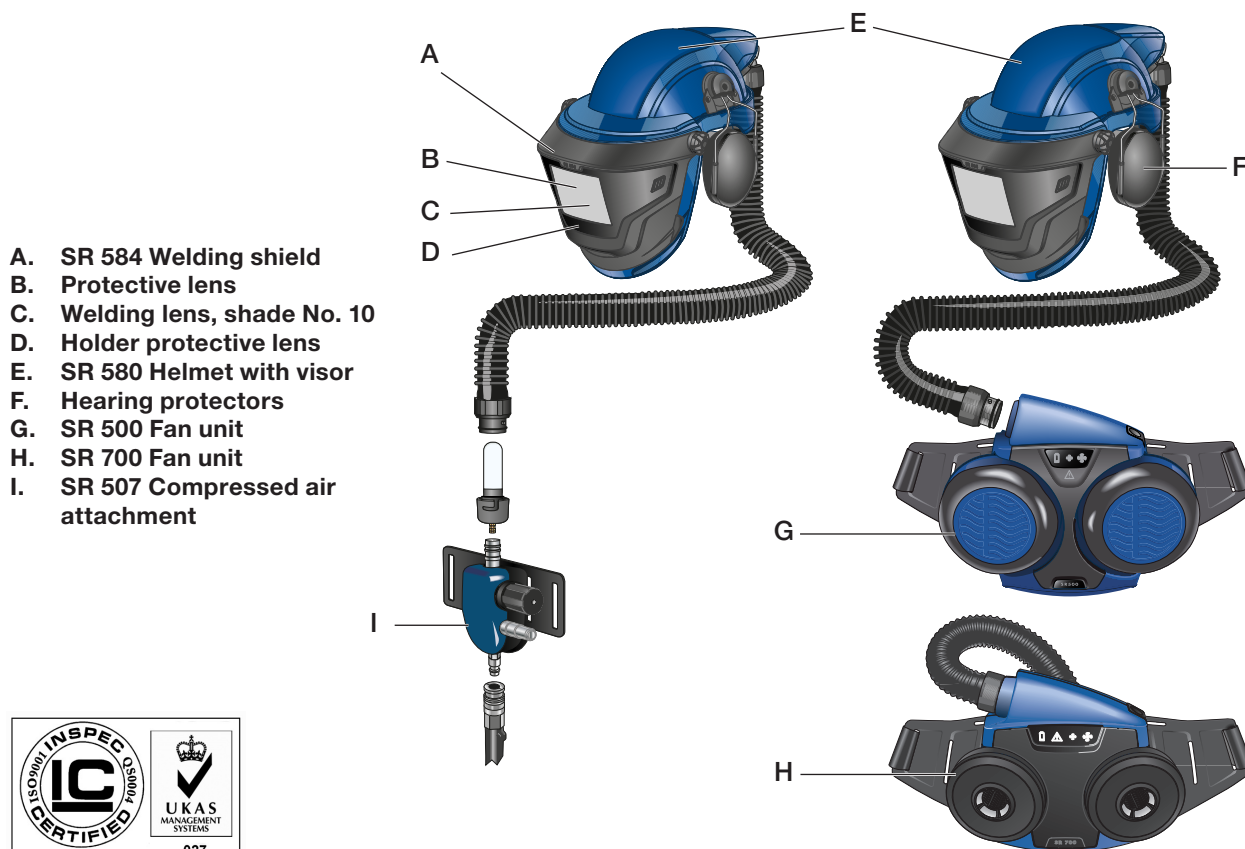
The equipment can be used as an alternative to filter respirators in all situations for which filter respirators are recommended. This applies particularly to work that is hard, warm or of long duration.

Before use, a welding lens with appropriate density must be mounted in the welding shield. The SR 584 is delivered with welding lens with shade number 10 and protective lens in polycarbonate. The lens must be CE marked and of standard 90x110 mm size.

Accessories in the form of automatic welding lenses, correction lenses, neck and chest protection and hose protection.

The SR 584/SR 580 is characterized by the following:

Protects the eyes, respiratory organs and the head • Hinged visor unit • The supply air keeps the visor demisted • Adjustable head harness • Replaceable flexible breathing hose • Accessories in the form of automatic welding lenses, correction lenses, neck and chest protection and hose protection • Supplied with welding lens with shade number 10 • Equipped with an exhalation valve • Standard fastener for hearing protection • The helmet is approved according to EN 397, -30°C, molten metal splash MM and electrical insulation 440Vac



- A. SR 584 Welding shield
- B. Protective lens
- C. Welding lens, shade No. 10
- D. Holder protective lens
- E. SR 580 Helmet with visor
- F. Hearing protectors
- G. SR 500 Fan unit
- H. SR 700 Fan unit
- I. SR 507 Compressed air attachment



Head Office

Tel: +46 10 484 87 00

Visiting address:
Stockholmsvägen 33
SE-181 33 Lidingö

Factory

Tel: +46 10 484 87 00

Visiting address:
Västergatan 4
SE-341 50 Lagan

Product leaflet

Product	Model No.	Ordering No.
Welding shield/Helmet with visor	SR 584/SR 580	H06-8310

Technical specification

	SR 584/SR 580+ SR 500/SR 700	EN 12941:1998 + A2:2008	SR 584/SR 580+ SR 507	EN 14594: 2005
Material SR 584	PA/EPDM		PA/EPDM	
Working pressure	-	-	5-7 bar	≤ 10 bar
Air flow rate	175-240 l/min (SR 500) 175-225 l/min (SR 700)	≥ 120 l/min	175-260 l/min	-
Service temperature	-10 – +55 °C, < 90 % RH	-	-10 – +55 °C, < 90 % RH	-
Storage temperature	-20 – +40 °C, < 90 % RH	-	-20 – +40 °C, < 90 % RH	-
Low flow warning level	< 175 l/min	≤ 175 l/min	< 175 l/min	< 175 l/min
Weight with breathing hose	≈ 1 065 g	≤ 1 500 g	≈ 1 065 g	≤ 1 500 g
Welding lenses	110x90 mm. EN 8 to EN 13	-	110x90 mm. EN 8 to EN 13	-
Automatic welding lenses	Solar cell powered EN 3/10, EN 3/11 and EN 4/9 - 13	-	Solar cell powered EN 3/10, EN 3/11 and EN 4/9 - 13	-
Correction lenses	108x51 mm, 1 - 2,5 dptr	-	108x51 mm, 1 - 2,5 dptr	-
Protective lens	PC, 110x90 mm	-	PC, 110x90 mm	-
Assigned Protection Factor¹	40 (TH3)	-	40 (3A,3B)	-
Nominal Protection Factor²	500 (TH3)	-	200 (3A,3B)	-
Approvals	EN 12941:1998 + A2:2008, EN 166, EN 352-3, EN 397, EN 175:1998	-	EN 14594:2005, 3A3B, EN 166, EN 352-3, EN 397, EN 175:1998	-

1) Specified in BS 4275 and applies regardless of the test results.

2) According to EN 529:2005.



Head Office

Tel: +46 10 484 87 00

Visiting address:
Stockholmsvägen 33
SE-181 33 Lidingö

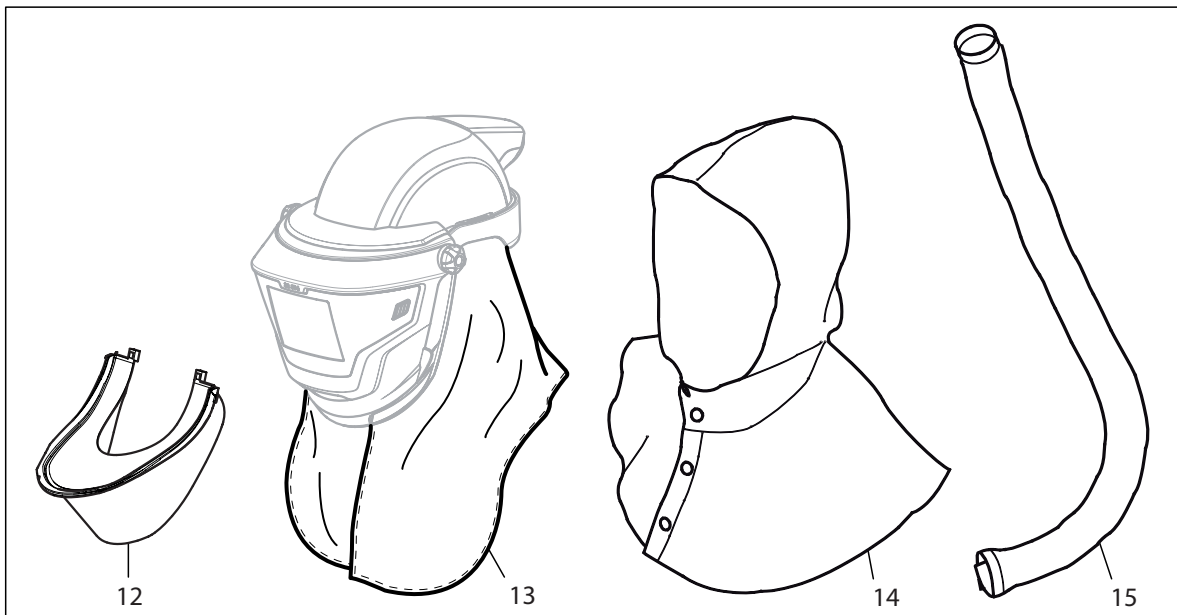
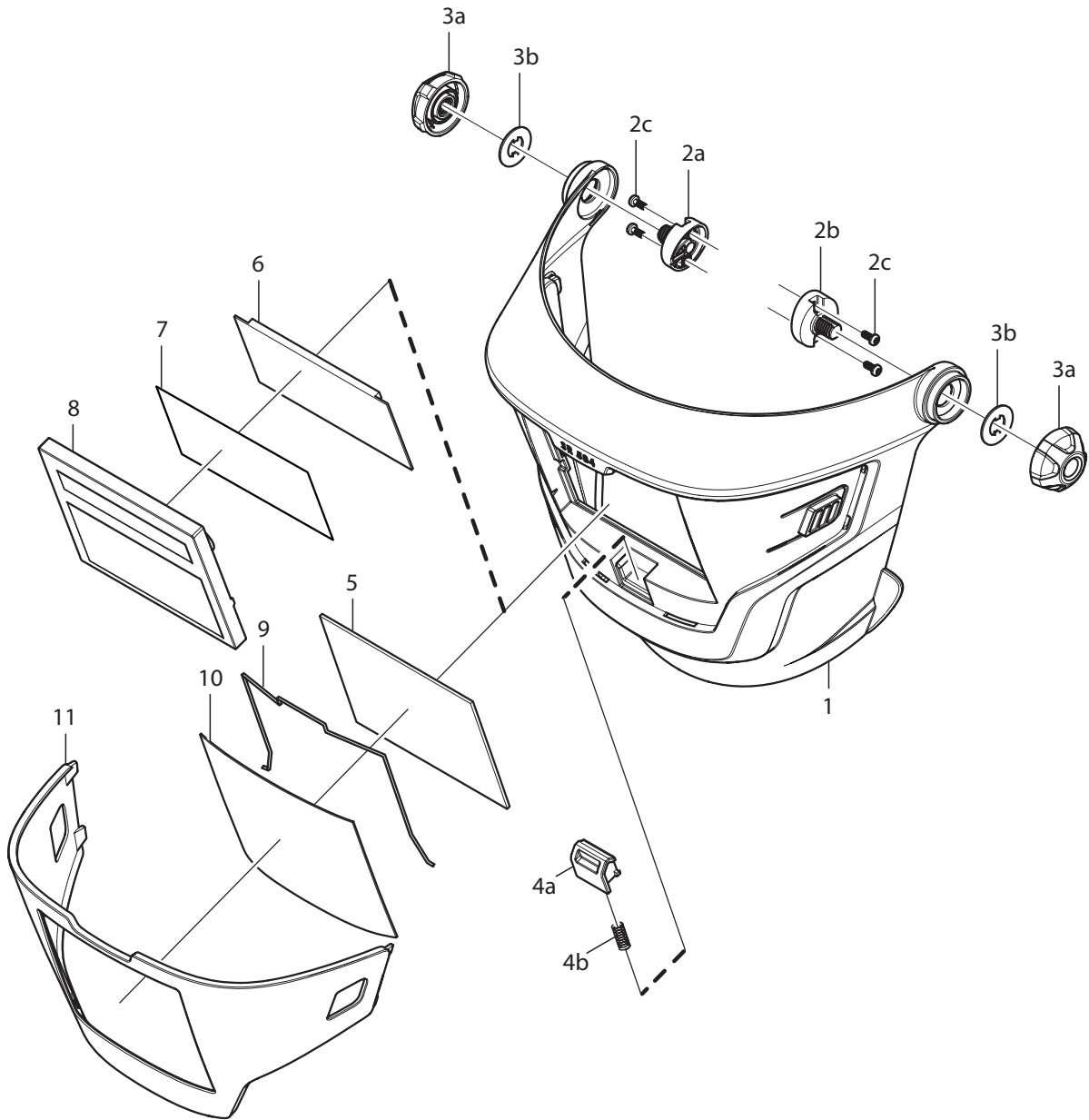
Factory

Tel: +46 10 484 87 00

Visiting address:
Västergatan 4
SE-341 50 Lagan

SR 584

Spare parts / Accessories



No.	Description	Ordering No.
1.	Frame, welding shield	R06-0816
2.	Adapter R+L 2a. Adapter R x1 2b. Adapter L x1 2c. Screw x4	R06-0820
3.	Knob complete Knob x2 Washer x2	R06-0821
4.	Lock device complete 4a. Lock device 4b. Spring	R06-0819
5.	Welding lens, shade No. 8, SR 59008	T06-4001
	Welding lens, shade No. 9, SR 59009	T06-4002
	Welding lens, shade No. 10, SR 59010	T06-4003
	Welding lens, shade No. 11, SR 59011	T06-4004
	Welding lens, shade No. 12, SR 59012	T06-4005
	Welding lens, shade No. 13, SR 59013	T06-4006
6.	Correction lens, dptr 1.0, SR 59014	T06-4010
	Correction lens, dptr 1.5, SR 59015	T06-4011
	Correction lens, dptr 2.0, SR 59016	T06-4012
	Correction lens, dptr 2.5, SR 59017	T06-4013
7.	Inner protective lens for automatic lens	R06-4009
8.	Automatic lens EN 3/10 SR 59005	T06-4007
	Automatic lens EN 3/11 SR 59006	T06-4008
	Automatic lens EN 4/9-13 SR 59007	T06-4009
9.	Spring for welding lens	R06-0818
10.	Protective lens PC	R06-4008
11.	Holder protective lens	R06-0817
12.	Face seal	T06-8012
13.	Neck and chest protection	T06-8011
14.	Protective hood, SR 59018	T06-4014
15.	Protective hose for the breathing hose	T06-4016

Product leaflet

Product Powered air purifying respirator	Model No. SR 500	Ordering No. H06-0112
--	----------------------------	---------------------------------

Product Description

The SR 500 is a battery-powered fan that, together with a filter and an approved head top, is included in the Sundström fan-assisted respiratory protective device systems. The SR 500 can be used as an alternative to filter respirators in all situations in which these are recommended. This applies particularly to work that is hard, warm or of long duration.

The human interface may consist of a hood, face shield, half mask or full face mask. The fan is equipped with a filter, and the filtered air is fed through a hose to the human interface. The pressure then generated prevents surrounding pollutants from penetrating into the mask.

The characteristics of the SR 500 are as follows:

The battery is of lithium-ion type • Two battery alternatives, i.e. STD (Standard 2.2 Ah) and HD (Heavy Duty 3.6 Ah) • The charging time for the Standard battery is around 1.5 hours and for the Heavy Duty battery, about 2 hours • Equipped with two filters/combined filters • Operating time of up to 13 hours • The same control is used for starting, stopping and selection of operating status • Display with symbols • Equipped with automatic air flow control with compensation for air pressure and temperature • Can be used together with hoods SR 520, SR 530, SR 561, SR 562, face shield SR 540, half mask SR 900, full face mask SR 200, welding shield SR 590, helmet with visor SR 580 or welding shield/helmet with visor SR 584/SR 580.

Electronics ingress protection is approved in IP class IP67 according to IEC / EN 60529.

The SR 500 is also available in an explosion-protected version designated the SR 500 EX for use in a potentially explosive atmosphere (ATEX Directive 94/9/EC). See the separate product leaflet.

Technical specification

	SR 500	EN 12941:1998 + A2:2008	EN12942:1998 + A2:2008
Air flow, min/max	175/240 l/min	≥ 120 l/min	-
STD-battery/HD-Battery	14.8V, 2.2 Ah/3.6 Ah	-	-
Operating times at 175/240 l/min:			
P3, STD-battery	8 h (7 h ³)/5 h (4 h ³)	≥ 4 h	≥ 4 h
P3, HD- battery	13 h (12 h ³)/8 h (7 h ³)	≥ 4 h	≥ 4 h
Weight with STD-battery and P3 filter	≈ 1 350 g	≤ 3,500 g	≤ 3,500 g
Service conditions	-10 °C to +55 °C, < 90% RH, 600 to 1200 hPa	-	-
Storage conditions	-20 °C to +40 °C, < 90% RH	-	-
Low flow warning level	< 175 l/min	≤ 175 l/min	≤ 175 l/min
Assigned Protection Factor¹: SR 520, SR 530, SR 540, SR 561/562, SR 580, SR 584, SR 590	40 (TH3)	-	-
Assigned Protection Factor¹ SR 200	40 (TM3)	-	-
Nominal Protection Factor² SR 520, SR 530, SR 540, SR 561/562, SR 580, SR 584, SR 590	500 (TH3)	-	-
Nominal Protection Factor² SR 200	2000 (TM3)	-	-
Approvals	EN 12941:1998 + A2:2008 EN 12942:1998 + A2:2008	-	-

1) Specified in BS 4275 and applies generally to all approved fan-assisted respiratory protective devices, regardless of the test results.

2) According to EN 529:2005.

3) SR 900 + SR 951/SR 952.



Head Office

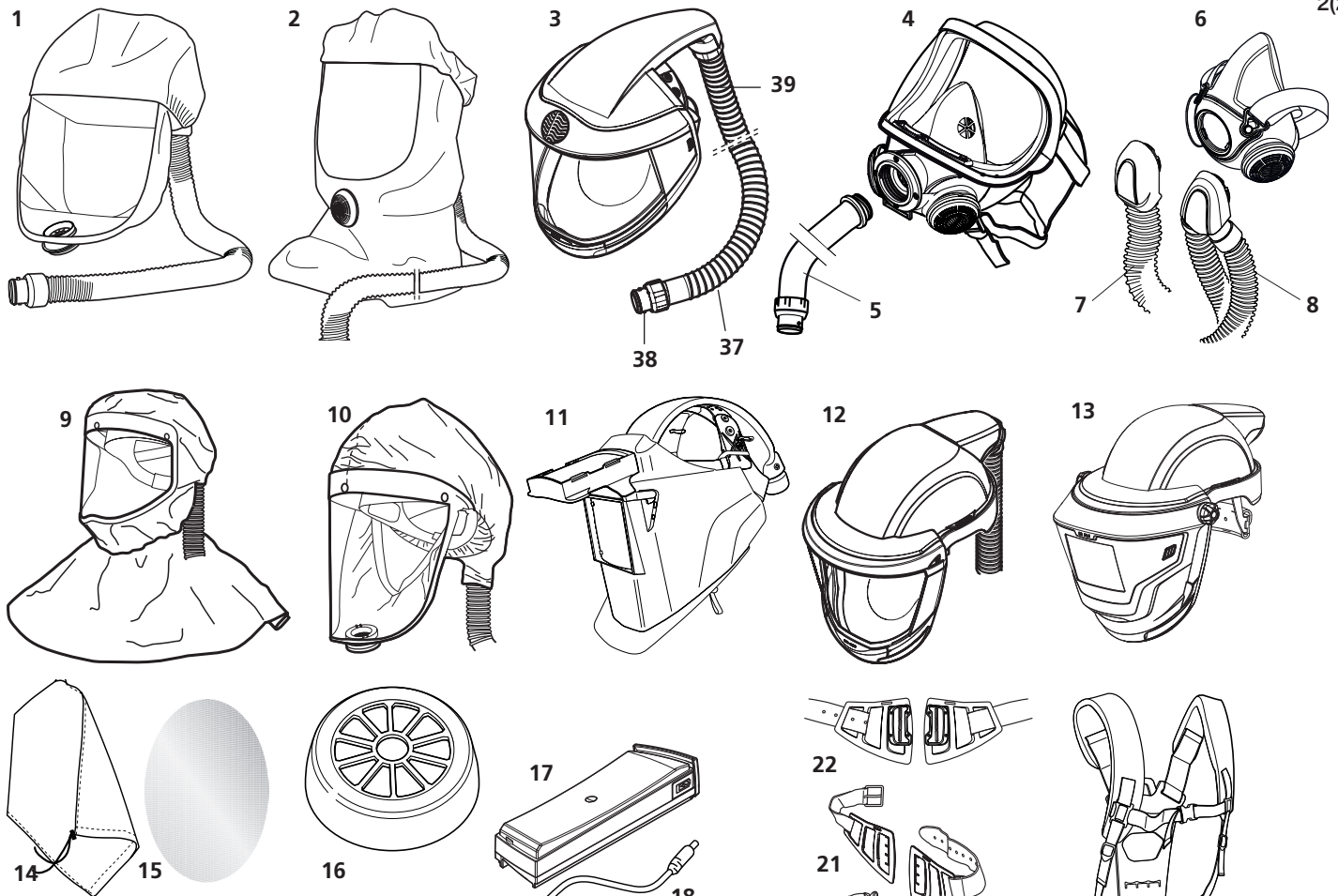
Tel: +46-(0)8-562 370 00
Fax: +46-(0)8-562 370 20

Visiting address:
Stockholmsvägen 33
SE-181 33 Lidingö

Factory

Tel: +46-(0)8-562 370 00
Fax: +46-(0)8-562 370 60

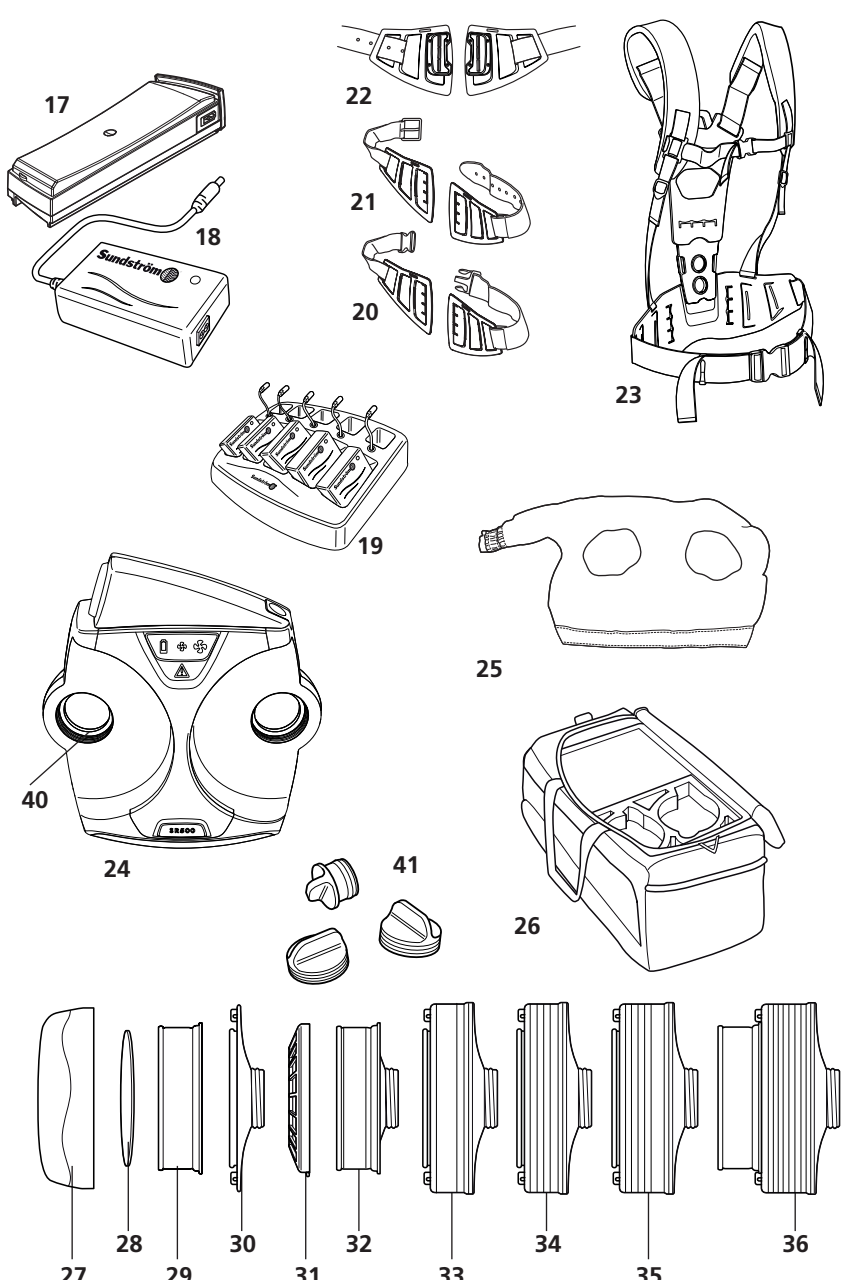
Visiting address:
Västergatan 4
SE-341 50 Lagan



Head-tops, spare parts and accessories

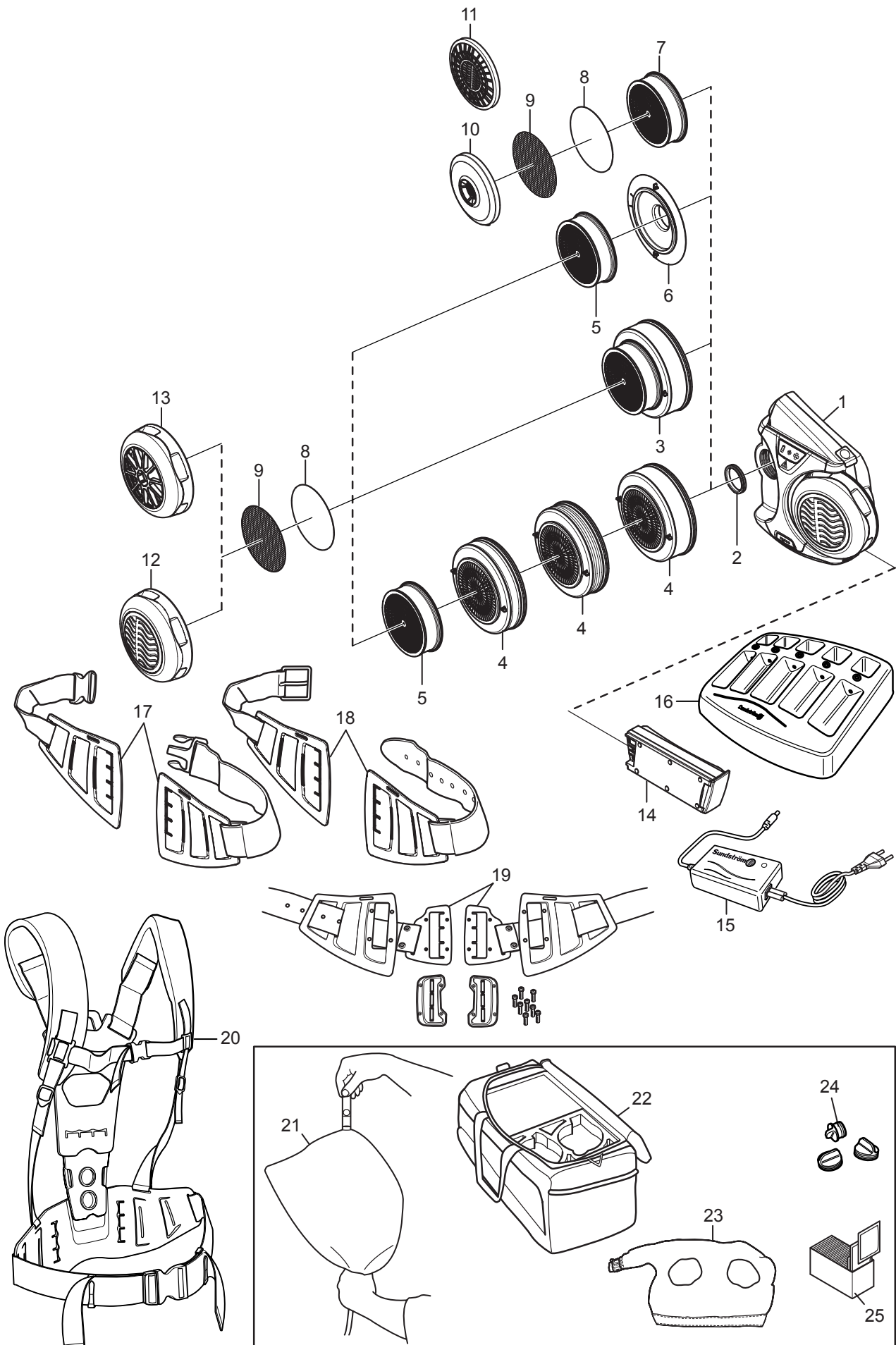
Item

No. Part	Ordering No.
1. Hood SR 520 M/L	H06-0212
1. Hood SR 520 S/M	H06-0312
2. Hood SR 530	H06-0412
3. Face shield SR 540	H06-0512
4. Full face mask SR 200, PC visor	H01-1212
4. Full face mask SR 200, glass visor	H01-1312
5. PU hose SR 550 for SR 200	T01-1216
5. Rubber hose SR 551 for SR 200	T01-1218
6. SR 900 S	H01-3012
6. SR 900 M	H01-3112
6. SR 900 L	H01-3212
7. Hose SR 951	T01-3003
8. Twin hose SR 952	R01-3009
9. Hood SR 561	H06-5012
10. Hood SR 562	H06-5112
11. Welding shield SR 590	H06-4012
12. Helmet with visor SR 580	H06-8012
13. Welding shield/Helmet with visor SR 584/SR 580	H06-8310
14. Flow meter SR 356	R03-0346
15. Steel net disc SR 336	T01-2001
16. Asbestos Kit SR 509	T06-0105
17. Battery SR 501, 2,2 Ah	R06-0108
17. Battery HD SR 502, 3,6 Ah	T06-0101
18. Battery charger SR 513	R06-0103
19. Charging station without chargers SR 506	T06-0108
19. Charging station, complete SR 516	T06-0111
20. Belt SR 508	R06-0101
20. Rubber belt SR 504	T06-0104
21. Leather belt SR 503	T06-0103
22. HD belt SR 553, standard	T06-0119
22. HD belt SR 553, large	T06-0120
23. Harness SR 552	T06-0116
24. Fan SR 500, bare	R06-0110
25. Splash cover SR 514	T06-0114
26. Storage bag SR 505 w two compartments	T06-0102
27. Pre-filter holder SR 512	R06-0106
28. Pre-filter SR 221	H02-0312
29. Particle filter P3 R, SR 510	H02-1312
30. Filter adapter SR 511	R06-0105
31. Pre-filter holder SR 5153 for SR 710	R01-0604
32. Particle filter P3 R, SR 710	H02-1512
33. Gas filter A2, SR 518	H02-7012
34. Gas filter ABE1, SR 515	H02-7112
35. Gas filter A1BE2K1, SR 597	H02-7212
36. Combined filter A1BE2K1-Hg-P3 R, SR 599	H02-7312
37. Hose SR 541 for SR 540	R06-0501
38. O-ring for breathing hose	R06-0202
39. Flat gasket for hose SR 541	R06-0506
40. Gasket for fan	R06-0107
41. Plug kit	R06-0703



SR 500

Spare parts / Accessories



No.	Description	Ordering No.
1.	Fan unit SR 500, bare	R06-0110
2.	Gasket	R06-0107
3.	Combined filter A1BE2K1-Hg-P3 R, SR 599	H02-7312
4.	Gas filter A1BE2K1, SR 597	H02-7212
	Gas filter ABE1, SR 515	H02-7112
	Gas filter A2, SR 518	H02-7012
5.	Particle filter P3 R, SR 510	H02-1312
6.	Filter adapter SR 511	R06-0105
7.	Particle filter P3 R, SR 710	H02-1512
8.	Pre-filter SR 221	H02-0312
9.	Steel net disc SR 336	T01-2001
10.	Pre-filter holder	R01-0605
11.	Pre-filter holder SR 5153	R01-0604
12.	Pre-filter holder SR 512	R06-0106
13.	Asbestos kit SR 509	T06-0105
14.	STD Standard battery, 2,2 Ah	R06-0108
	HD Battery, 3,6 Ah	T06-0101
15.	Battery charger SR 513	R06-0103
16.	Charger stand SR 506	T06-0108
	Charger and chargerstand SR 516	T06-0111
17.	Belt PES SR 508	R06-0101
	Rubber belt SR 504	T06-0104
18.	Leather belt SR 503	T06-0103
19.	HD belt SR 553, standard	T06-0119
	HD belt SR 553, large	T06-0120
20.	Harness SR 552	T06-0116
21.	Flow meter SR 356	R03-0346
22.	Storage bag SR 505	T06-0102
23.	Splash cover SR 514	T06-0114
24.	Plug kit	R06-0703
25.	Cleaning wipes 50/box	H09-0401