



Standards

EN140: 1998 Mask Body
EN14387: 2004 + A1: 2008 A1P3 R D
(suited for organic gases and dust)
EN166 Class 1.B. K.N.
(Anti-Fog & Anti-Scratch)
CE 0194

Efficiency

At 1000 ppm:
P3 >99,95% for 0,3 µm particulate
A1 >70 minutes cyclohexane (C₆H₁₂)

Shelf Live

3 years (mask & filters) See storage conditions on Instructions for Use.
Filters are re-usable and changeable.

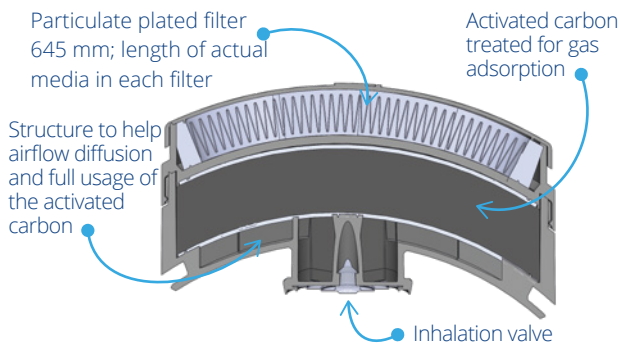
Material

- **Mask:** Medical grade TPE Conforms to ISO 10993-10: 2010 for irritations. Mask body latex and silicone free, odour free. Valve Body in Nylon; Inhalation/Exhalation diaphragm in Silicone. 4 point adjustable elasticated head and neck strap with comfort pad in TPE.
- **Gas Filters:** Activated carbon sealed into a ABS Shell.
- **Particulate filters:** Mechanical type multi-layer HESPA Synthetic media with TPE flexible overmolded / encapsulated. Particulate filters are integrated permanently with the carbon element.
- **Goggle:** Polycarbonate with flow coating overmolded into soft TPE, permanently attached to the mask body by stainless steel clips.

Production

United Kingdom
100% of filters NaCl Tested

Code	Description	Quantity
SPR444 (S/M) SPR4401 (M/L)	A1P3 Elipse Integra complete with A1P3 filters	5 pcs. per box
SPR341	Elipse A1P3 replacement filters	10 sets of 2 pcs. per box
SPM007	Integra case	5 pcs. per box
SPM520	Peel off visor x 10	10 sets per box
SPM414	Portacount Face Fit Kit adaptor	50 sets of 10 pcs. per box



Applications - Organic gases, dust, mist and fumes

Construction

Paint, Moulds.



Car & Ship Repair

Epoxite, Paint, Solvents



Manufacturing

Solvents, various Organic Gases



Agriculture

Pesticides

